

# ASSEMBLY INSTRUCTION

## BRIANNA SUN LOUNGER

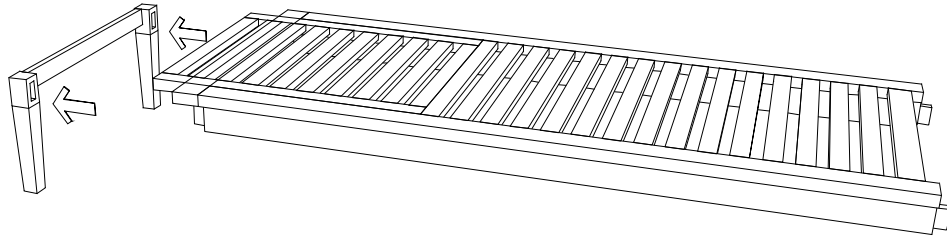


fig 1.

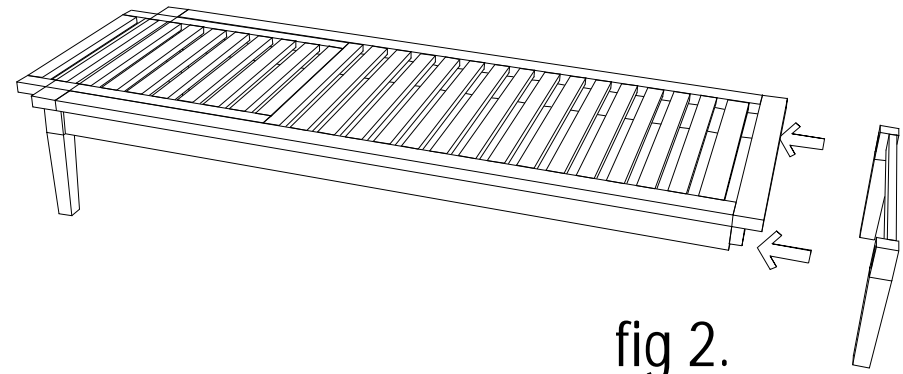


fig 2.

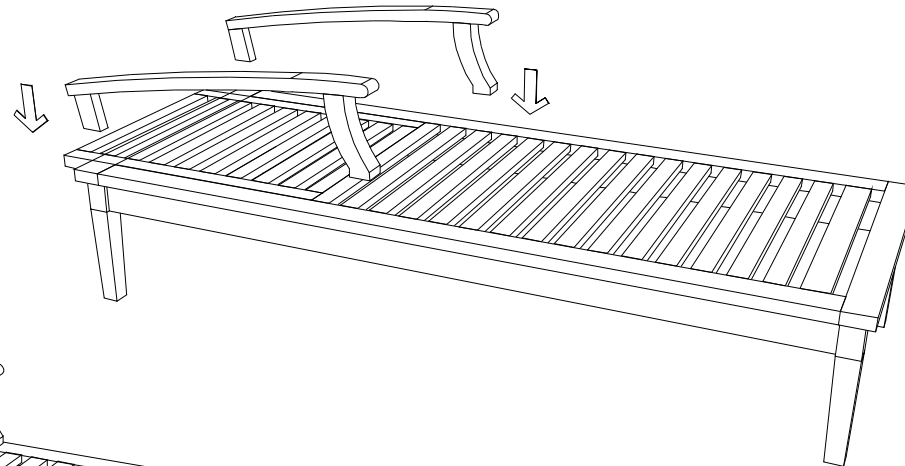


fig 3.

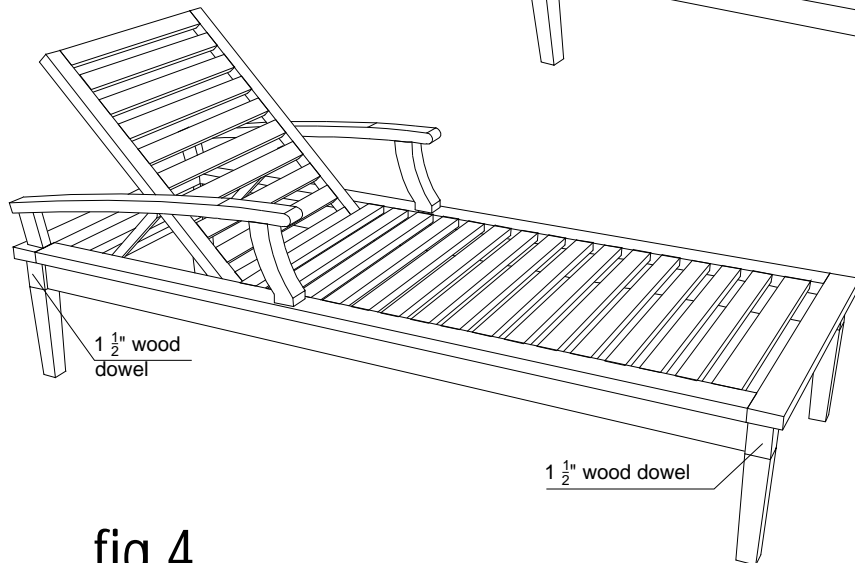


fig 4.

Parts : 2 psc legs, 2 pcs arms, 1 pc lounger

### Hardware packs

- wood dowel for the legs
- brass clamp for the legs and the wheels

### Tools requirement

- hammer ( not supplied )

### Assembling

1. Prepare a leg.
2. Put some glue into the leg's mortise
3. Insert the legs to the lounger. ( Fig. 1 )
4. Insert the other legs to the lounger ( Fig. 2 )
5. Insert the arms to the lounger. ( Fig. 3 )
6. Put some glue around the wood dowels and insert it into the legs.
7. Clean the glue rest using a damp cloth.