



SPR627OS



34" x 23.63" x 23.5" (H x W x D)

Outdoor all-refrigerator for built-in use, with lock, digital thermostat, black cabinet, and stainless steel door

Highlights:

ENERGY STAR certified commercial refrigerator

Designed and constructed for use in the outdoors

Flexible design allows built-in or freestanding use in 24" wide spaces

Stainless steel door offers a professional look

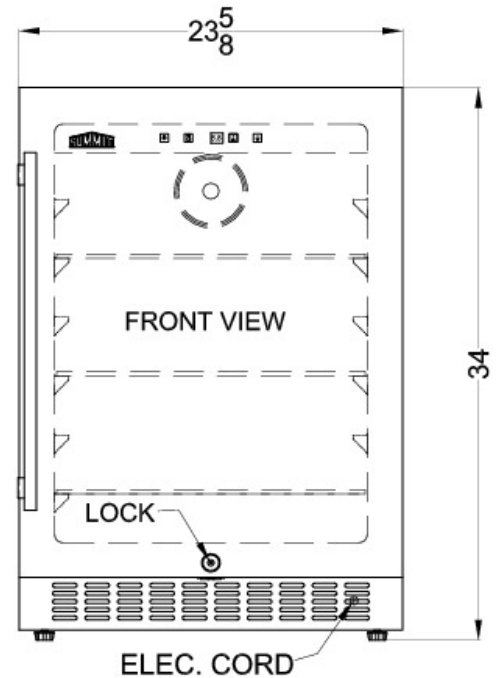
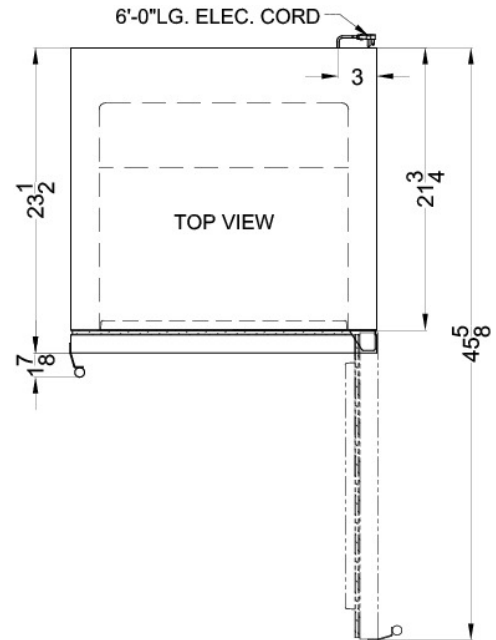
Product Features:

CEE Tier II qualified	Efficient design meets CEE Tier II specifications, using 25% less energy than DOE standards require for this product category
ENERGY STAR certified commercial performance	Meets ENERGY STAR standards as a commercial refrigerator and meets DOE standards for residential use
Built-in capable	Front-breathing design lets you make the best use of space by installing your appliance under the counter
Fully finished black cabinet	Allows the unit to be used freestanding in the outdoors
Stainless steel door	Durable construction with a professional look
Factory installed lock	Keyed lock for a secure interior
Professional handle	Includes a full-length pro handle in chrome
Frost-free operation	No-frost operation for minimum user maintenance
Digital thermostat	Electronic controls located inside the unit for precise temperature management



SPR627OS Specifications:

Overview	
Height to Cabinet	34.0"
Width	23.63"
Depth	23.5"
Depth with Handle	25.38"
Depth with door at 90°	45.63"
Capacity	4.6 cu.ft.
Defrost Type	Frost-Free
Door	Stainless Steel
Cabinet	Black
US Electrical Safety	ETL
Canadian Electrical Safety	ETL-C
Sanitation	ETL-S
Energy Usage/Year	250.0kWh/year
Amps	0.8
Voltage/Frequency	115 V AC/60 Hz
Weight	95.0 lbs.
Shipping Weight	105.0 lbs.
Parts & Labor Warranty	1 Year
Compressor Warranty	5 Years
Refrigerator Features	
Door Swing	RHD
Reversible	Yes
Shelf Type	Glass
Shelf Qty	3
Adjustable Shelves	Yes
Thermostat Type	Digital
Fan Type	Interior and Exterior
Refrigerant Type	R600a
Refrigerant Amount	0.99oz.
High Side PSI	270.0
Low Side PSI	105.0
Interior Light	Yes
Dimensions	
Interior Height	24.0"
Interior Width	19.25"



SUMMIT APPLIANCE DIVISION FELIX STORCH, INC.

770 Garrison Avenue, Bronx, NY 10474 USA TEL 718-893-3900 FAX 844-478-8799

info@summitappliance.com

www.summitappliance.com