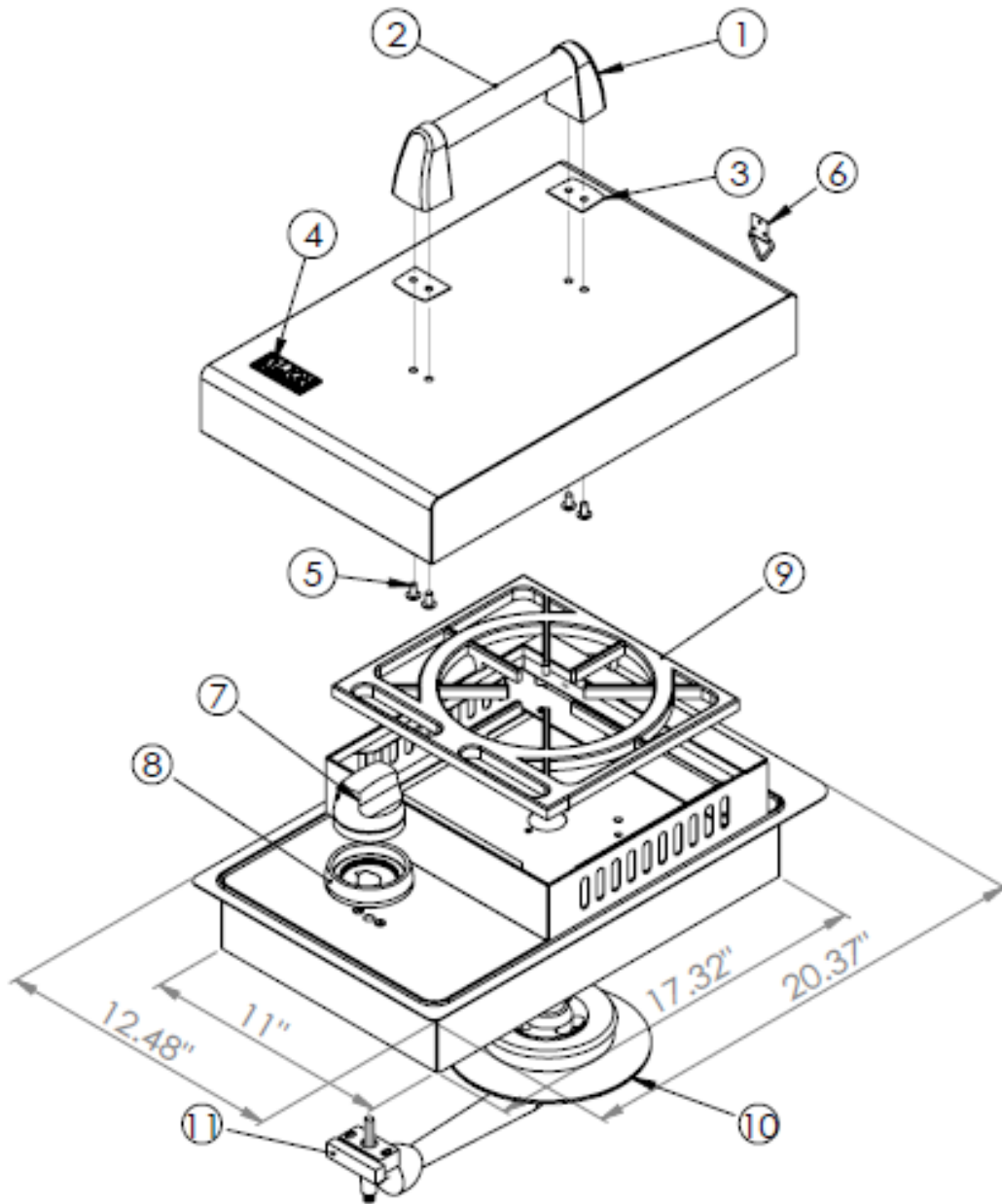




SPECIFICATIONS & ASSEMBLY INSTRUCTION

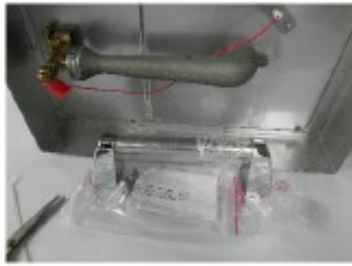
ITEM #L6247 SINGLE SIDEBURNER(LP)

ITEM #L5631 SINGLE SIDEBURNER(NG)



NO.	Part list	Dimension	Q'ty
1	Handle Bracket		2
2	Drawer Handle		1
3	Gasket		2
4	Logo		1
5	Bolt M6*12		4
6	Rings		1
7	Knob		1
8	Knob Bezel		1
9	Trivet		1
10	Brass Burner		1
11	Side Burner Valve		1

SIDE BURNER INSTALLATION INSTRUCTION



1.Remove the handle set under side burner



2.Point the handle to gaskets and fix it with bolts on the lid



3.Remove the red sleeve



4.Connect Gas Hose with switch



5.LP Gas usage: Connect the T-fitting with Gas Hose



Attach one end of T-fitting to Regulator, the other end to Grill

SIDE BURNER OPERATING INSTRUCTION

To turn your side burner on:

1. Raise the lid.
2. Press and turn the control knob slowly (3-4 seconds) anti clockwise to HIGH until a click is heard.
3. If the burner fails to ignite, turn the knob to OFF and repeat the process.



A low flame or simmer condition is obtained by turning the control knob anticlockwise to LOW.

The burner flame should be light blue with slight yellow tipping. If the flame is too yellow, consult your dealer before further use.

Turning Off

Turning Off - Simply turn the knob to the off position. When you have finished with your barbecue, turn the cylinder off.

Note carefully: Failure to follow the lighting and turn off procedures correctly can lead to a hazardous condition.

After Use

1. Turn the control knob and the gas cylinder valve off if the barbecue is not in use.
2. Clean off any food spills and lower the lid.



Convex for Pot cooking



Flat for Pan cooking