

**Installation  
Operation  
and  
Maintenance  
Instructions**

**Built In  
Side by Side  
Refrigerator/Freezer**

**M60CSS**

**M72CSS**

**M48C2TF**

**M60C2TF**

**M60CFR**

**MPRO42CSS**

**MPRO48CSS**

**MPRO60CSS**

**MPRO72CSS**



# CONTENTS

Unpacking the refrigerator/freezer .....	3
Tools required .....	3
Warranty registration .....	4
Dimensions for M(XX)CSS with Solid Doors .....	5
Dimensions for M60CFR with Solid Doors .....	6
Dimensions for M(XX)C2TF with Solid Doors .....	7
Dimensions for M(XX)CSS with Solid Overlay Doors .....	8
Dimensions for M(XX)CSS with Solid Freezer Door and Glass Refrigerator Door .....	9
Dimensions for M(XX)CSS with Solid Freezer Overlay Door and Glass Refrigerator Overlay Door .....	10
Dimensions for MPRO(XX)CSS with Solid Doors .....	11
Dimensions for MPRO(XX)CSS with Solid Freezer Door and Glass Refrigerator Door .....	12
Preinstallation considerations .....	13
Rough in opening .....	13
Select location .....	13
Electrical requirements .....	14
Plumbing requirements .....	14
Installing the cabinet .....	15
Corner installation .....	15
Anti tip bracket considerations .....	16
Leveling the unit .....	17
Installing two units side by side .....	18
Installing the power module .....	19
Placing power module on top of cabinet .....	19
Power module electrical connections .....	19
Installing Ice Maker Water Valve .....	20
Installing the grille .....	21
Custom Grille and Door Overlay Panels .....	24
Mounting Grille Facia Panel .....	24
Overlay Door Panel Instructions .....	25
Hinge and gasket adjustments .....	27
Installing side panels .....	28
Installing the kickplate .....	28
Installation checks .....	29
Common installation errors .....	29
Use and care guide .....	29
Using your refrigerator .....	29
Using your freezer .....	30
Temperatures .....	31
Defrosting .....	31
Cleaning .....	31
Condenser cleaning procedure .....	31
Energy saving tips .....	30
Product sounds .....	32
Troubleshooting guide .....	33
Obtaining service .....	33
Warranty .....	34

## Important Safety Instructions

Warnings and safety instructions appearing in this guide are not meant to cover all possible conditions and situations that may occur. Common sense, caution, and care must be exercised when installing, maintaining, or operating this appliance.

## Recognize Safety Symbols, Words, and Labels.



### WARNING

**WARNING**-Hazards or unsafe practices with high probability of personal injury or property / product damage.



### CAUTION

**CAUTION**-Hazards or unsafe practices which could result in personal injury or property or product damage.

### NOTE

**NOTE**-Important information to help assure a problem free installation and operation.

**AGA MARVEL** is committed to building a quality product in an environmentally friendly manner. Our processes are tightly controlled and closely monitored. We have achieved certifications in ISO 9001 for quality assurance, ISO 14001 for environmental management, and OHSAS 18001 for occupational health and safety from Lloyd's Register Quality Assurance.



# UNPACKING YOUR REFRIGERATOR/FREEZER



## WARNING

### EXCESSIVE WEIGHT HAZARD

Use two or more people to move product.  
Failure to do so can result in back or other injury.



## CAUTION

### Help Prevent Tragedies

Child entrapment and suffocation are not problems of the past. Junked or abandoned refrigerators are still dangerous - even if they sit out for "just a few days".

If you are getting rid of your old freezer, please follow the instructions below to help prevent accidents.

Before you throw away your old refrigerator:

- Take off the doors or remove the drawers.
- Leave the shelves in place so children may not easily climb inside.

### Remove Interior Packaging

Your refrigerator/freezer has been packed for shipment with all parts that could be damaged by movement securely fastened. Remove internal packing materials and any tape holding internal components in place. The owners manual is shipped inside the product in a plastic bag along with the warranty registration card, and other accessory items.

### Important

Keep your carton and packaging until your refrigerator/freezer has been thoroughly inspected and found to be in good condition. If there is damage, the packaging will be needed as proof of damage in transit. Afterwards please dispose of all items responsibly in particular the plastic bags which can be a suffocation hazard.

### Note to Customer

This merchandise was carefully packed and thoroughly inspected before leaving our plant. Responsibility for its safe delivery was assumed by the retailer upon acceptance of the shipment. Claims for loss or damage sustained in transit must be made to the retailer.

DO NOT RETURN DAMAGED MERCHANDISE TO THE MANUFACTURER - FILE THE CLAIM WITH THE RETAILER.

### Tools to have available for installation:

- Phillips screwdriver
- Flat blade screwdriver
- Hex head nut drivers size ¼" and ⅝"
- Level
- Drill and drill bit (#6 - .204)
- Open end wrenches size ¼", ⅞" and ½"
- Slip joint pliers
- Adjustable wrench
- Tape measure
- Hex socket and ratchet size ⅞"
- Hex key (Allen wrench) ⅜"



## CAUTION

If the power module was shipped or has been laying on its side for any period of time allow the power module to sit upright for a period of at least 24 hours before plugging in. This will assure oil returns to the compressor. Plugging the power module in immediately may cause damage to internal parts.

# WARRANTY REGISTRATION

Power module serial plate is behind the grille on the front of the power module

Cabinet serial plate is on the inside top liner toward the right side

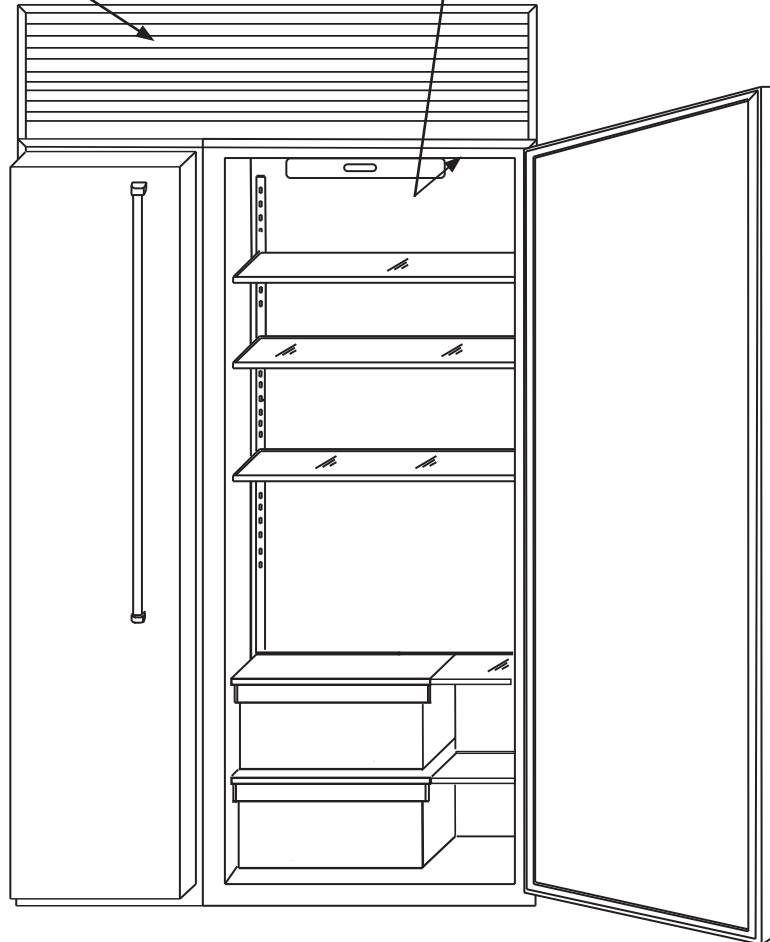


Figure 1  
Serial plate locations  
(42CSS shown)

Each unit will have two sets of serial plates which will require filling out two areas on the warranty registration card.

## Warranty Registration

It is important you send in your warranty registration cards immediately after taking delivery of your refrigerator/freezer.

The following information will be required when registering your units.

- Service Number
- Serial Number
- Date of Purchase
- Dealer's name and address

The service number and serial number can be found on the serial plates which are located on the power module and the cabinet. See figure 1 above for locations.

<b>AGA MARVEL</b> <small>GREENVILLE, MICHIGAN 48838 MADE IN USA</small>	
MODEL NO. <input type="text"/>	SERIAL NO. <input type="text"/>
SERVICE NUMBER <input type="text"/>	VOLTS <input type="text"/> AMPS <input type="text"/>
R134A <input type="text"/> OZ	HZ <input type="text"/> PH <input type="text"/> DEFROST <input type="text"/> APS <input type="text"/>
DESIGN PRESSURE	101 PSI LOW SIDE 218 PSI HIGH SIDE

Figure 2  
Power module serial plate

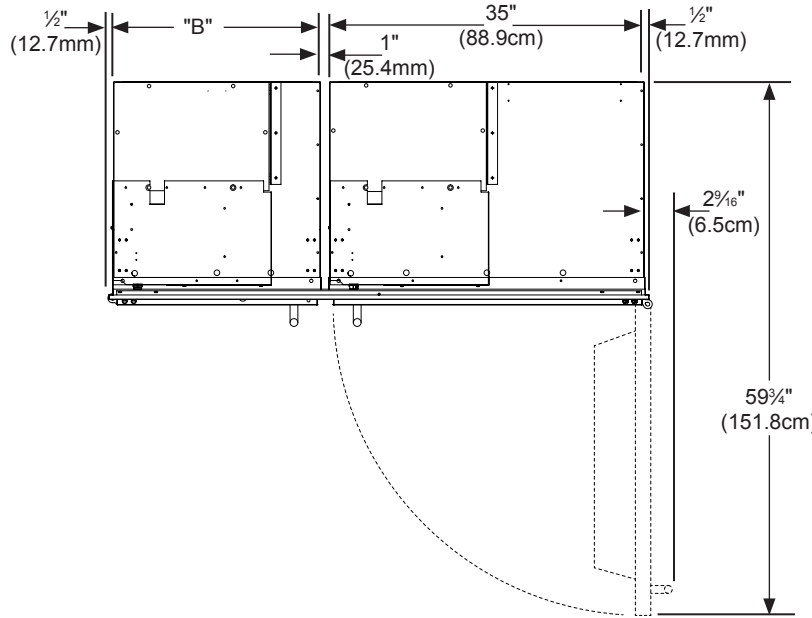
<b>AGA MARVEL</b> <small>GREENVILLE, MICHIGAN 48838 MADE IN USA</small>	
MODEL NO. <input type="text"/>	SERIAL NO. <input type="text"/>
SERVICE NUMBER <input type="text"/>	AMPS <input type="text"/> POWER MODULE(S) <input type="text"/>
115 VOLTS, 60HZ, 1 PH	FOR USE WITH AGA MARVEL POWER MODULE(S) <input type="text"/>
	FREESTAND <input type="text"/> REFRIGERATOR <input type="text"/>

Figure 3  
Cabinet serial plate

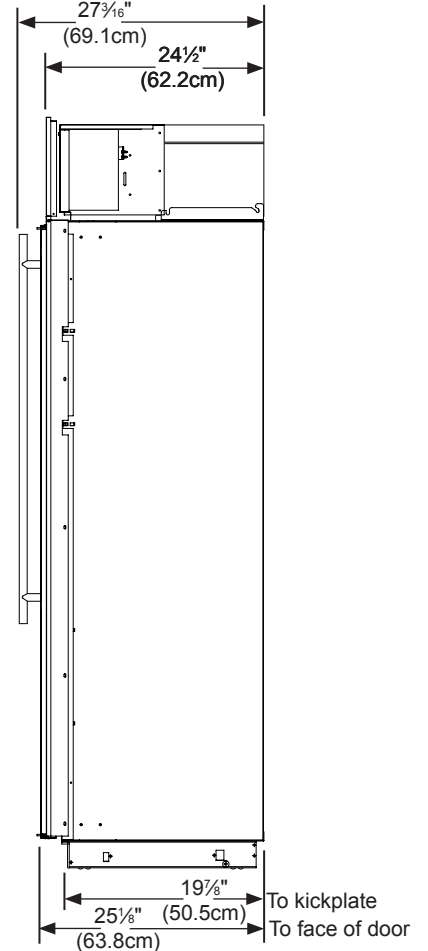
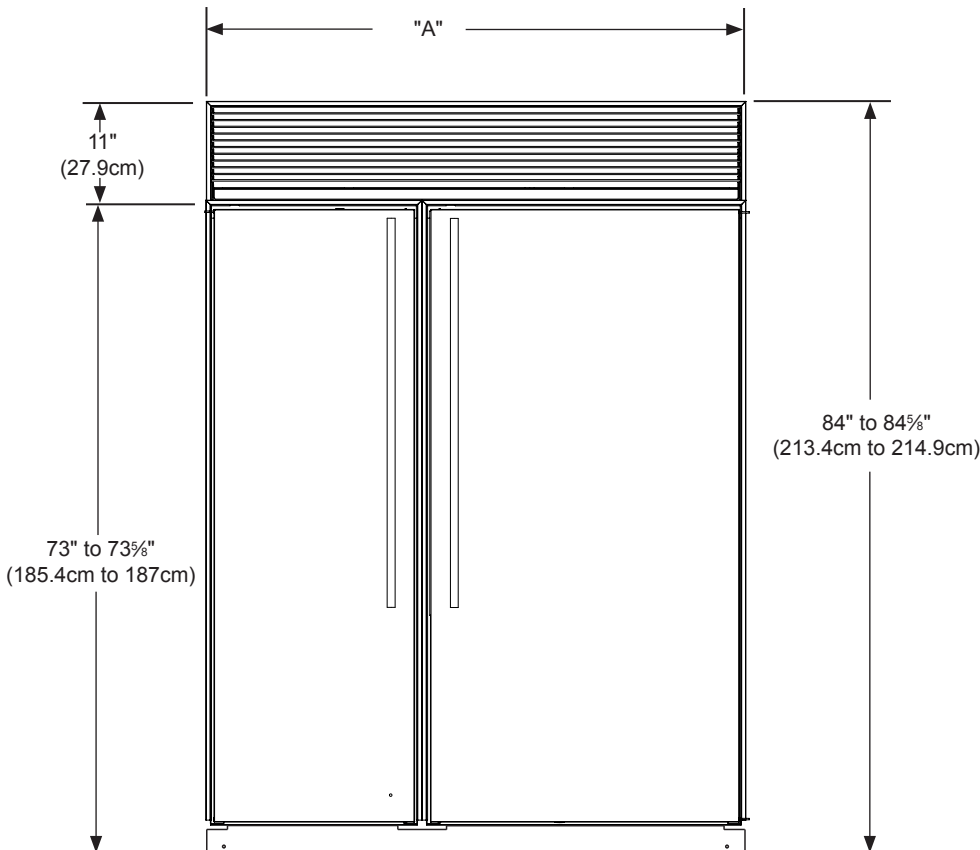
# PRODUCT DIMENSIONS FOR M(XX)CSS WITH SOLID DOORS

## Electrical Requirements:

A grounded 115 volt, 60 cycle, single phase, 15 amp dedicated circuit is required. Follow all local building codes when installing electrical and unit.



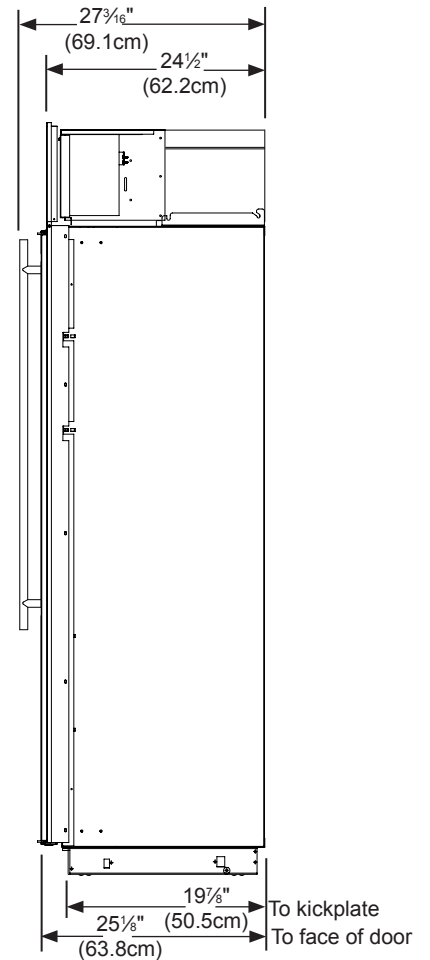
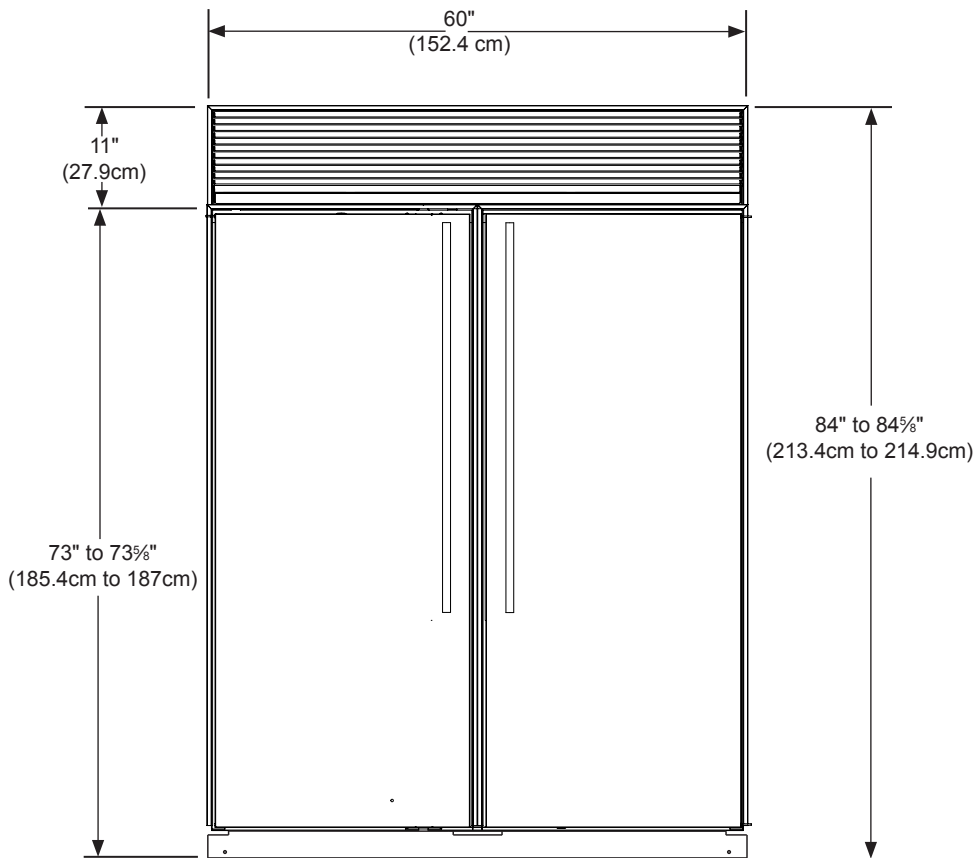
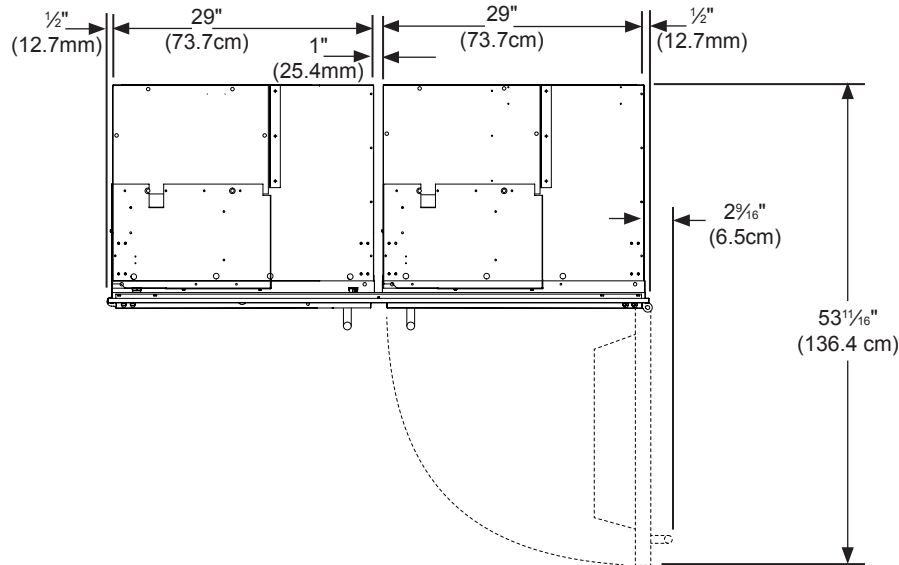
MODEL	"A"	"B"
M60CSS-WS	60" (152.4cm)	23" (58.4cm)
M60CSS-SS	60" (152.4cm)	23" (58.4cm)
M72CSS-WS	72" (182.9cm)	35" (88.9cm)
M72CSS-SS	72" (182.9cm)	35" (88.9cm)



# PRODUCT DIMENSIONS FOR M60CFR-WS WITH SOLID DOORS

## Electrical Requirements:

A grounded 115 volt, 60 cycle, single phase, 15 amp dedicated circuit is required. Follow all local building codes when installing electrical and unit.

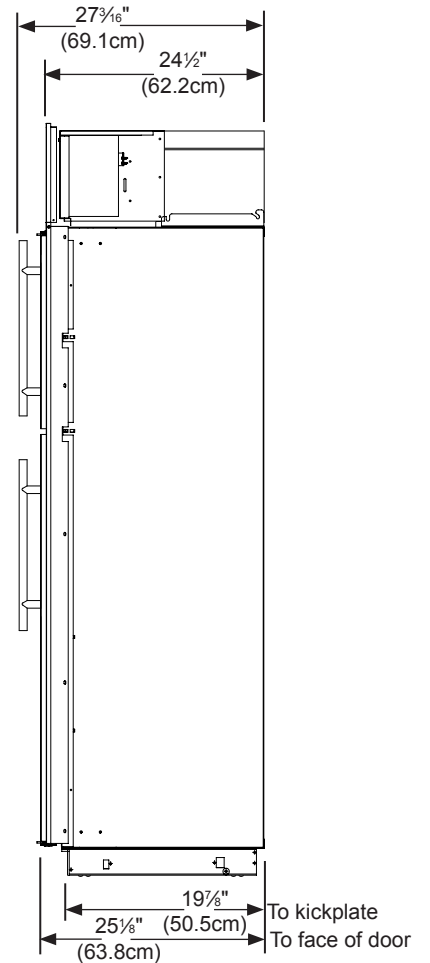
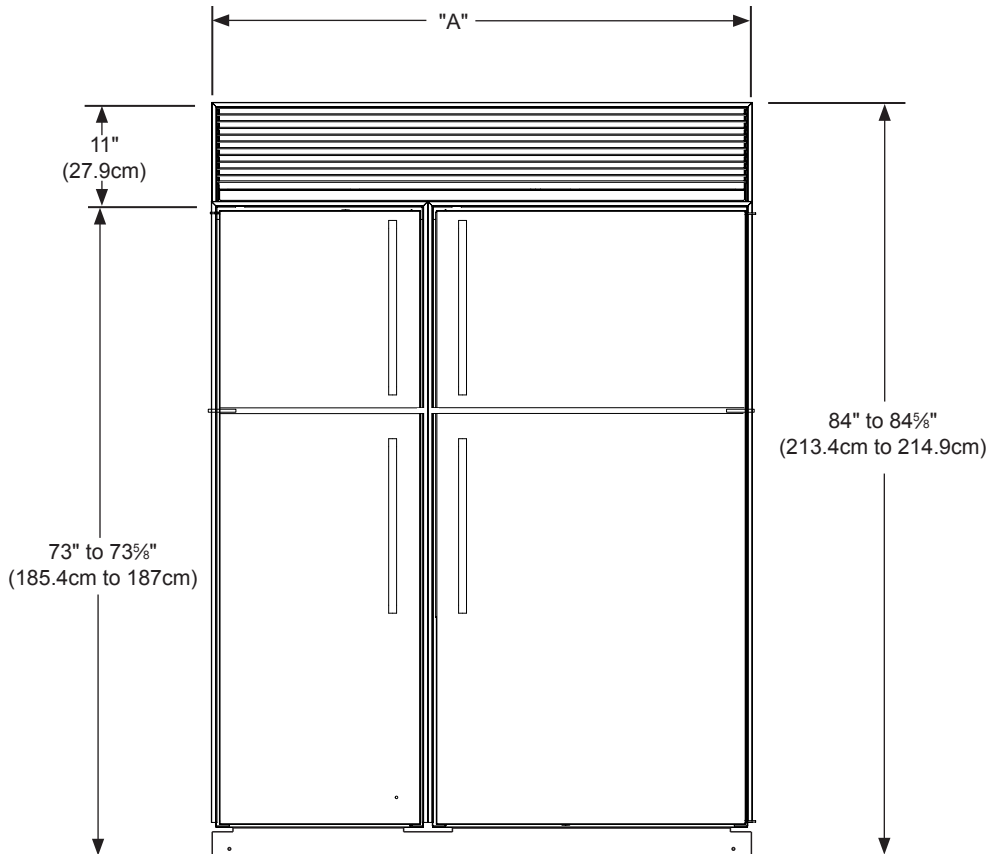
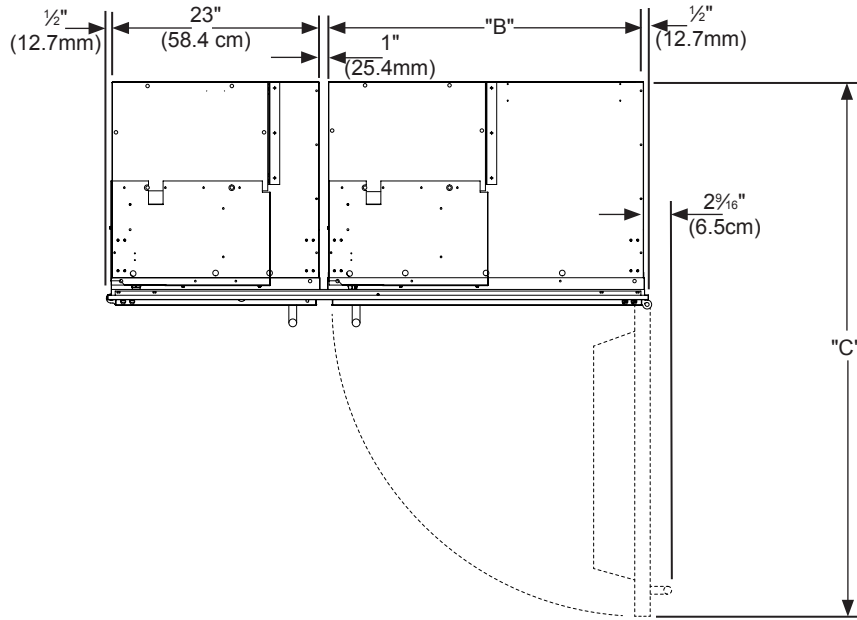


# PRODUCT DIMENSIONS FOR M(XX)C2TF-WS WITH SOLID DOORS

MODEL	"A"	"B"	"C"
M48C2TF-WS	48" (121.9 cm)	23" (58.4cm)	47 <sup>1</sup> / <sub>16</sub> " (121.1 cm)
M60C2TF-WS	60" (152.4 cm)	35" (88.9cm)	59 <sup>3</sup> / <sub>4</sub> " (151.8 cm)

## Electrical Requirements:

A grounded 115 volt, 60 cycle, single phase, 15 amp dedicated circuit is required. Follow all local building codes when installing electrical and unit.

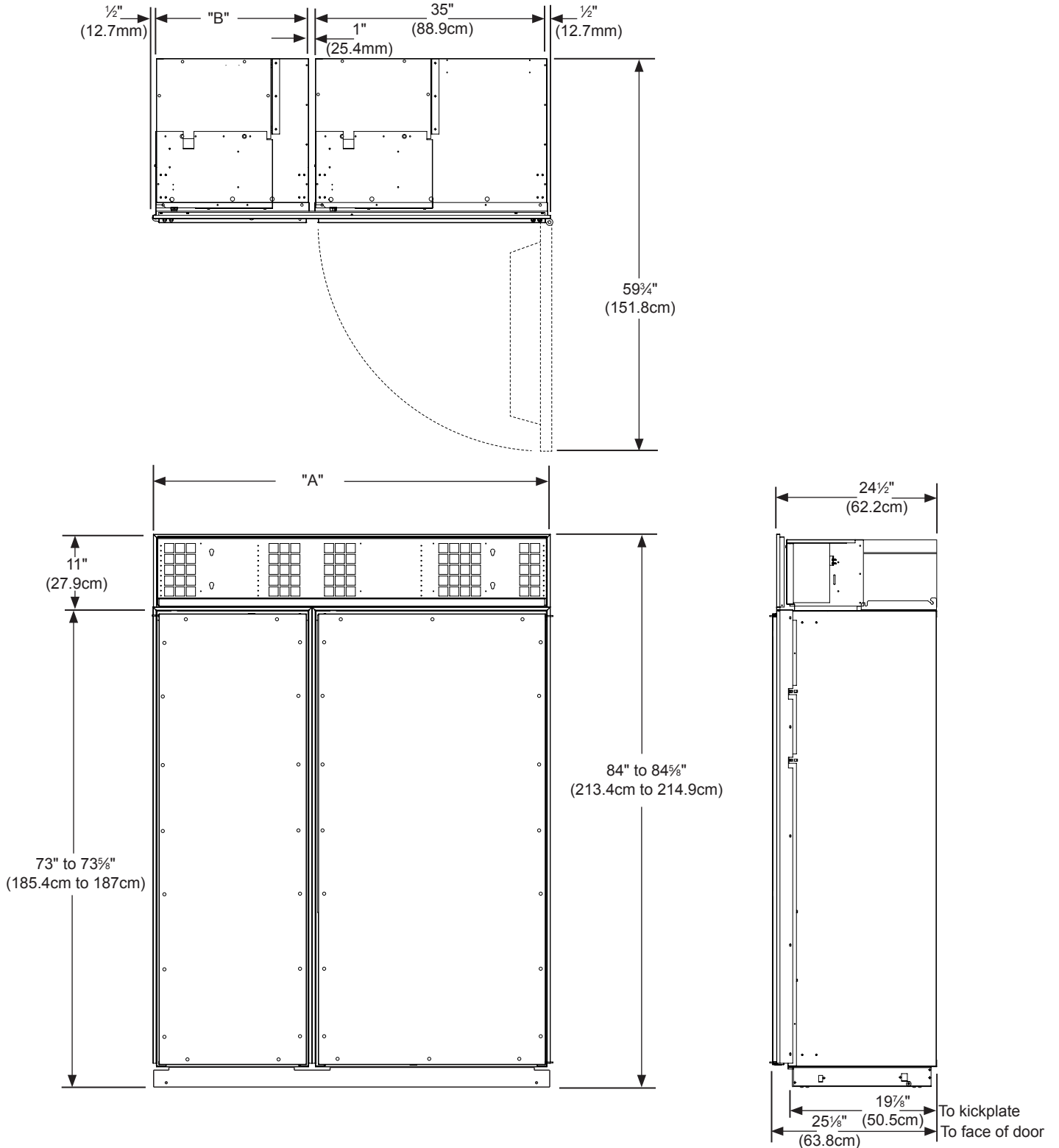


# PRODUCT DIMENSIONS FOR M(XX)CSS WITH SOLID OVERLAY DOORS

MODEL	"A"	"B"
M60CSS-WP	60" (152.4cm)	23" (58.4cm)
M60CSS-SP	60" (152.4cm)	23" (58.4cm)
M72CSS-WP	72" (182.9cm)	35" (88.9cm)
M72CSS-SP	72" (182.9cm)	35" (88.9cm)

## Electrical Requirements:

A grounded 115 volt, 60 cycle, single phase, 15 amp dedicated circuit is required. Follow all local building codes when installing electrical and unit.



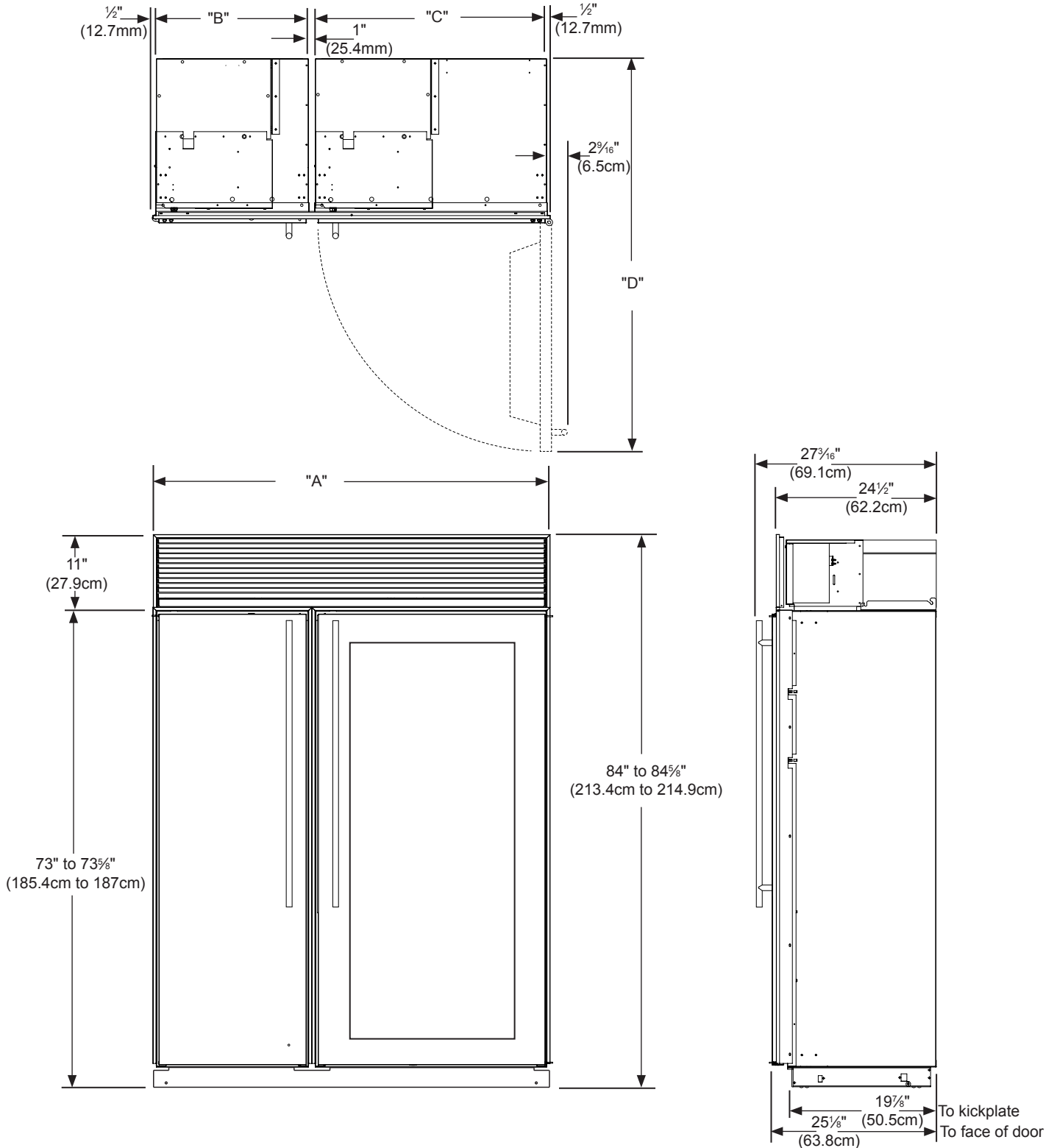


# PRODUCT DIMENSIONS FOR M(XX)CSS WITH SOLID FREEZER DOOR AND GLASS REFRIGERATOR DOOR

MODEL	"A"	"B"	"C"	"D"
M60CSS-SGX	60" (152.4cm)	23" (58.4cm)	35" (88.9cm)	59 $\frac{3}{4}$ " (151.8cm)
M72CSS-SGX	72" (182.9cm)	35" (88.9cm)	35" (88.9cm)	59 $\frac{3}{4}$ " (151.8cm)

## Electrical Requirements:

A grounded 115 volt, 60 cycle, single phase, 15 amp dedicated circuit is required. Follow all local building codes when installing electrical and unit.

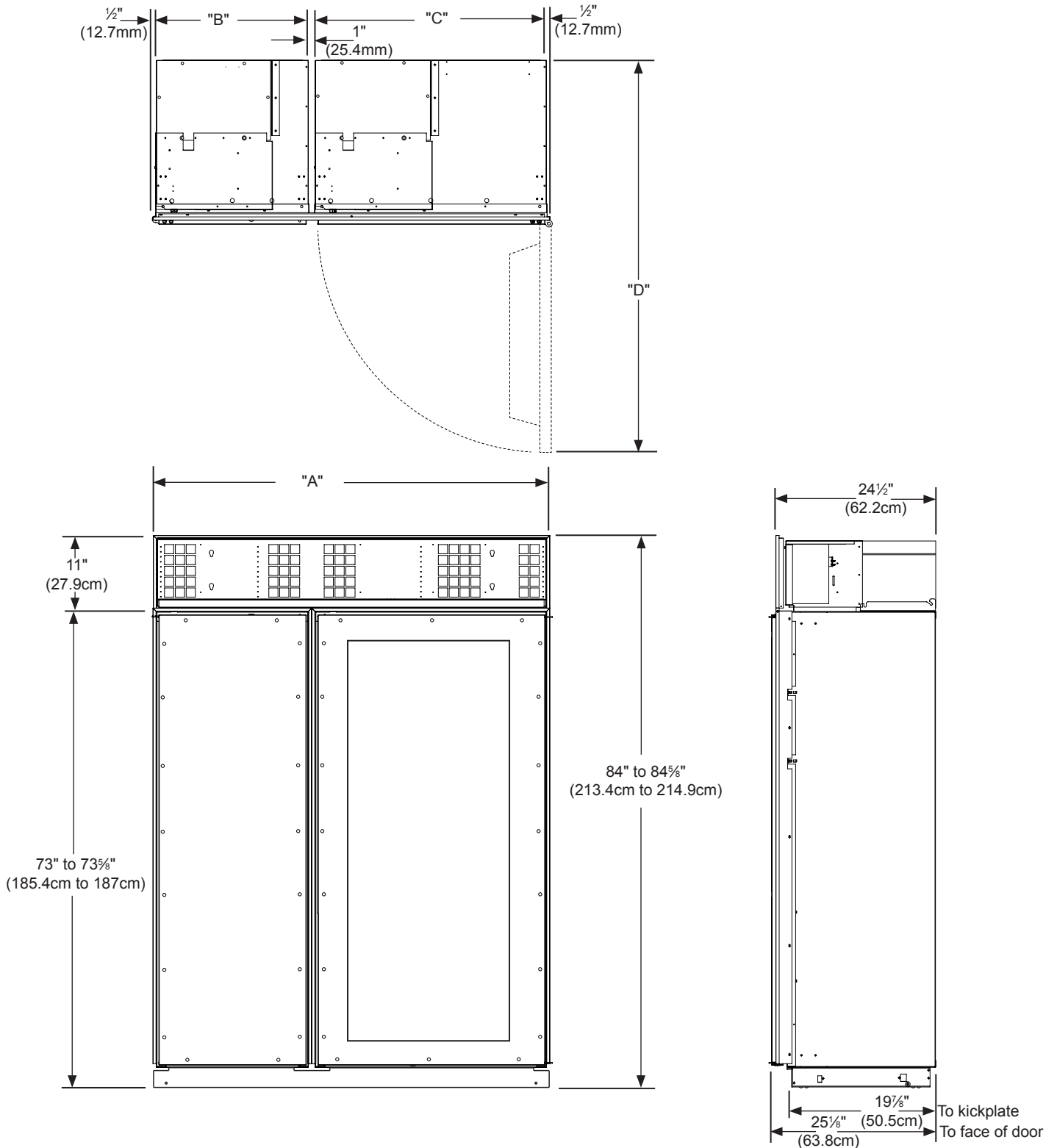


# PRODUCT DIMENSIONS FOR M(XX)CSS WITH SOLID FREEZER OVERLAY DOOR AND GLASS REFRIGERATOR OVERLAY DOOR

MODEL	"A"	"B"	"C"	"D"
M60CSS-SGP	60" (152.4cm)	23" (58.4cm)	35" (88.9cm)	59 $\frac{3}{4}$ " (151.8cm)
M72CSS-SGP	72" (182.9cm)	35" (88.9cm)	35" (88.9cm)	59 $\frac{3}{4}$ " (151.8cm)

### Electrical Requirements:

A grounded 115 volt, 60 cycle, single phase, 15 amp dedicated circuit is required. Follow all local building codes when installing electrical and unit.

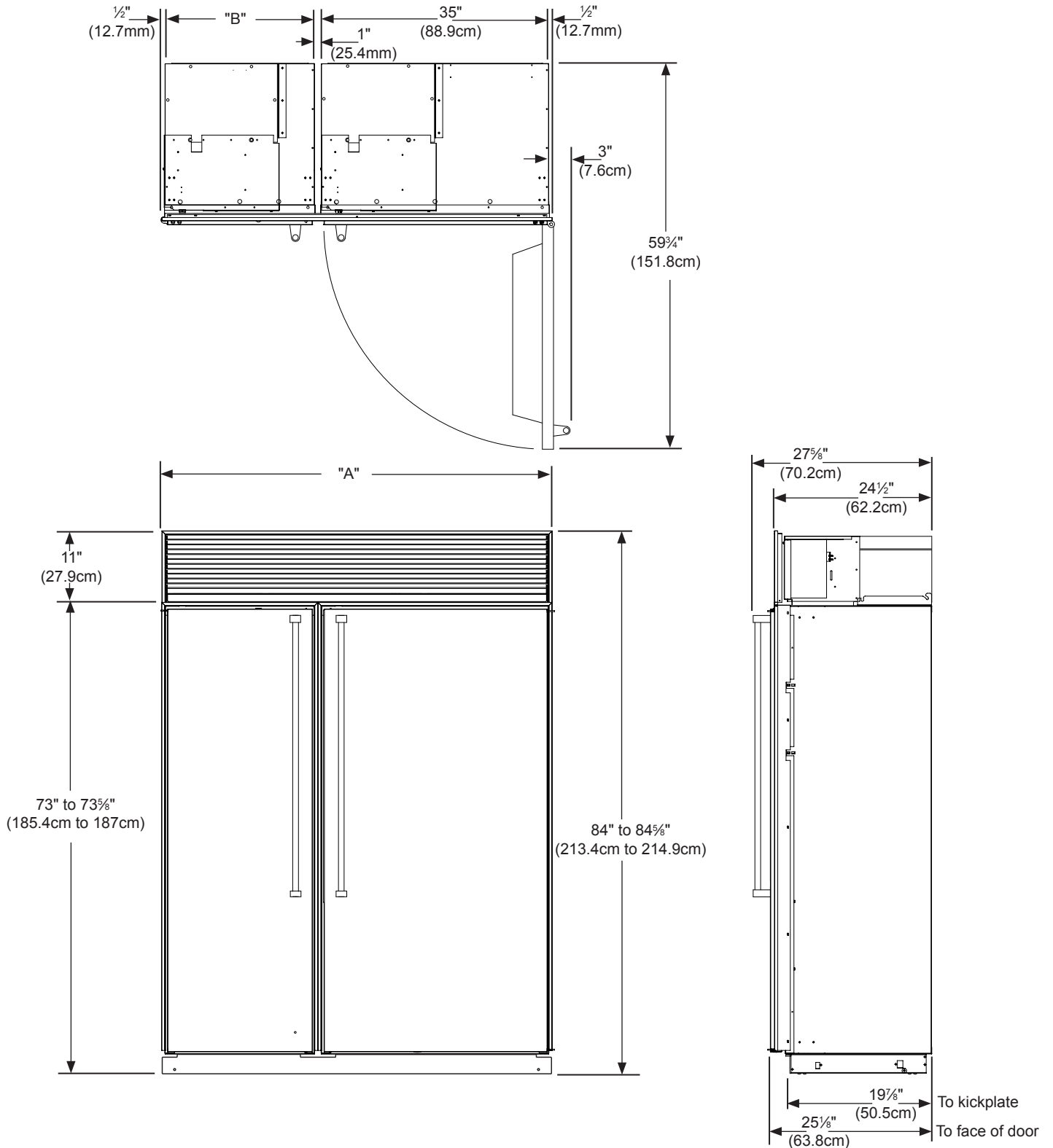


# PRODUCT DIMENSIONS FOR MPRO(XX)CSS WITH SOLID DOORS

MODEL	"A"	"B"
MPRO60CSS-SS	60" (152.4cm)	23" (58.4cm)
MPRO72CSS-SS	72" (182.9cm)	35" (88.9cm)

## Electrical Requirements:

A grounded 115 volt, 60 cycle, single phase, 15 amp dedicated circuit is required. Follow all local building codes when installing electrical and unit.

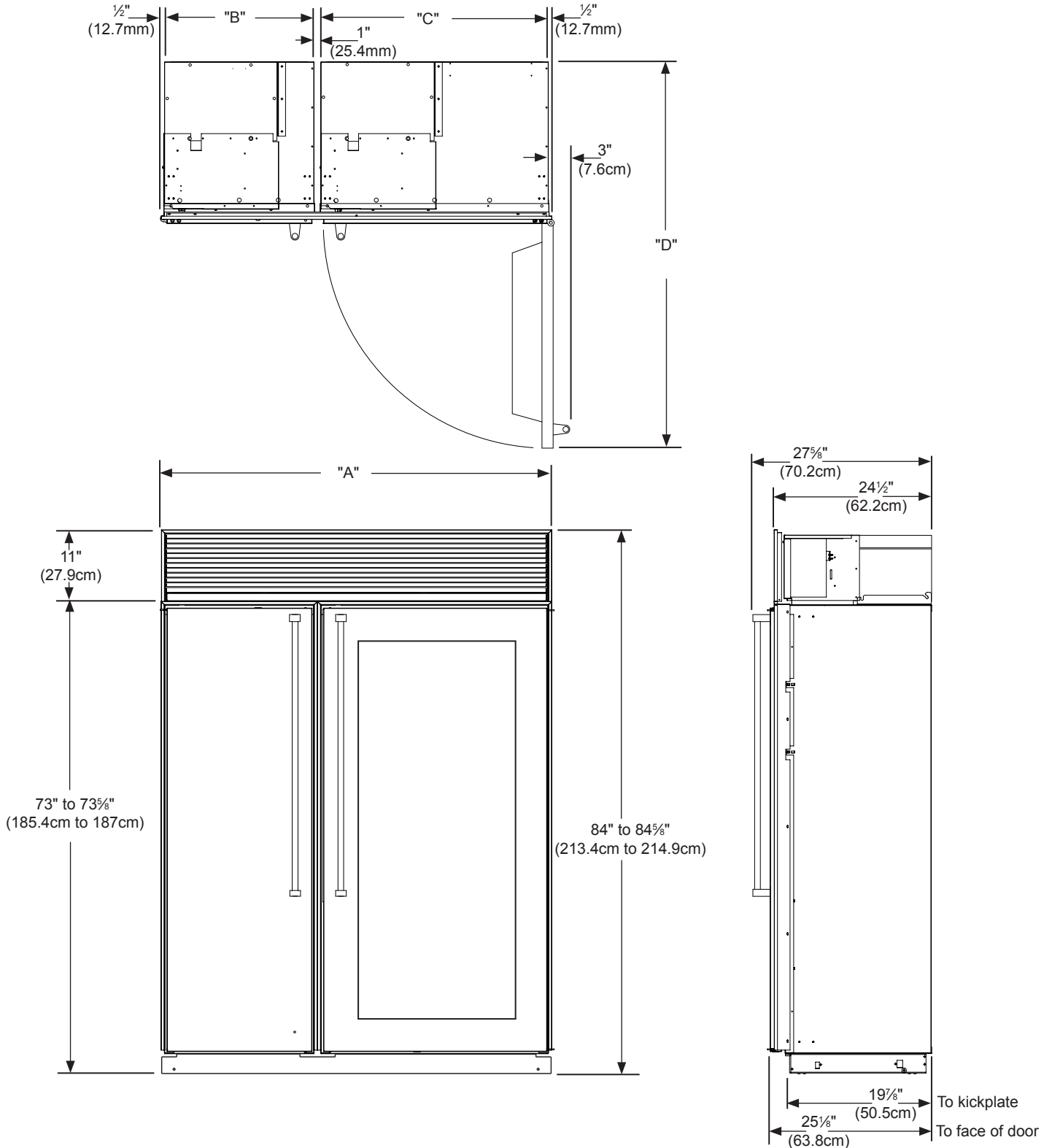


# PRODUCT DIMENSIONS FOR MPRO(XX)CSS WITH SOLID FREEZER DOOR AND GLASS REFRIGERATOR DOOR

MODEL	"A"	"B"	"C"	"D"
MPRO42CSS-SGX	42" (106.7cm)	17" (43.2cm)	23" (58.4cm)	47 <sup>1</sup> / <sub>16</sub> " (121.1cm)
MPRO48CSS-SGX	48" (121.9cm)	17" (43.2cm)	29" (73.7cm)	53 <sup>1</sup> / <sub>16</sub> " (136.4cm)
MPRO60CSS-SGX	60" (152.4cm)	23" (58.4cm)	35" (88.9cm)	59 <sup>3</sup> / <sub>4</sub> " (151.8cm)
MPRO72CSS-SGX	72" (182.9cm)	35" (88.9cm)	35" (88.9cm)	59 <sup>3</sup> / <sub>4</sub> " (151.8cm)

## Electrical Requirements:

A grounded 115 volt, 60 cycle, single phase, 15 amp dedicated circuit is required. Follow all local building codes when installing electrical and unit.



# PRE INSTALLATION CONSIDERATIONS

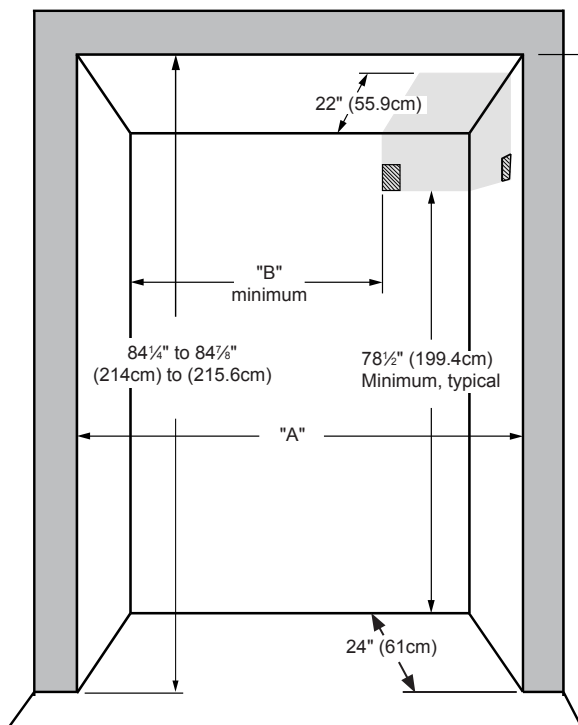


Figure 4

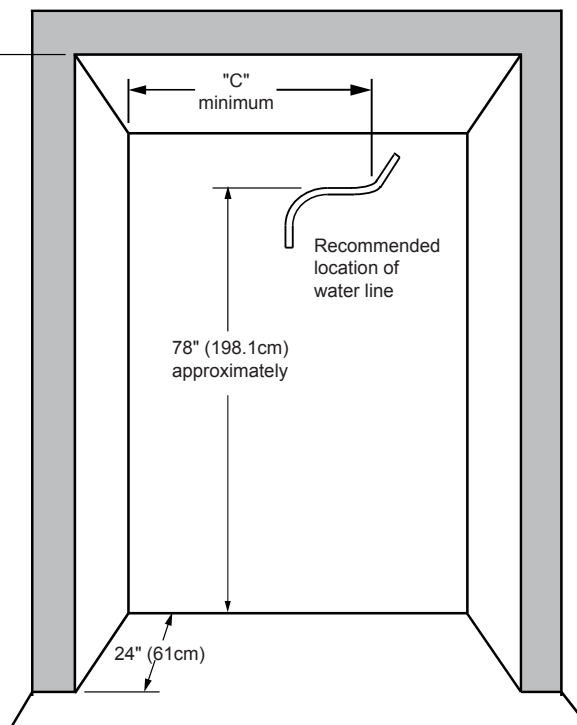


Figure 5

Model	"A"	"B"	"C"
M48C2TF	47½" (120.7cm)	44" (111.8cm)	22" (55.9cm)
M60C2TF	59½" (151.1cm)	44" (111.8cm)	22" (55.9cm)
M60CFR	59½" (151.1cm)	50" (127 cm)	22" (55.9cm)
M60CSS	59½" (151.1cm)	44" (111.8cm)	22" (55.9cm)
M72CSS	71½" (181.6cm)	56" (142.2cm)	22" (55.9cm)
MPRO42CSS	41½" (105.4cm)	38" (96.5cm)	18" (45.7cm)
MPRO48CSS	47½" (120.7cm)	38" (96.5cm)	18" (45.7cm)
MPRO60CSS	59½" (151.1cm)	44" (111.8cm)	22" (55.9cm)
MPRO72CSS	71½" (181.6cm)	56" (142.2cm)	22" (55.9cm)

Table A

## Select Location

Locate the refrigerator/freezer in the coolest part of the room, out of direct sunlight and away from heating ducts or registers.

Do not place the refrigerator/freezer next to heat-producing appliances such as a range, oven or dishwasher. If this is not possible, a section of cabinetry or an added layer of insulation between the two (2) appliances will help the refrigerator/freezer operate more efficiently.

Do NOT install the refrigerator/freezer where the temperature will drop below 60 degrees F (15 degrees C) or rise above 110 degrees F (43 degrees C). The compressor will NOT be able to maintain proper temperatures.

## NOTE

Floor under product **MUST** be at or above the same level of the surrounding finished floor, for ease of installation and removal of unit



## CAUTION

When installing these models the freezer must be installed on the left side to ensure proper air flow through the grille and power module.

For models M(XX)C2TF the unit with the ice maker should be installed on the left side.

## PRE INSTALLATION CONSIDERATIONS

### Electrical Requirements:

Provide a 115 volt, 60 cycle, single phase 15 amp, AC receptacle. It is recommended that a separately fused circuit (a time delay fuse or circuit breaker is recommended), serving only this appliance, be provided. Electrical opening should be placed 78½" (199.4cm) minimum from the floor. (See Figure 4).

This product is factory equipped with a power supply cord that has a three-pronged, grounded plug. It must be plugged into a mating grounding type receptacle in accordance with the National Electrical Code and applicable local codes and ordinances. If the circuit does not have a grounding type receptacle, it is the responsibility and obligation of the customer to provide the proper power supply.

The unit must be installed according to your local building codes and ordinances.

### Plumbing Requirements:

Ice maker water supply line, ¼" (6.4mm) outside diameter copper tubing to come up the rear of cut out opening approximately 78" (198.1cm) off the floor depending on height adjustment. Tubing should then pass around the right side of the power module and around the front to the water solenoid valve. Please refer to Figure 5.

When installing the water line for the ice maker, be sure to install a SHUT-OFF VALVE at a convenient location between the freezer and the supply line. Required water pressure range is 20 to 120 psi (138 to 827 kPa).

Also recommended is an in-line WATER FILTER between the freezer and the supply line to prevent sediment from blocking water flow through the water solenoid valve.

An ideal location for these items is on top of the cabinet, behind the grill, and to the right of the power module.

### NOTE

Self-piercing water valves and plastic tubing are **NOT** approved for water supply to ice maker.



### WARNING

#### Electrical Shock Hazard

- Do not use an extension cord with this appliance. They can be hazardous and cause deficient operation.
- This unit should not, under any circumstances, be installed to an un-grounded electrical supply.
- Do not remove the grounding prong from the power cord.
- Do not use an adapter.
- Do not splash or spray water from a hose on the appliance. Doing so may cause an electrical shock, which may result in severe injury or death.

# INSTALLING THE CABINET

When planning your rough in opening a 3" removable filler panel is recommended above the grille. To remove the power module from the cabinet the front has to be tilted up as shown in Figure 6 when removed for service.

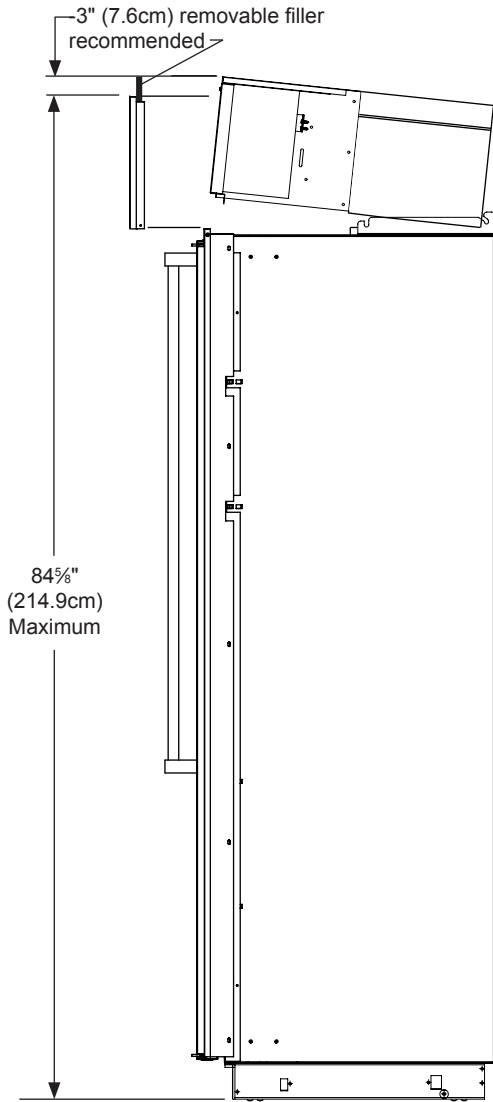


Figure 6

## Corner Installation

For the door to be opened to a full 90°, a 3" (7.6cm) filler will have to be added to the hinge side of the door. This is to allow for door handle clearance when opened to the wall. See Figure 7.

Enclosure must permit refrigerator/freezer to be removed for service.

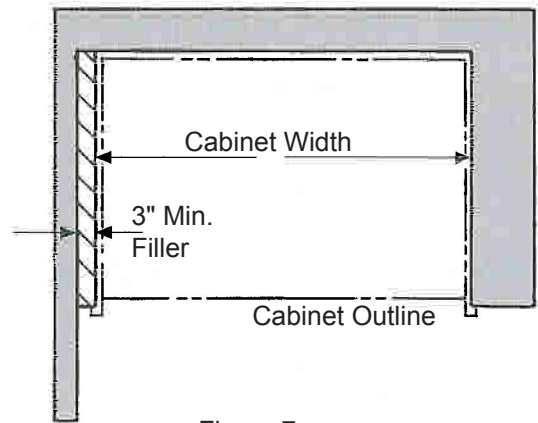


Figure 7

# INSTALLING THE CABINET

## Anti - tip Bracket considerations

Before placing the cabinet in opening, the depth of the cut-out opening should be at least 24" (61cm). If the cut-out opening depth is more than 24" (61cm), then a piece of wood must be secured crosswise on the wall into the studs at the height of the anti-tip brackets. (See Figure 9 and 11). Slide the cabinet into position and level the cabinet with adjustable rear roller and front leveling legs. (See Leveling the unit on page 15).

### 18" and 24" wide freezers and top freezers:

The anti tip bracket is fastened to the cabinet and runs the full width of the cabinet. Locate a wall stud behind the cabinet and secure the anti-tip bracket with at least (2) #8 x 1½" screws provided. See Figure 8.

### 30" and 36" wide refrigerators, freezers and top freezers:

Locate a wall stud behind the unit that is suitable for securing the 5" anti-tip bracket to the wall. The position of the bracket should be to the right of the power module and not behind the power module. Do not disturb the power module gasket on the left side of the unit. Place the anti tip bracket on top of the cabinet flush with the back of the cabinet. Mark and drill at least three holes (1/8" (3.2mm) into the top of the cabinet and secure the bracket to the top of the cabinet with at least (3) of the #8 x 5/8" screws provided. Secure the bracket to the wall stud with at least (2) #8 x 1½" screws provided. See Figure 10.

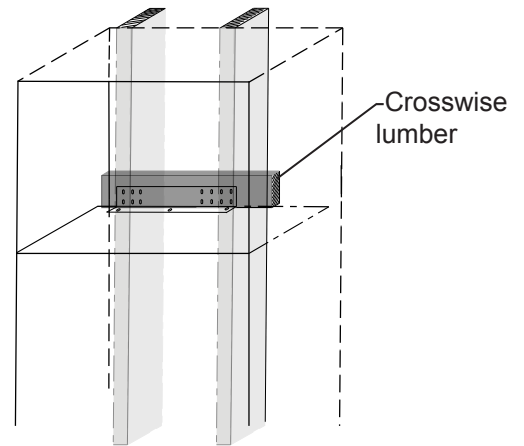


Figure 9  
18" or 24" wide freezers

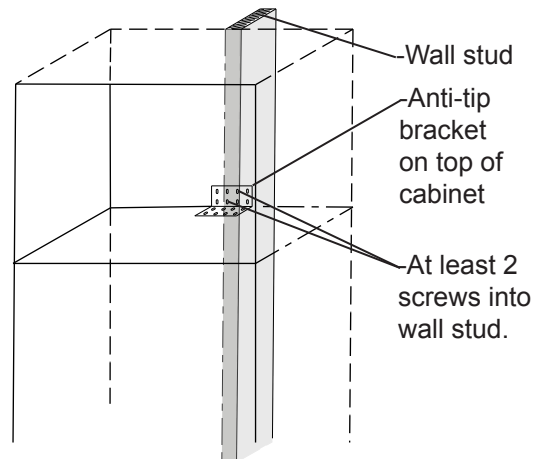


Figure 10  
36" wide freezer  
30" and 36" wide refrigerator

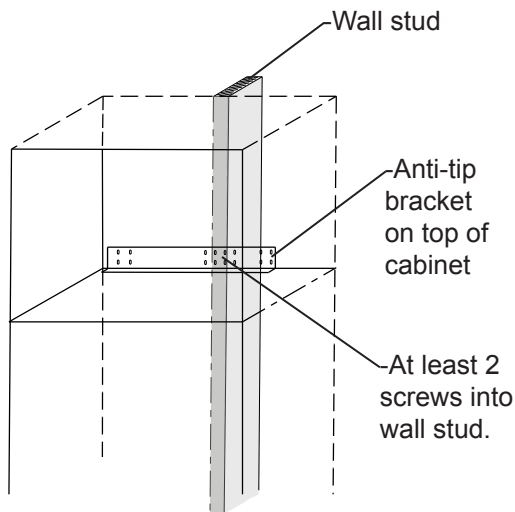


Figure 8  
18" and 24" wide freezers

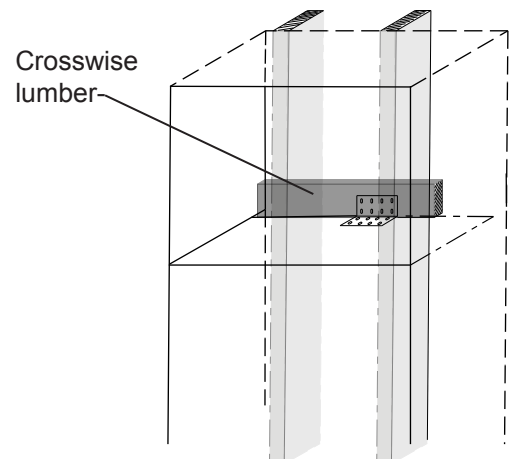


Figure 11  
36" wide freezer  
30" and 36" wide refrigerator



## LEVELING THE UNIT

### Leveling the unit:

Unit **MUST** be installed level in all planes, on a floor that is strong enough to support a fully loaded freezer. See Figure 12.

This unit is equipped with front and rear rollers. Rollers will aid during installation. Rear rollers are adjustable from the front of the unit. Total adjustment is  $+ \frac{5}{16}$ ,  $- \frac{5}{16}$ . Turn adjusting bolt with a  $\frac{7}{16}$ " wrench clockwise to raise cabinet and counterclockwise to lower cabinet. See Figure 13.

### NOTE

All four front leveling legs must be adjusted to the floor for leveling and to prevent the unit from rolling during use. See Figure 13.

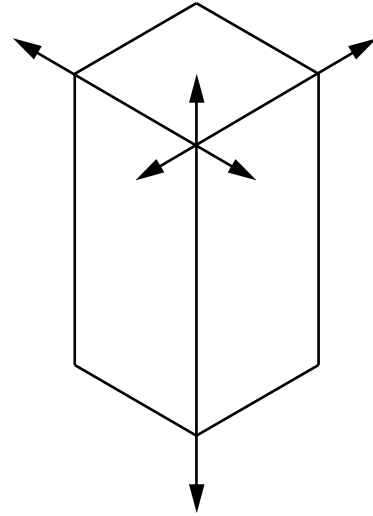


Figure 12

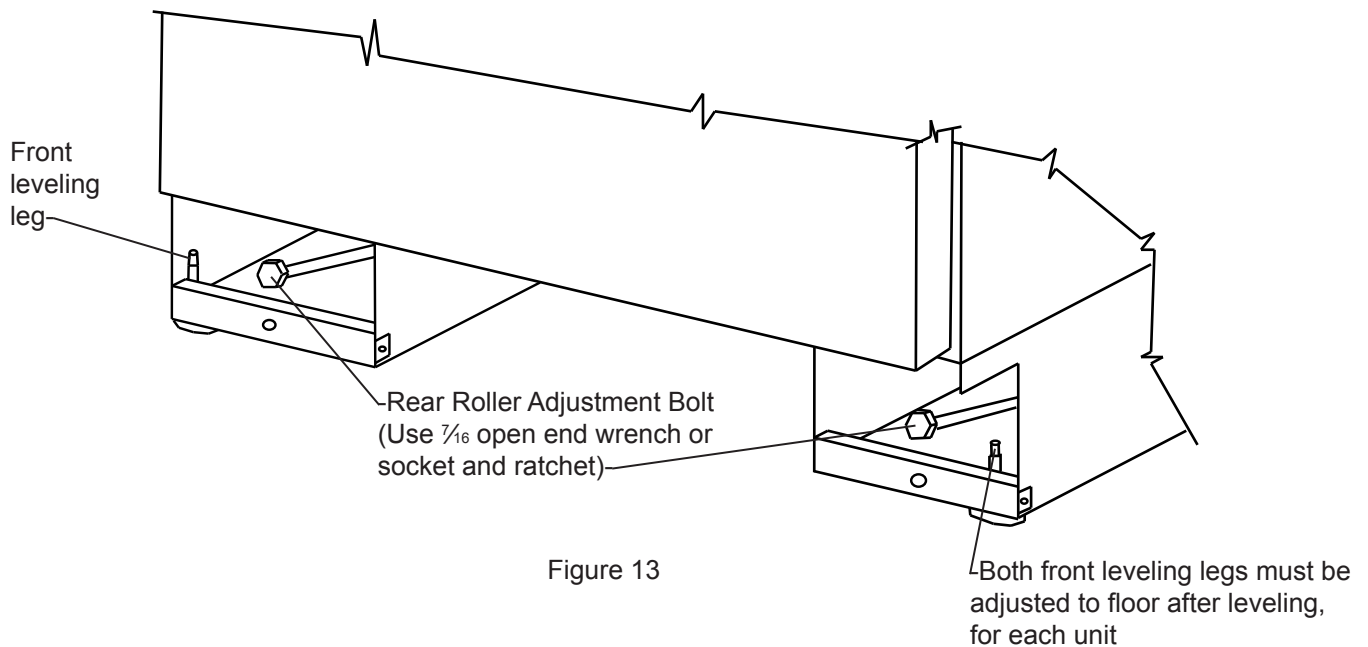


Figure 13

## INSTALLING THE TWO UNITS SIDE BY SIDE

### Installing Two Units Side-By-Side

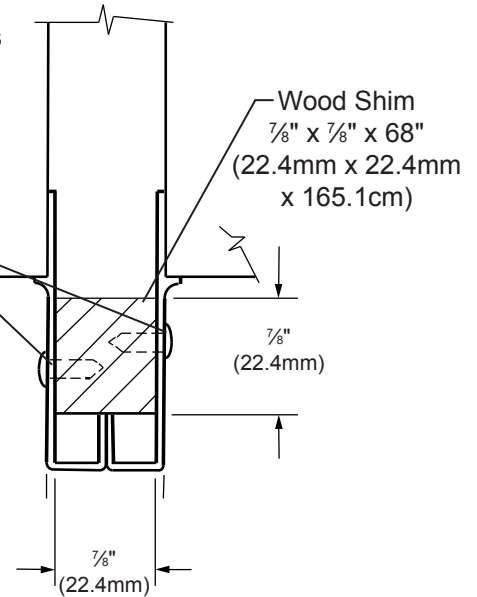
When two (2) units are installed together, a divider panel needs to be installed between the two (2) power modules (refer to Figure 14). The divider panel is fastened to the freezer right side at the top of the cabinet. Remove the two screws holding the divider panel in place, flip over so the divider is above the cabinet and secure with the two removed screws.

### NOTE

If the divider panel is not installed, the warm discharge air from the refrigerator module will be drawn into the intake of the freezer module causing the freezer module to not operate properly.

Mount the junction box next to the right hand module with the double face tape provided to the cabinet top. Plug the 2 power cords from the modules into this junction box and the junction box power cord into the power supply.

Drill three (3) holes each side equal distance apart in vertical section of aluminum frame and install screws as shown.



Section A-A

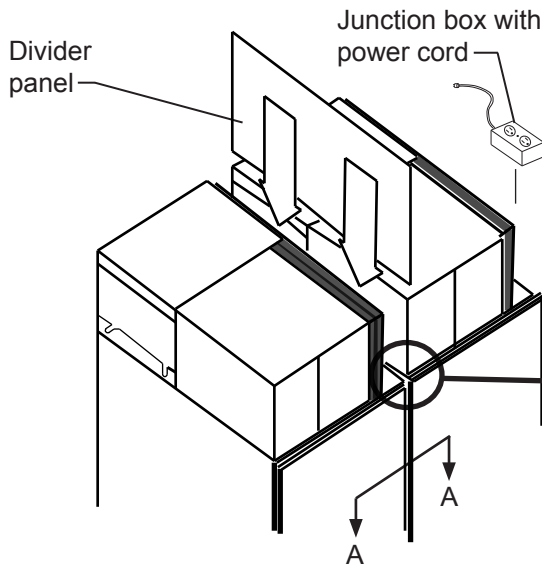
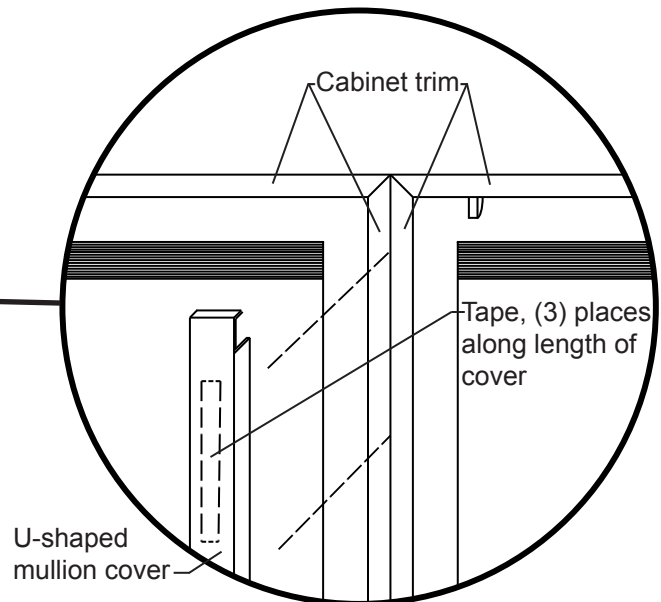


Figure 14



### Securing the trim:

Install a wood shim (provided) cut to the dimensions shown in Section A-A to the side trim of the first cabinet to be installed in the rough in opening. After installing the second cabinet drill and install screws into the wood shim for the second cabinet.

### Mounting U-shaped mullion cover:

Remove paper backing from tape on inside of mullion cover (3) places. Press U shaped mullion cover over cabinet trim at center of cabinet as shown.

## INSTALLING THE POWER MODULE

### Placing power module on top of cabinet:

Place module on top of the cabinet with rear shoulder screws resting on the locator brackets behind the front slots. Slide module toward the rear of the cabinet until the rear shoulder screws engage the slots in the rear of the brackets. Rest the front shoulder screws into the front slots of the brackets.

### NOTE

Check to make sure wiring and ice maker tubing is clear and not interfering with module seal. Do NOT start product during construction, as dust can block module condenser coils. If dust accumulates on coils, vacuum immediately, using a soft brush attachment.

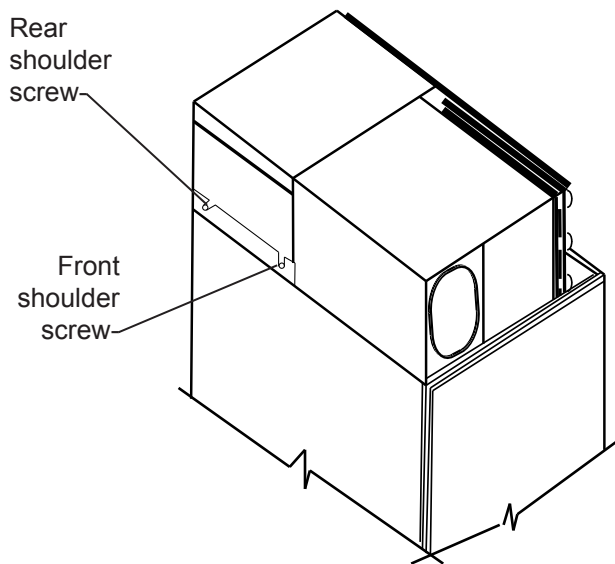


Figure 15

### WARNING

#### TIPPING HAZARD

When installed the power module is not fastened to the cabinet. It must be removed when the cabinet is tipped or transported.

### WARNING

#### EXCESSIVE WEIGHT HAZARD

Use two or more people to move product. Failure to do so can result in back or other injury.

### WARNING

#### EXPLOSION HAZARD

Do not operate the refrigerator/freezer in the presence of explosive chemicals or fumes.

### Power module electrical connections:

Make electrical connections from the top of the lower cabinet to the junction box at left side of module. With ice maker, be sure to plug the ice maker line into the module, and the solenoid valve as well. See module diagram Figure 16.

Run the power cord in front of power module on top of cabinet around the right side of power module to the electrical outlet. See Figure 16.

**On 18" wide freezer models only (M42CSS) (M48CSS) (MPRO48CSS):** Plug in the (5) electrical connectors for the lights coming from the cabinet into the (2) power supplies which are attached to the power module, see Figure 17.

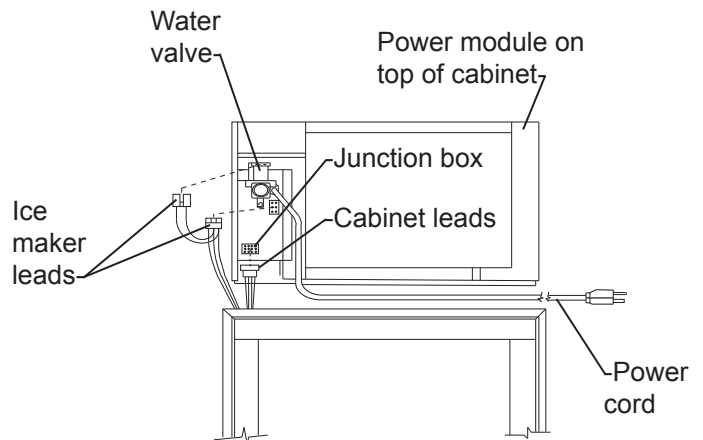


Figure 16

# INSTALLING THE ICE MAKER WATER VALVE

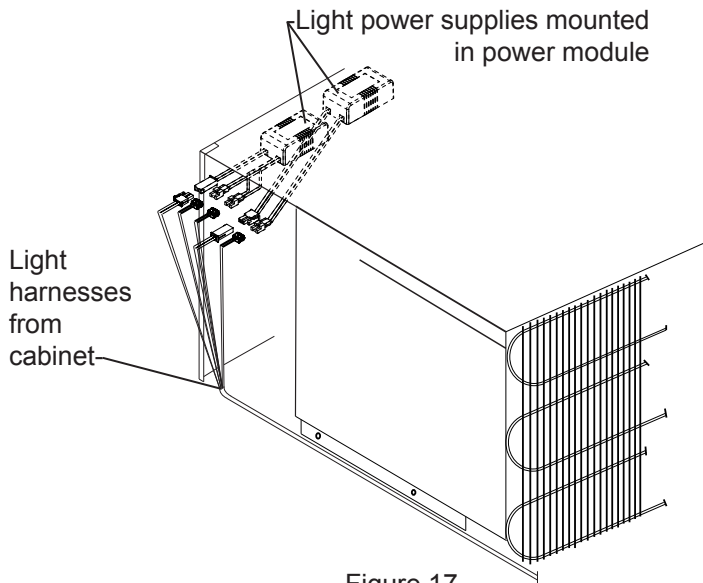


Figure 17

## NOTE

An inline water filter can be used with this ice maker and is recommended. A shutoff valve should also be installed in the water line. Do not use a self-piercing type valve.

### Ice Maker (Solenoid) Connection

The water valve and the water line fittings are packed inside the cabinet in a plastic bag.

Remove the two screws from the bracket which is on the left side of the of the power module cover. Use these two screws to install the water valve on the bracket as shown in Figure 18.

Slip solenoid valve compression nut and compression sleeve on copper tubing as shown in diagram. Tighten nut onto water valve with adjustable wrench.

Remove the red plug from the end of the ice maker fill hose coming from the cabinet and clamp the hose onto the water solenoid valve as shown. Tighten clamp securely. Turn on the water supply and check all fittings for leaks.

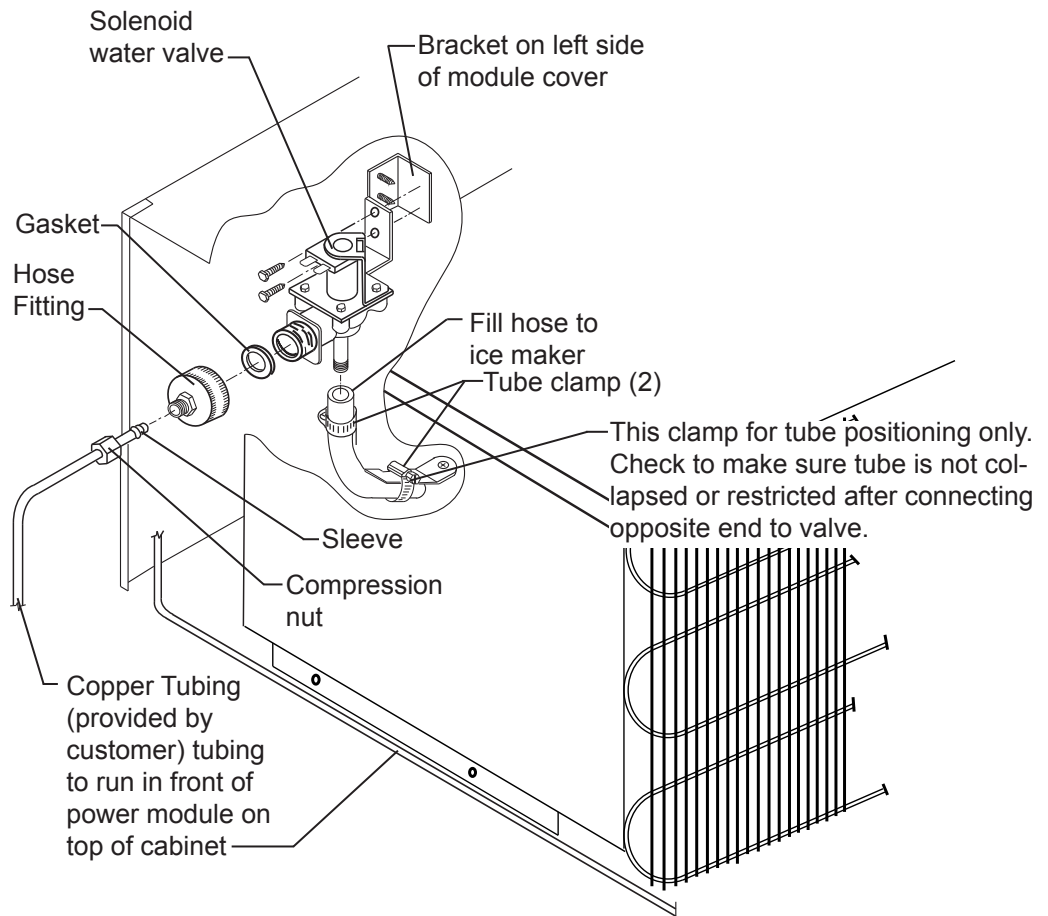


Figure 18

## INSTALLING THE GRILLE

There are three methods that can be used to install the grille. Pick the method that suits your installation.

**Style 1:** Brackets are installed on top of the cabinet, toward the back, and springs are used to secure the grille.

**Style 2:** (Optional) Brackets are installed on top of the cabinet, toward the front, and the grille is secured to the brackets with screws.

**Style 3:** The top of the grille is fastened to the adjoining cabinetry with a screw. This style is used primarily for the custom overlay panel style grilles to match surrounding cabinets.

### Style 1 mounting method:

1. Remove screw A in mounting bracket. Mount L-bracket with screw A. See Figure 19.
2. Hook one end of spring (81050-000) through hole in L-bracket. Holding the fascia in position - stretch the spring and secure the hook end to the fascia through a square top hole in the fascia.

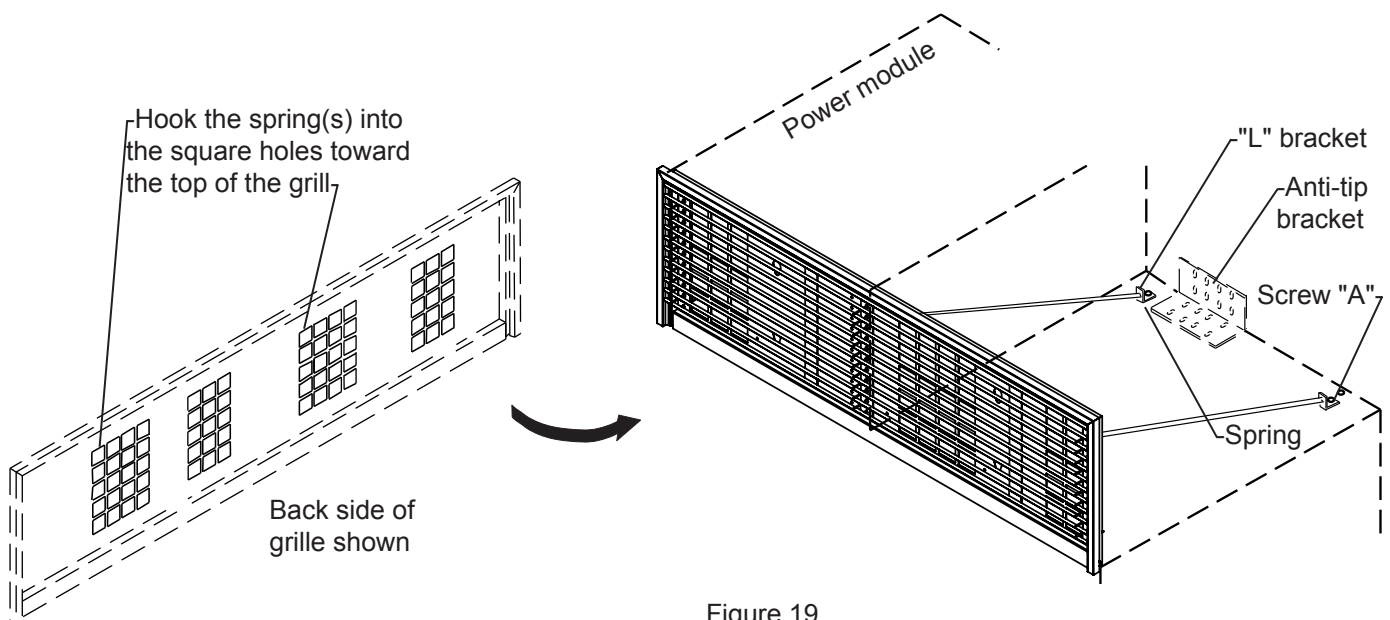


Figure 19  
Style 1

# INSTALLING THE GRILLE

## Style 2 mounting method:

### Instructions for Installing Grille Brackets

This is an optional accessory, order part number S34060-000.

1. Use the two (91180-000) screws to secure each bracket to the cabinet top. See Figure's 20 and 21.
2. Loosen the screws at the top of the mounting bracket. Leave  $\frac{1}{8}$ " (2-3 screw threads) sticking through the bracket.
3. Install the grille by aligning the screws in the top of the bracket with the slots in the grille top trim.
4. Grille is installed when bottom of the grille fits behind the cabinet trim across the front.
5. Pull grille forward about an inch at the top and retighten the screws in the top of the bracket.

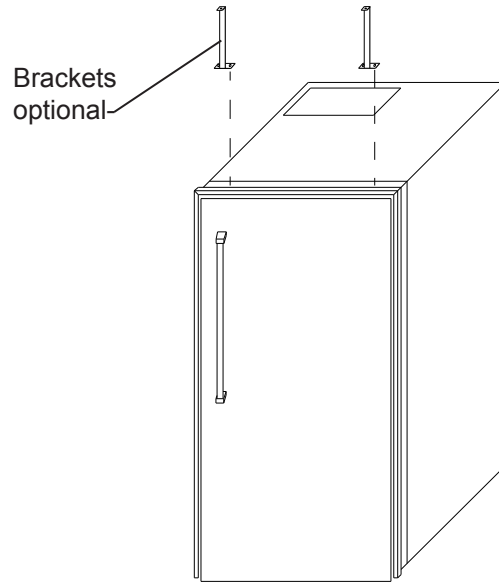


Figure 20 Style 2

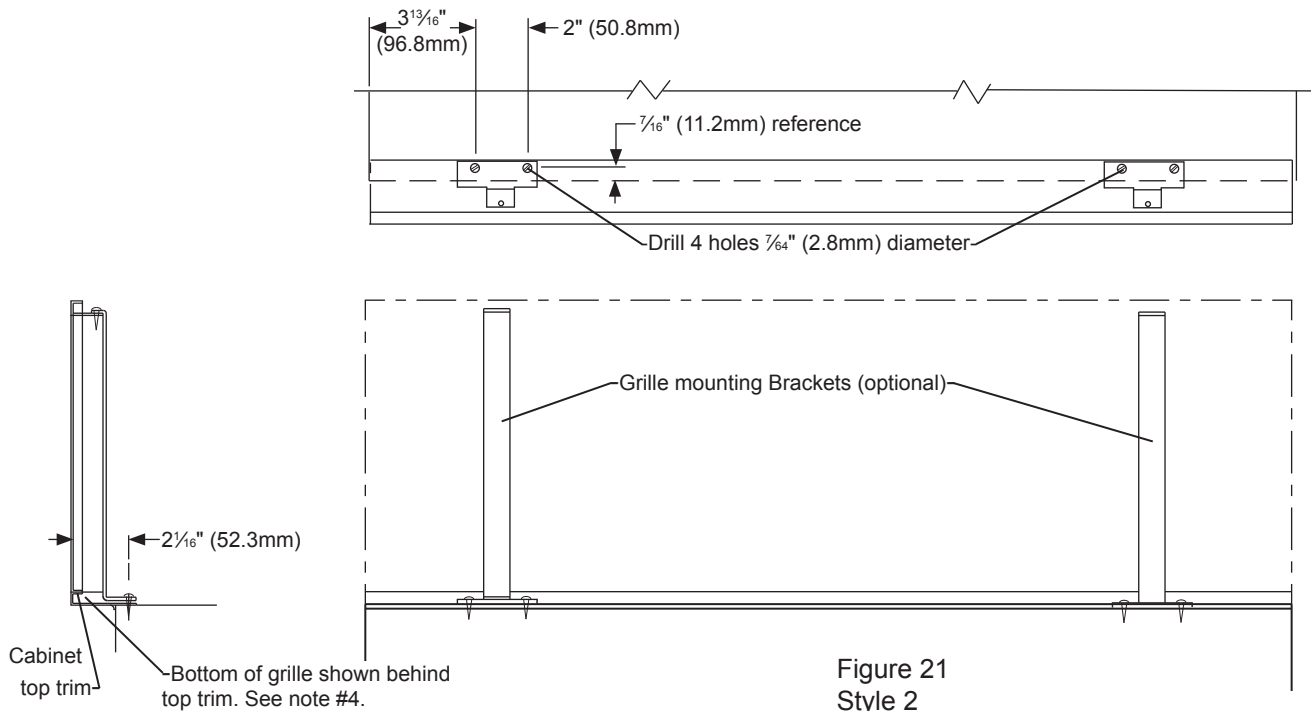


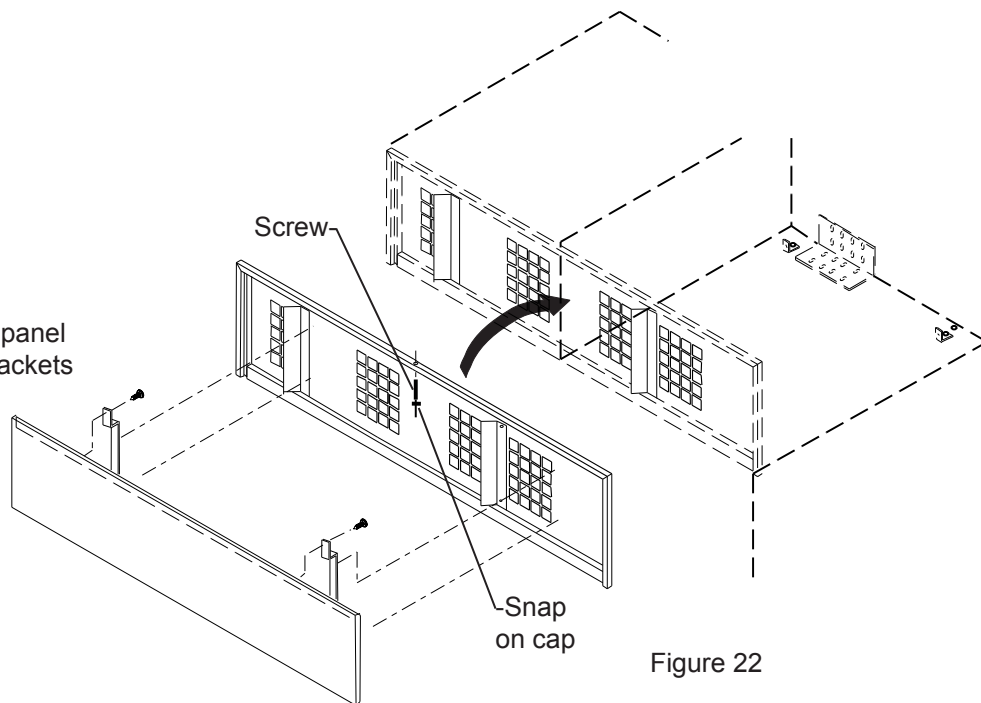
Figure 21  
Style 2

# INSTALLING THE GRILLE

## Style 3 mounting method:

Fasten top of grille to enclosure with screw provided.  
Cover screw head with snap-on cap. See Figure 22.  
Cut custom facia panel and mount facia bracket per the instructions on next page. Install facia to grille back by inserting shoulder rivets on back of facia bracket into large ends of teardrop holes. When all 4 rivets are engaged in the teardrop holes slide the facia downward until shoulder rivets bottom out in small ends of teardrop holes.

For cutting grille facia panel and mounting facia brackets see page 22.



# CUSTOM GRILLE FACIA AND DOOR PANELS

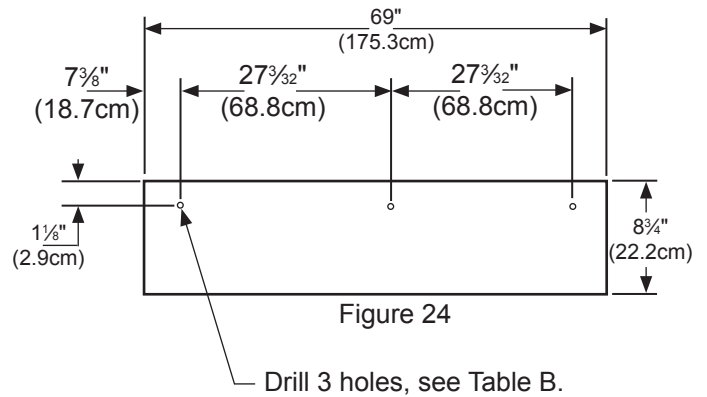
## Mounting grille facia panel:

Depending on your model cut the facia panel to the size shown in Figure 23 or Figure 24. Drill the two facia bracket screw pilot holes in the back side of the facia panel as noted in Figure 23 or 24. See Table B, for sizes. Fasten the two or three facia brackets to the back side of the facia panel with 2 or 3 of the screws provided. See Figure 25.

Align the facia brackets so they are parallel to the short edges of the facia panel and drill the remaining 2 or 3 bracket holes using the holes in the facia brackets as guides. Secure the bottom of the brackets with the 2 or 3 remaining screws.

The facia panel may now be mounted to the grille back.

## Facia Diagram for 72" Wide Models:



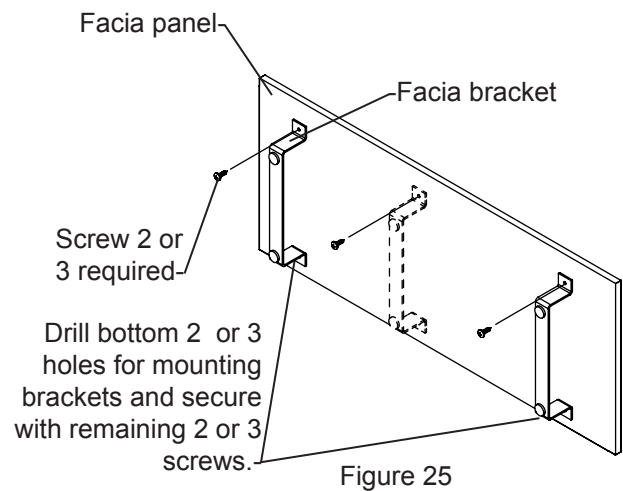
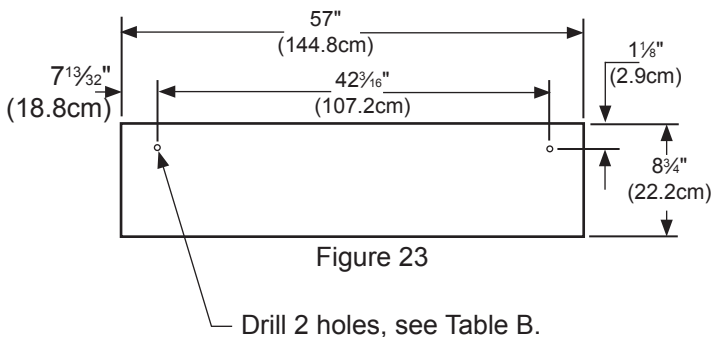
MATERIAL	HOLE SIZE
Hardwood	1/8" (3.2mm)
Softwood	7/64" (2.8mm)

Table B



When cutting the facia panel for the grille do not make it larger than the size noted in Figure 23 or 24. Air flow to the condenser in the power module would be compromised. Grille facia panels must not exceed 20 pounds (9.1kg), panels weighing more could cause product damage. Do NOT use glass, mirrors, granite or similar heavy materials for panels.

## Facia Diagram for 60" Wide Models:





# CUSTOM GRILLE FACIA AND DOOR PANELS

## Custom Door Panel Installation Instructions

### Determine Wood Screw Requirements

1. A #10 pan head wood screw should be used to properly secure the overlay panel. Screws are supplied with unit.
2. Use only pan head screws.
3. If your overlay panel is thinner than  $\frac{5}{8}$ " (15.9 mm) you will need to purchase shorter screws. The longer screws will break through the front of the panel.



## WARNING

### EXCESSIVE WEIGHT HAZARD

Use two or more people to move product.  
Failure to do so can result in back or other injury.

## Step #1: Remove the Door

Support the door at the floor.

1. Loosen the set screw in the bullit cap with a  $\frac{3}{32}$ " hex key and remove the bullit cap from the hinge pin by sliding off. Do this to both the top hinge and at the bottom hinge. Set aside parts for later reassembly.
2. Loosen  $\frac{5}{16}$ " Hex Nut underneath the hinge with a  $\frac{1}{2}$ " open end wrench, unscrew completely from the hinge pin.
3. Make sure the door is supported, and remove the hinge pin from the cabinet hinge with a flat bladed screw-driver.
4. Carefully lift the door off the lower hinge.
5. Assemble parts in reverse order.

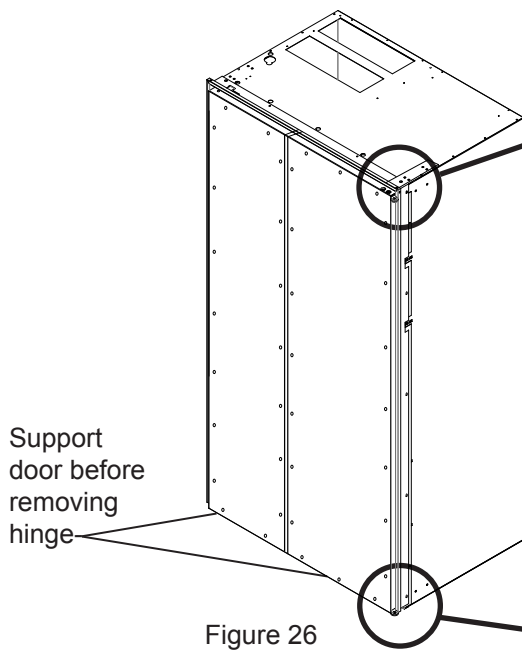


Figure 26

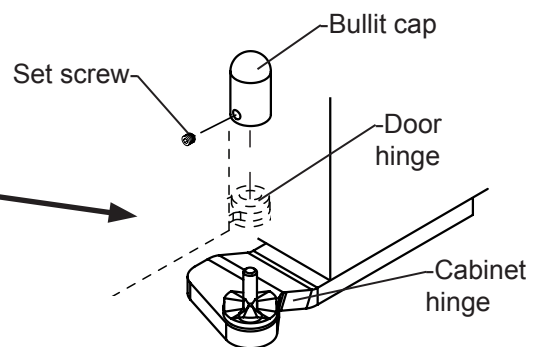
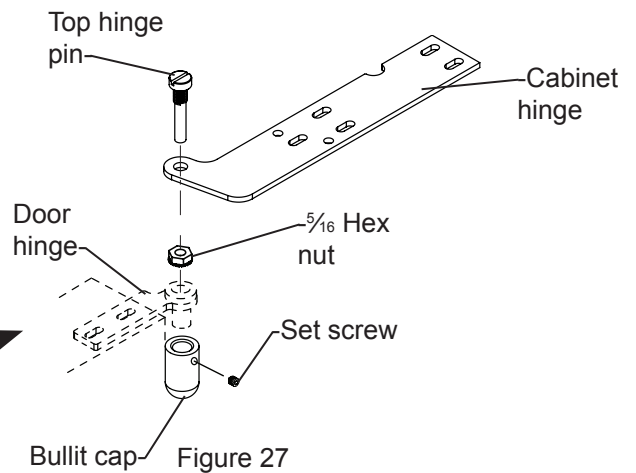


Figure 28

# CUSTOM GRILLE FACIA AND DOOR PANELS



Door panels MUST NOT exceed 50 lbs (22.7 kg). Do NOT use glass, mirrors, granite or similar heavy materials for panels. Panels weighing more than 50 lbs (22.7 kg), may cause product damage. We recommend that the door load (panel and food) NOT exceed 90 lbs (40.8 kg).

## Step 2: Size the Overlay Panel

Cut the custom overlay panel to the dimensions shown in Figure 29 and Table C and/or Figure 30.

This is also a convenient time to locate and drill the holes for your handle. Most often the handle is to match that of the surrounding cabinetry. If your handle attaches from the back-side of the custom panel, locate the mounting holes while the panel is attached to the door and cabinet. After the panel is removed from the door, drill the mounting holes from the front, to the recommended diameter of the handle manufacturer. Counter bore the back-side of the panel so the screw heads do not interfere with the surface of the door.

MODEL	"D" Freezer Solid Door	"D" Refrigerator Solid Door
M60CSS-SGP	22 <sup>5</sup> / <sub>16</sub> " (56.7cm)	See Figure 30
M72CSS-SGP	34 <sup>5</sup> / <sub>16</sub> " (87.2cm)	See Figure 30
M60CSS-WP	22 <sup>5</sup> / <sub>16</sub> " (56.7cm)	34 <sup>5</sup> / <sub>16</sub> " (87.2cm)
M60CSS-SP	22 <sup>5</sup> / <sub>16</sub> " (56.7cm)	34 <sup>5</sup> / <sub>16</sub> " (87.2cm)
M72CSS-WP	34 <sup>5</sup> / <sub>16</sub> " (87.2cm)	34 <sup>5</sup> / <sub>16</sub> " (87.2cm)
M72CSS-SP	34 <sup>5</sup> / <sub>16</sub> " (87.2cm)	34 <sup>5</sup> / <sub>16</sub> " (87.2cm)

Table C

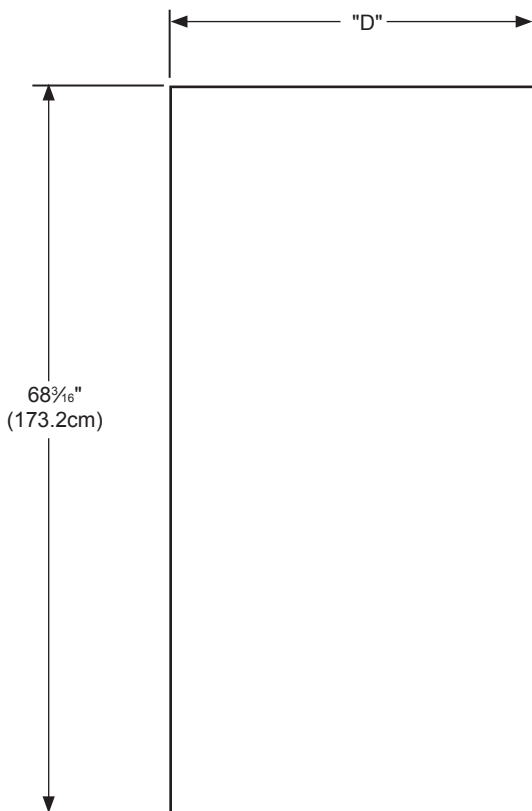


Figure 29

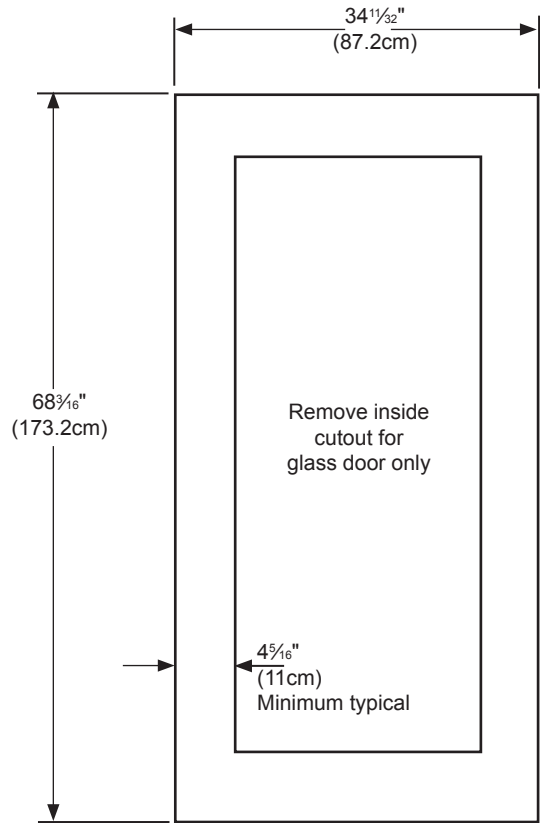


Figure 30

# HINGE AND GASKET ADJUSTMENTS

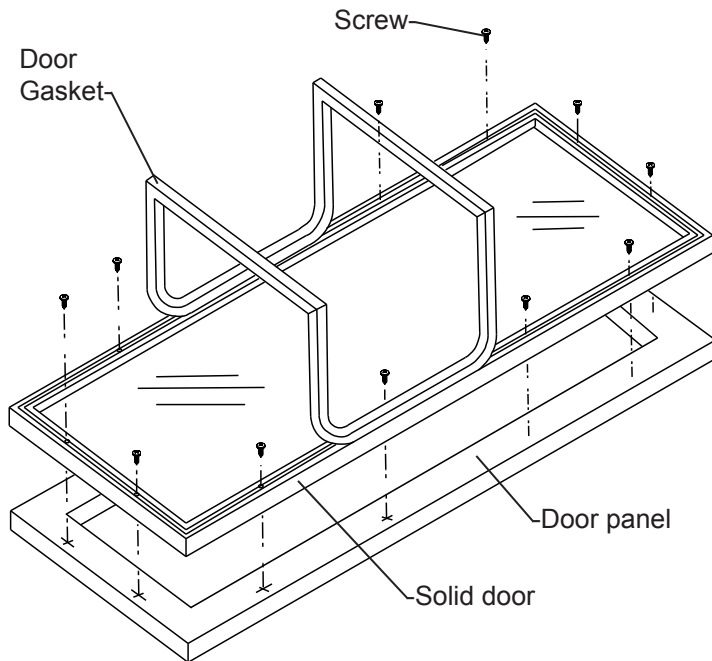


Figure 31

## Hinge and Gasket Adjustment

It is possible that doors may become out of adjustment in shipment.

If product is installed slightly "out of level", doors may not line up properly. Check this BEFORE adjusting hinges.

### NOTE

Door gaskets occasionally compress in shipment. If gasket does not seal all around, warm slightly with a hair dryer and pull outward softly until magnet in gasket seals against cabinet.

To expose concealed door hinge screws, remove plug buttons if present. All hinge sections attached to doors adjust left or right. Top and bottom cabinet hinges are also adjustable in and out. See Figure 32 (shown without cabinet trim).

## Step 3: Attach the Overlay Panel to the Door

1. Remove the gasket from the door front. (See Figure 31). Do this by pulling the gasket out of the channel that holds it to the door front. This will expose the clearance holes for mounting the custom overlay panel. (See Figure 31).
2. Set the door on the overlay panel and align edges. (See Figure 31). Clamp panel in position and mark pilot hole locations. Pick the required pilot hole size from "Table D" below and drill the pilot holes ensuring not to drill all the way through the overlay panel.

Table D: Pilot Hole Drill Sizes for Wood Screws

Material Type	#10 Wood Screw
Hardwood	$\frac{9}{64}$ " (3.6mm) Diameter
Softwood	$\frac{1}{8}$ " (3.2mm) Diameter

3. Insert wood screws through clearance holes and tighten to secure overlay panel.
4. Reinstall gasket into channel. Make sure the corners are fully inserted.
5. Install the door back on the cabinet by reversing the procedure in Step 1.

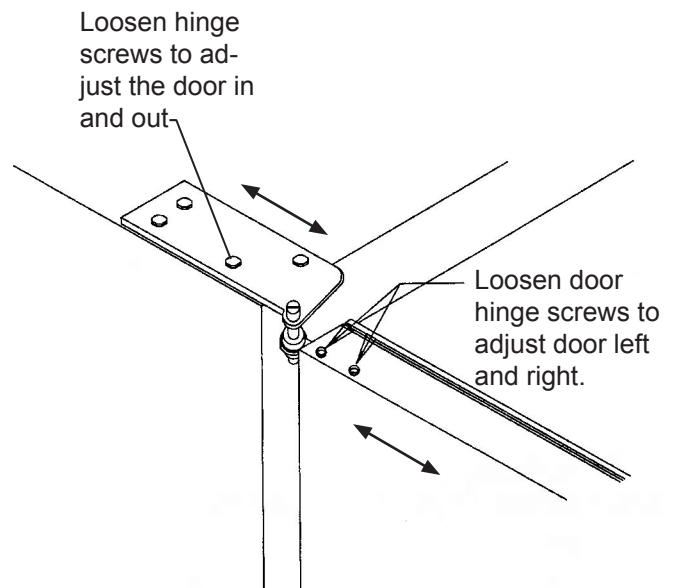


Figure 32

# INSTALLING SIDE PANELS AND KICK PLATE

## Instructions for Fastening Side Panels to freezer

1. Side panels should be 24" (61cm) deep or 24 5/16" (61.7cm) deep when tucked into the front trim.
2. Panel height to match installation height.
3. Install the side panels per drawings on the right.

### NOTE

To avoid damage to panels or flooring, raise panels slightly, to clear floor when installing.

Drill three (3) holes equal distance apart in vertical section of aluminum frame and install pan head screws as shown.

Anchor side panel with screw as shown. Be sure screw used goes no more than 1/2 inch deep into product. Do NOT overtighten.

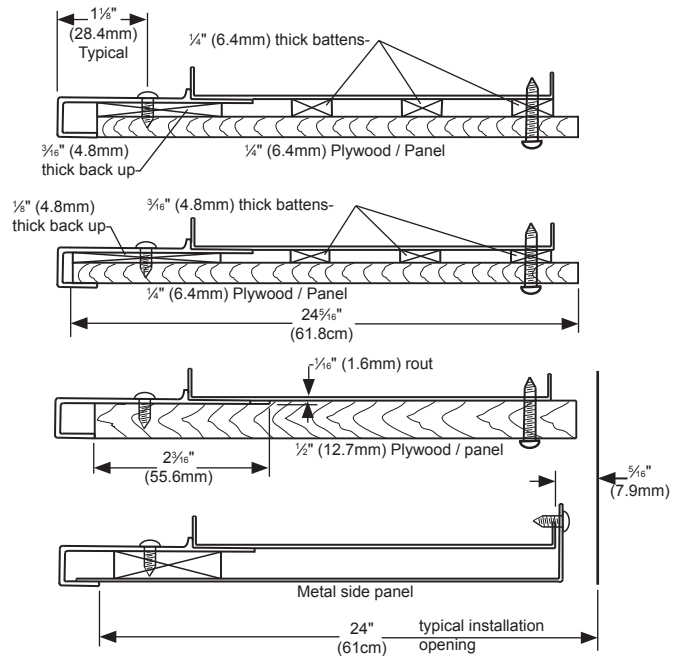


Figure 33

## Kick Plate Installation

Use two (2) #8 sheet metal screws (supplied) to facilitate holding your kick plate in place. Mount screws in holes in roller base. Cover screw heads with caps supplied. (See Figure 34).

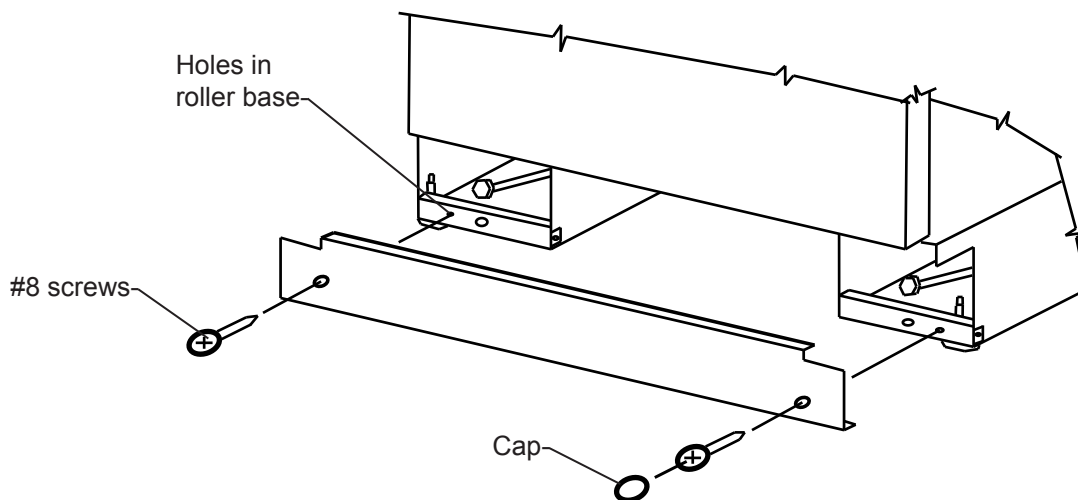


Figure 34

# INSTALLATION CHECKS/COMMON ERRORS

## Installation Checks

- Anti-tip mounting bracket must be installed correctly and anchored to prevent cabinet from tipping forward.
- Module should be engaged in the slots on the module positioning brackets and seated on the foam seal without air gaps. Module positioning brackets should not be removed.
- All wires from the lower cabinet to module must be securely connected. If a problem is suspected, inspect both male and female plugs and ensure that the terminals in the plug are sufficiently forward to engage.
- Cabinet must be level both side-to-side and front-to-back. Front leveling legs should rest firmly on the floor. Cabinetry on both sides of the cabinet must be secure and level to prevent the cabinet from shifting when the doors are opened.
- Doors must not hit adjacent walls or countertops.
- Gaskets must seal completely. If gaskets seal well, no further adjustments need to be made.
- Do NOT overcrowd the shelves or block cold air ducts.
- Do NOT install a freezer shelf closer than 8 inches from the interior top.
- Do NOT allow packages to overhang sides or rear of shelves as this will block air circulation, making the freezer less efficient.

## Common Installation Errors

- Any air leaks between the module and the cabinet will keep the cabinet from operating efficiently.
- The electric outlet must be located in a manner that will not interfere with module to cabinet alignment when the unit is pushed into place.
- Power cord to outlet sitting under the power module will create an air leak.
- Plugs from cabinet not connected to the power module.
- Floor under products lower than finished floor making the unit inaccessible for service. Floor under product must be strong enough to support weight of fully loaded refrigerator/freezer.
- Product not anchored properly (to prevent tipping). Bracket not secured to rear wall studs.
- Failure to properly level the cabinet and/or power module can result in defrost water overflowing.

## Use and Care Guide:

**CONGRATULATIONS!** You are now the proud owner of a superb, beautiful and durable addition to your kitchen. The following information will help you get the most pleasure from your purchase.

### Using your refrigerator:

Cool flowing air keeps your refrigerated foods fresh. Large containers placed close together may restrict the flow of air. Space food so cool air can flow around it.

To retain maximum moisture and flavor, cover containers or seal food in moisture proof wrap. Odorous foods which might affect others should always be covered.

Meat, fish and poultry can be stored safely in the refrigerator section for a few days, but as a general rule, the freezer should be utilized for longer storage.

Vegetables and fruits should be washed, dried and stored in the slide-out crisper. They will last longer in closed plastic containers or wrapped in plastic film.

Cover left-overs and use within a couple of days.

Shelves adjust to many positions, allowing versatile storage and maximum use of space. The adjustable door shelves hold abundant storage, even tall bottles. Firmly lock shelves in place before use.

## NOTE

Do NOT block air coming into the refrigerator section. Food or liquids can freeze if placed too close to inlet air.

All refrigerator crispers, and also the freezer basket supplied on the side-by-side models, are designed to be at the very BOTTOM of their compartments.

## USE AND CARE GUIDE

### Using your freezer:

Meats, fish and poultry pre-packed in plastic (self-service) wrap can be stored in the freezer for a couple of weeks. For longer freezer storage, wrap food in foil or other vapor-proof, moisture-proof freezer wrap. Frozen food containers should be sealed tightly. If food is wrapped in "Butcher Paper", remove and rewrap.

For more even temperature, space food so as not to restrict air flow, especially at rear.

Light frost may form on shelves when freezer door is open. After the door is closed, the air stream gradually removes the frost.

Varying amounts of frost will form occasionally in the freezer compartment, especially in areas near the top air return. This is normal adjunct of the moist cold air circulating in the refrigerator section to help food stay fresh longer.

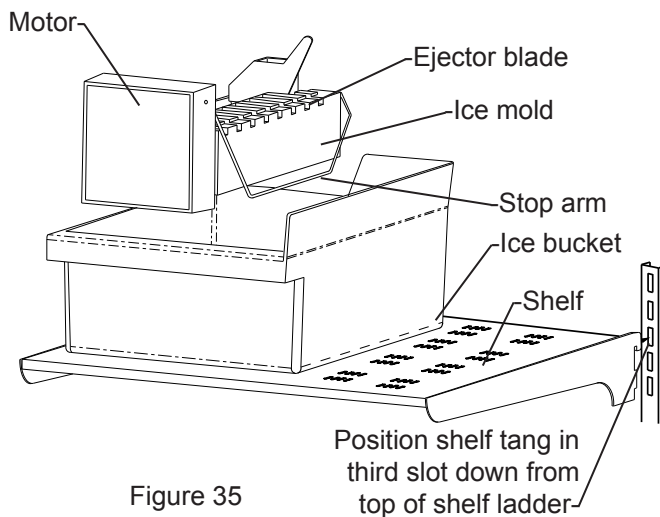
### If your freezer has an ice maker:

Install the freezer shelf in the third position down from the top of the shelf ladder (see Figure 35), this will position the ice bucket properly for operation of the ice maker.

First buckets may contain contamination from new installation. Throw away the first two harvests or until the ice is free of discoloration and taste.

The ice maker makes ice once the freezer is cold. It will turn off automatically when the ice bucket is full, provided the bucket is properly positioned. When installing the shelf for the ice bucket, place the shelf at the height as shown on the label on the left side of the freezer. See Figure 35.

Lift the Stop Arm up out of the way when removing and replacing the container.



When the bucket is full and in the proper (highest possible) position, the Stop Arm senses the ice and stops ice making.

To stop the ice maker, whether full or not, simply raise the Stop Arm to "up" position. To restart, lower the Stop Arm.

TIME PER CYCLE... Varies due to door openings, water temperatures, etc.

### NORMAL ICE MAKER OPERATION

- Sounds to be expected: motor hum; creaking of the Ejector Blade; ice dropping into the bucket; running water; water supply valve snapping open.
- Frost formations in area of the ice maker: Since fresh water enters the form, frost build-up near the ice maker occurs. This will not affect the operation of your freezer.
- Ice in the bucket for long periods may freeze together and acquire odors. Discard stale pieces... Your ice maker will make more.



## CAUTION

Never place fingers, foreign objects or food packages near the Ejector Blade.

### Typical cycle of ice maker:

1. The ice maker fills with water.
2. When the water freezes, the motor rotates Ejector Blade against the ice. The blade stops when it touches the ice.
3. The heater releases the ice from the form.
4. The motor starts again. The blade moves ice from the form into the bucket. The Ejector Blade makes two (2) revolutions and then the ice maker fills with water again.

## USE AND CARE GUIDE

### Temperatures:

The temperature is automatically controlled by a thermostat. The freezer control is located in the roof of the freezer. Three "3" is a good setting to start out with... Lower numbers for warmer temperatures and higher numbers for coldest temperatures.

### NOTE

To help keep food fresh longer, some moisture is desirable in the food storage compartments. You may see it on the walls, or in the form of droplets of ice or "icicles"... especially in hot or humid weather, or when frequent or extended door openings occur. This is normal, and not in any way harmful. If occasional "spot" build-ups occur, it is usually the result of the above, or of "overcrowding" of food. Occasionally remove such accumulation.

### Defrosting:

Defrosting is automatic. It takes place in the Power Module, above and away from your food. For several minutes each day the compressor and interior fan will shut off, while any ice accumulation is removed from the coils.

### Cleaning:

It's easy to keep your Built-In freezer clean. Occasionally, clean the interior walls, shelves, door interiors and gaskets with a solution of two (2) teaspoons of baking soda dissolved in a quart of lukewarm water. Harsh abrasives and cleaning powders are unnecessary and should never be used. Do not place parts in the dishwasher.

It is recommended that circuit breakers be shut off before cleaning. Wring excess moisture from sponge or cloth and avoid excess moisture, especially when cleaning in the vicinity of switches, lights or controls.

If your unit has a stainless steel interior, shelves or exterior door then use a stainless steel cleaner and a cloth to clean.

### Condenser cleaning procedure:

The condenser is located behind the top grille. It is a part of the Power Module on its very right hand side. It has horizontal tubes with small diameter vertical wires and it is black in color. It is away from floor dust, however, **it should be examined for dust accumulation at least two (2) times a year, and cleaned and/or vacuumed as necessary.** Remember to shut off the circuit breaker before removing the grille and before exposing, cleaning, and/or vacuuming the condenser.

The louvered black or stainless steel grille is all one assembly. There are 3 ways to remove the grille. The most widely used method of mounting is with springs. The spring(s) are located behind the grille back. The spring(s) are mounted to the top of the cabinet and hook to the square holes in the grille back. To remove the grille, pull the grille forward and reach down to the spring and unhook it from the grille back. The grille back will be free to be removed.

The second method (optional) is with mounting brackets behind the grille back. Pull the grille forward about one (1) inch to expose the top screw in the brackets. Unscrew the screw to loosen it but do not remove it. Do this to each bracket. CAUTION, when the screw is loosened, the grille back will be loose, do not allow it to fall. Grasp the grille back on each side and tilt the top forward and lift upward to free the grille from its mounting.

A custom panel grille can be removed by lifting up on the fascia panel and pulling forward on the fascia panel. The grille back is held in place by a screw at the center going up into the adjacent cabinet. Remove this screw and the grille back can be removed.

The louvered grille is heavy so use care when removing. Now you can inspect the condenser for dust accumulation.

Be sure to refasten top grille after cleaning to avoid injury, as grille could fall if not properly fastened.

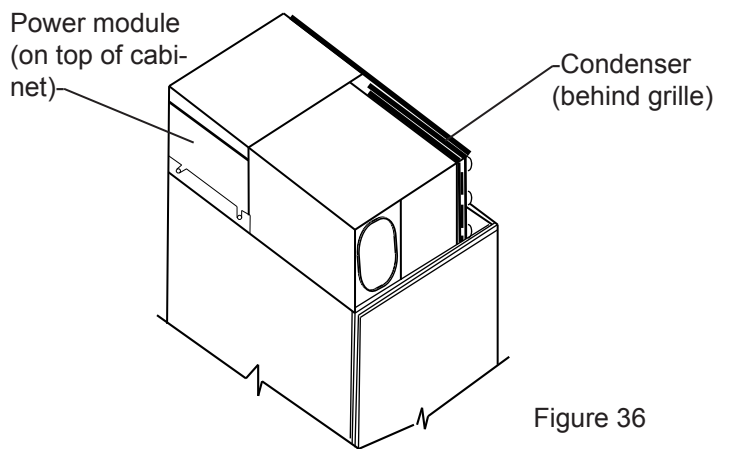


Figure 36



## ENERGY SAVING TIPS AND PRODUCT SOUNDS

### The following suggestions will minimize the cost of operating your refrigeration appliance.

1. Do not install your appliance next to a hot appliance, (cooker, dishwasher, etc.), heating air duct, or other heat sources.
2. Install product out of direct sunlight.
3. Ensure the front grille vents at front of unit above door are not obstructed and kept clean to allow ventilation for the refrigeration system to expel heat.
4. Plug your appliance into a dedicated power circuit. (Not shared with other appliances).
5. When initially loading your new product, or whenever large quantities of warm contents are placed within refrigerated storage compartment, minimize door openings for the next 12 hours to allow contents to pull down to compartment set-point temperature.
6. Maintaining a relatively full storage compartment will require less appliance run time than an empty compartment.
7. Ensure door closing is not obstructed by contents stored in your appliance.
8. Allow hot items to reach room temperature before placing in product.
9. Minimize door openings and duration of door openings.
10. Use the warmest temperature control set-point that meets your personal preference and provides the proper storage for your stored contents.
11. When on vacation or away from home for extended periods, set the appliance to warmest acceptable temperature for the stored contents.
12. Set the control to the "off" position if cleaning the unit requires the door to be open for an extended period of time.

### Product Sounds:

Your new refrigerator/freezer may make sounds unfamiliar to you. These sounds normally indicate that the refrigerator/freezer is operating correctly. Note that hard surfaces around your product installation may make sounds more noticeable.

Following is a list of normal operating sounds that you may hear from your new appliance:

1. The compressor will cycle on and off to provide cooling as required. You may hear a click when the compressor cycles on, and may also hear pulsating, and/or, a high-pitched hum sound when the compressor is running. Run time may vary due to ambient temperature, usage/door openings, and warm food loads.
2. The condenser fan will cycle on and off with the compressor to remove heat from the product. When running you may hear a motor hum, and an air rush noise as air is forced through the condenser heat exchanger.
3. The evaporator fan will also cycle with the compressor to provide cooling in the storage compartments. When running you may hear a motor hum and air noise. These noises will be noticeably louder when the storage compartment doors are opened.
4. Automatic defrost requires the use of an electric heater to periodically remove frost from the evaporator heat exchanger. When in defrost you may hear a sizzling sound as water may contact the heater element. Additionally, during defrost you may hear water dripping or running as the defrost water is routed to the drain pan.
5. Defrost is controlled with a mechanical timer. During the compressor off cycle, in a quiet environment, you may hear a faint motor running, and/or clock ticking sound.
6. When the compressor cycles off you may temporarily hear gurgling, boiling, or water flowing sounds. This results from the flow of refrigerant through the refrigerant tubing as the system pressures equalize during the off cycle.
7. Faint popping noises may be heard at any time resulting from thermal contraction and expansion of components in the compartments as temperatures change throughout the refrigeration cycle.
8. If your unit is equipped with an icemaker you will hear a buzzing sound when the water supply solenoid valve is activated. You will also periodically hear the ice harvest which includes motor running noise, cracking and movement of cubes from the ice mold, and cubes dropping into the ice storage bin.



# TROUBLESHOOTING AND OBTAINING SERVICE

## Before You Call for Service

If the unit appears to be malfunctioning, read through this manual first. If the problem persists, check the troubleshooting guide below. Locate the problem in the guide and refer to the cause and its remedy before calling for service. The problem may be something very simple that can be solved without a service call. However, it may be required to contact your dealer or a qualified service technician.



## WARNING

### Electrocution Hazard

Never attempt to repair or perform maintenance on the unit until the main electrical power has been disconnected. Turning the unit control "OFF" does not remove electrical power from the units wiring.

## Troubleshooting

If product does not start when plugged in, check the following:

- Does the light go on when the freezer door is opened? If NOT, check, then...
  - Is the cord from the lower cabinet plugged into the module?
  - Is the power cord plugged in at the receptacle?
  - Is the circuit breaker or fuse "on"? Check by plugging another electric device into the outlet.
- If light DID go on when the door was opened...
  - Turn the defrost timer clockwise (might be in "defrost") until compressor starts.
- If motor "hums", but does not start...
  - Check for adequate line voltage at the outlet.
  - The module may have been transported or stored on its side or upside down, causing temporary displacement of motor oil. Let rest 24 hours, then plug in again.

## If Service is Required:

- If the product is within the first year warranty period please call AGA MARVEL Customer Service at 800.223.3900 for directions on how to obtain warranty coverage in your area.
- If the product is outside the first year warranty period, AGA MARVEL Customer Service can provide independent qualified servicers in your area. This listing of independent qualified servicers is also available at [www.agamarvel.com](http://www.agamarvel.com) under the service and support section.
- In all correspondence regarding service, be sure to give the service number, serial number, (see page 4) located on your product's serial plate, and proof of purchase.
- Try to have information or description of nature of the problem, how long the unit has been running, the room temperature, and any additional information that may be helpful in quickly solving the problem.
- Table E below is provided for recording pertinent information regarding your product for future reference.

For Your Records	
Date of Purchase	
Dealer's name	
Dealer's Address	
Dealer's City	
Dealer's State	
Dealer's Zip Code	
Appliance Serial Number	
Appliance Service Number	
Date Warranty Card Sent (Must be within 10 days of purchase).	

Table E

# WARRANTY

## **Entire Product - Limited One Year Warranty**

AGA MARVEL warrants that it will supply all necessary parts and labor to repair or replace in your home, any component which proves to be defective in materials or workmanship, subject to the conditions and exclusions stated below, for the period of one year from date of sale.

## **Entire Product - Limited Second Year Additional Warranty**

During the second year, from date of sale, AGA MARVEL will provide all necessary parts only to repair or replace any component which proves to be defective in materials or workmanship, subject to the conditions and exclusions below.

## **Sealed System - Limited Six Year Additional Warranty**

During the second through seventh year, from date of sale, AGA MARVEL will supply all necessary parts and labor to repair or replace in your home, any portion of the hermetically sealed refrigeration system, which consists of: the compressor, condenser, evaporator, dryer and all connecting tubing, which proves to be defective in materials or workmanship, subject to the conditions and exclusions below.

## **Inner Liner - Limited Second Through Tenth Year Warranty**

During the second through tenth year, from date of sale, AGA MARVEL will provide all necessary parts to repair or replace the refrigerator/freezer inner liner if the paint chips or rusts and proves to be defective in materials or workmanship.

## **The above warranties do not cover:**

1. Customer education or instructions on how to use the refrigerator/freezer.
2. Any food loss due to product failure.

## **Nor do the above warranties cover failure of this product or its components due to:**

3. Transportation or subsequent damages.
4. Use commercially or use other than normal household.
5. Improper installation, misuse, abuse, accident or alteration, use on wiring not conforming to electrical codes, low voltage, failure to provide necessary maintenance or other unreasonable use.
6. Parts or service not supplied or designated by the factory.

## **The above warranties also do not apply if:**

1. The original Bill of Sale, delivery date or serial number cannot be verified.
2. The product is moved from place of original installation.

**THE WARRANTIES, SET FORTH HEREIN ARE THE ONLY WARRANTIES EXTENDED BY AGA MARVEL. ANY IMPLIED WARRANTIES, INCLUDING THE IMPLIED WARRANTY OF MERCHANTABILITY, ARE LIMITED TO THE DURATION OF THESE EXPRESS WARRANTIES. IN NO EVENT SHALL AGA MARVEL BE LIABLE FOR ANY CONSEQUENTIAL OR INCIDENTAL DAMAGES OR EXPENSES RESULTING FROM BREACH OF THESE OR ANY OTHER WARRANTIES, WHETHER EXPRESSED OR IMPLIED.** Some states do not allow the exclusion or limitation of consequential damages or limitations on how long an implied warranty lasts, so the above exclusion or limitation may not apply to you. This warranty gives you specific legal rights and you may also have other rights which may vary from state to state.

No person, firm or corporation is authorized to make any other warranty or assume any other obligation for AGA MARVEL. These warranties apply only to products used in any of the fifty states of the United States and the District of Columbia.

To obtain performance of this warranty, report any defects to:

**AGA MARVEL**  
**1260 E. VanDeinse St.**  
**Greenville, Michigan 48838**

For questions regarding coverage, contact your selling dealer or local distributor.

# NOTES

---



[www.agamarvel.com](http://www.agamarvel.com)



**AGA MARVEL**

1260 E. VanDeinse St.  
Greenville MI 48838

800.223.3900

35466-000 EN Rev F  
12/19/13

All specifications and product designs subject to change without notice. Such revisions do not entitle the buyer to corresponding changes, improvements, additions, replacements or compensation for previously purchased products.

**Instructions  
d'installation,  
d'utilisation  
et d'entretien**

**Construit en  
Côte à côte  
Réfrigérateur/Congélateur**

**M60CSS  
M72CSS  
M48C2TF  
M60C2TF  
M60CFR  
MPRO42CSS  
MPRO48CSS  
MPRO60CSS  
MPRO72CSS**



# CONTENU

Deballage de votre réfrigérateur /congélateur.....	3
Outils à avoir sous la main pour l'installation.....	3
Enregistrement de la garantie.....	4
Dimensions de porte plein de M(XX)CSS.....	5
Dimensions de porte plein de M60CFR-WS.....	6
Dimensions de porte plein de M(XX)C2TF.....	7
Dimensions de porte à revêtement plein de M(XX)CSS.....	8
Dimensions de porte congélateur plein et de porte réfrigérateur vitrée de M(XX)CSS.....	9
Dimensions de porte congélateur à revêtement plein et de porte réfrigérateur à revêtement vitrée de M(XX)CSS.....	10
Dimensions de porte plein de MPRO(XX)CSS.....	11
Dimensions de porte congélateur plein et de porte réfrigérateur vitrée de MPRO(XX)CSS.....	12
Considérations pour avant l'installation.....	13
Dimensions brutes d'ouverture recommandées.....	13
Choix de l'emplacement.....	13
Besoins électriques.....	14
Besoins en plomberie.....	14
Installation en angle.....	15
Installation de l'armoire.....	16
Considérations sur le dispositif anti-basculement.....	16
Mise à niveau de l'armoire.....	17
Installation des deux appareils côte à côte.....	18
Installation du module d'alimentation.....	19
Placement du module d'alimentation en haut de l'armoire.....	19
Raccordements électriques de module d'alimentation.....	19
Installation de la vanne sur le tube pour fabrication de glaçons.....	20
Installation de la grille.....	21
Tableau de grille et panneaux de porte personnalisés.....	24
Montage du panneau de tableau de grille.....	24
Instructions d'installation pour panneau de porte personnalisé.....	25
Réglage de charnières et de joint.....	27
Instructions pour fixer les panneaux latéraux.....	28
Installation de plinthe.....	28
Contrôles d'installation.....	29
Erreurs d'installation fréquentes.....	29
Guide d'utilisation et d'entretien.....	29
Utilisation de votre réfrigérateur.....	29
Utilisation de votre congélateur.....	30
Températures.....	31
Dégivrage.....	31
Nettoyage.....	31
Procédure de nettoyage du condenseur.....	31
Conseils pour économie d'énergie.....	32
Bruits en provenance du réfrigérateur.....	32
Dépannage.....	33
Obtention de service.....	33
Garantie.....	34

## Importantes instructions de sécurité

Les avertissements et les instructions de sécurité qui apparaissent dans ce guide n'ont pas la prétention de couvrir toutes les conditions et situations possibles pouvant arriver. Il faut faire preuve de bon sens, de précautions et de soins, pour installer, utiliser ou entretenir cet appareil.

## Reconnaissance des symboles, des mots et des étiquettes concernant la sécurité.



### AVERTISSEMENT

**AVERTISSEMENT** – Dangers ou pratiques dangereuses avec une forte probabilité de blessures corporelles et/ou de dommages pour le produit.



### ATTENTION

**ATTENTION** - Risques ou pratiques dangereuses pouvant entraîner des blessures individuelles, des dégâts matériels ou des dommages au produit.

### REMARQUE

**REMARQUE** - Information importante pour réaliser une installation et une utilisation sans problèmes.



**AGA MARVEL** s'engage à fabriquer un produit de qualité d'une manière ne nuisant pas à l'environnement. Nos procédés sont sévèrement contrôlés et surveillés de près. Nous avons obtenu les certifications ISO 9001 d'assurance qualité, et ISO 14001 de gestion environnementale, et OHSAS 18001 pour hygiène et sécurité du travail de Lloyd's Register Quality Assurance.

# DEBALLAGE DE VOTRE RÉFRIGÉRATEUR /CONGÉLATEUR



## AVERTISSEMENT

### RISQUE DE POIDS EXCESSIF

Utilisez deux personnes ou plus pour bouger et empiler le produit. Sinon vous pourriez souffrir du dos ou d'une autre blessure.



## ATTENTION

### Contribuez à éviter des tragédies

L'emprisonnement d'enfants et leur asphyxie ne sont pas des problèmes du passé. Des épaves de réfrigérateurs abandonnés continuent de présenter un danger - même en restant dehors pour «juste quelques jours».

Si vous devez vous débarrasser de votre vieil appareil de refroidissement, veuillez suivre ces instructions pour aider à éviter des accidents possibles.

Avant de jeter votre vieux réfrigérateur ou congélateur :

- Démontez ses portes ou enlevez ses tiroirs.
- Laissez les étagères en place de façon à ce que des enfants ne puissent pas facilement monter dedans.

### Enlèvement de l'emballage

Votre réfrigérateur /congélateur a été emballé pour l'expédition avec toutes les pièces pouvant être endommagées par le mouvement solidement attachées. Coupez le matériau de fixation en bas du carton, dépliez le carton par le bas et enlevez-le de l'appareil. Enlevez le sac en plastique, les cales d'angle en polystyrène expansé, et toutes les bandes adhésives maintenant la porte fermée et les composants à l'intérieur en place.

Le manuel de l'utilisateur est envoyé à l'intérieur du réfrigérateur /congélateur dans un sac en plastique, accompagné de la carte d'enregistrement de la garantie.

### Important

Conservez votre carton et l'emballage jusqu'à ce que votre réfrigérateur /congélateur ait été complètement inspectée et trouvée en bon état. S'il présentait des dommages, cet emballage serait nécessaire comme preuve qu'ils sont survenus durant le transit. Ensuite veuillez mettre toutes les parties de l'emballage au rebut de façon responsable, en particulier les sacs en plastique qui constituent un danger d'étouffement.

### Note pour le client

Cette marchandise a été soigneusement et complètement inspectée avant de quitter notre usine. La responsabilité pour sa livraison sûre a été assumée par le revendeur à l'acceptation de cette expédition. Les réclamations pour perte ou dommages survenus durant le transit sont à adresser au revendeur.

NE RENVOYEZ PAS DE MARCHANDISE ENDOMMAGÉE AU FABRICANT – DÉPOSEZ UNE RÉCLAMATION AUPRÈS DU REVENDEUR.

### Outils à avoir sous la main pour l'installation

- Tournevis à pointe Phillips
- Tournevis à lame plate
- Tourne-écrous 6 pans de calibre  $\frac{1}{4}$  et  $\frac{5}{16}$  po
- Niveau à bulles
- Perceuse avec foret N° 6 (0,204 po)
- Clés à fourche de  $\frac{1}{4}$ ,  $\frac{7}{16}$  et  $\frac{1}{2}$  po
- Pince à jointure glissante (motoriste)
- Clé à molette
- Mètre à ruban
- Clé à cliquet avec douille de  $\frac{7}{16}$  po
- Clé Allen 6 pans de  $\frac{3}{32}$  po



## ATTENTION

Si l'appareil a été livré étant sur le dos, ou y est resté pendant une durée quelconque, laissez le module de alimentation reposer debout pendant au moins 24 heures avant de la brancher électriquement. Cela assurera le retour de l'huile au compresseur. Un branchement immédiat du module de alimentation pourrait endommager des parties internes.

# ENREGISTREMENT DE LA GARANTIE

La plaque signalétique de module d'alimentation est derrière la grille à l'avant de ce module

La plaque signalétique de l'armoire est en haut de son revêtement intérieur du côté droit.

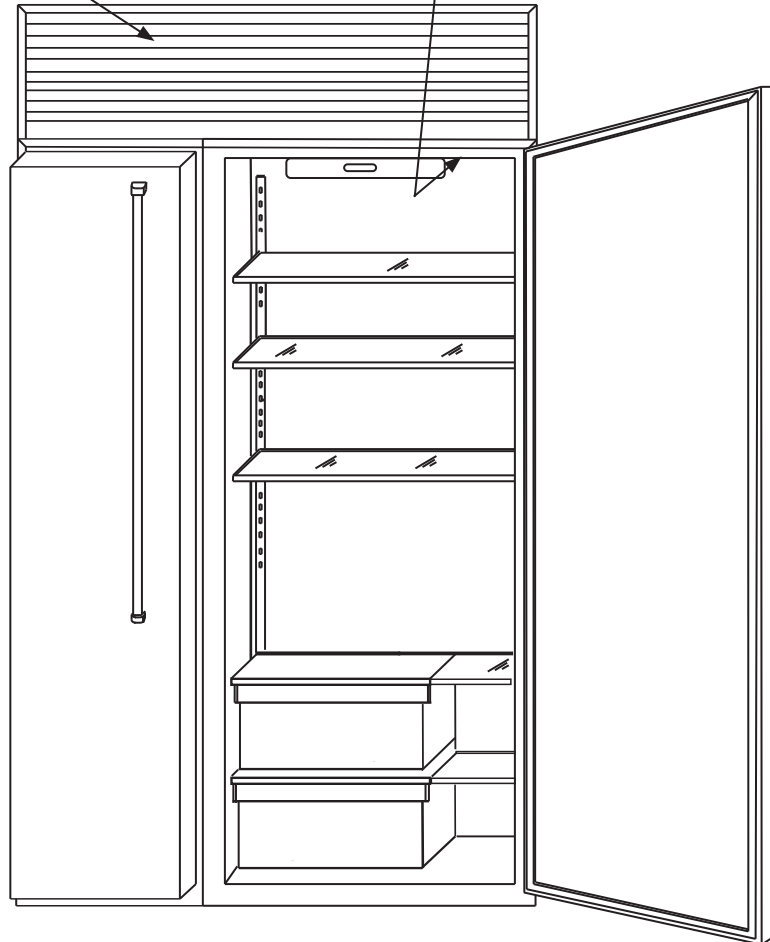


Figure 1  
Emplacements de  
plaques signalétiques  
(montré 42CSS)

Chaque appareil porte deux jeux de plaques signalétiques, ce qui amène à remplir deux rangs pour cartes d'enregistrement de garantie.

## Enregistrement de la garantie

Il est important que vous postiez votre carte de garantie immédiatement après avoir pris livraison de votre réfrigérateur /congélateur.

Les informations suivantes seront nécessaires au moment de l'enregistrement de votre appareil :

- Référence de service
- Numéro de série
- Date d'achat
- Nom et adresse du revendeur

La référence de service et son numéro de série se trouvent sur la plaque signalétique qui est située dans le réfrigérateur /congélateur, du côté gauche vers le haut du revêtement (Voir la Figure 1).

<b>AGA MARVEL</b> <small>GREENVILLE, MICHIGAN 48838 MADE IN USA</small>	
MODEL NO. <input type="text"/>	SERIAL NO. <input type="text"/>
SERVICE NUMBER <input type="text"/>	VOLTS <input type="text"/> AMPS <input type="text"/>
R134A <input type="text"/> OZ	HZ <input type="text"/> PH <input type="text"/> DEFROST <input type="text"/> APS <input type="text"/>
DESIGN PRESSURE	101 PSI LOW SIDE 218 PSI HIGH SIDE

Figure 2  
Plaque signalétique de module d'alimentation

<b>AGA MARVEL</b> <small>GREENVILLE, MICHIGAN 48838 MADE IN USA</small>	
MODEL NO. <input type="text"/>	SERIAL NO. <input type="text"/>
SERVICE NUMBER <input type="text"/>	AMPS <input type="text"/> POWER MODULE(S) <input type="text"/>
115 VOLTS, 60HZ, 1 PH	FOR USE WITH AGA MARVEL POWER MODULE(S): <input type="text"/>
	FREEZER REFRIGERATOR

Figure 3  
Plaque signalétique d'armoire

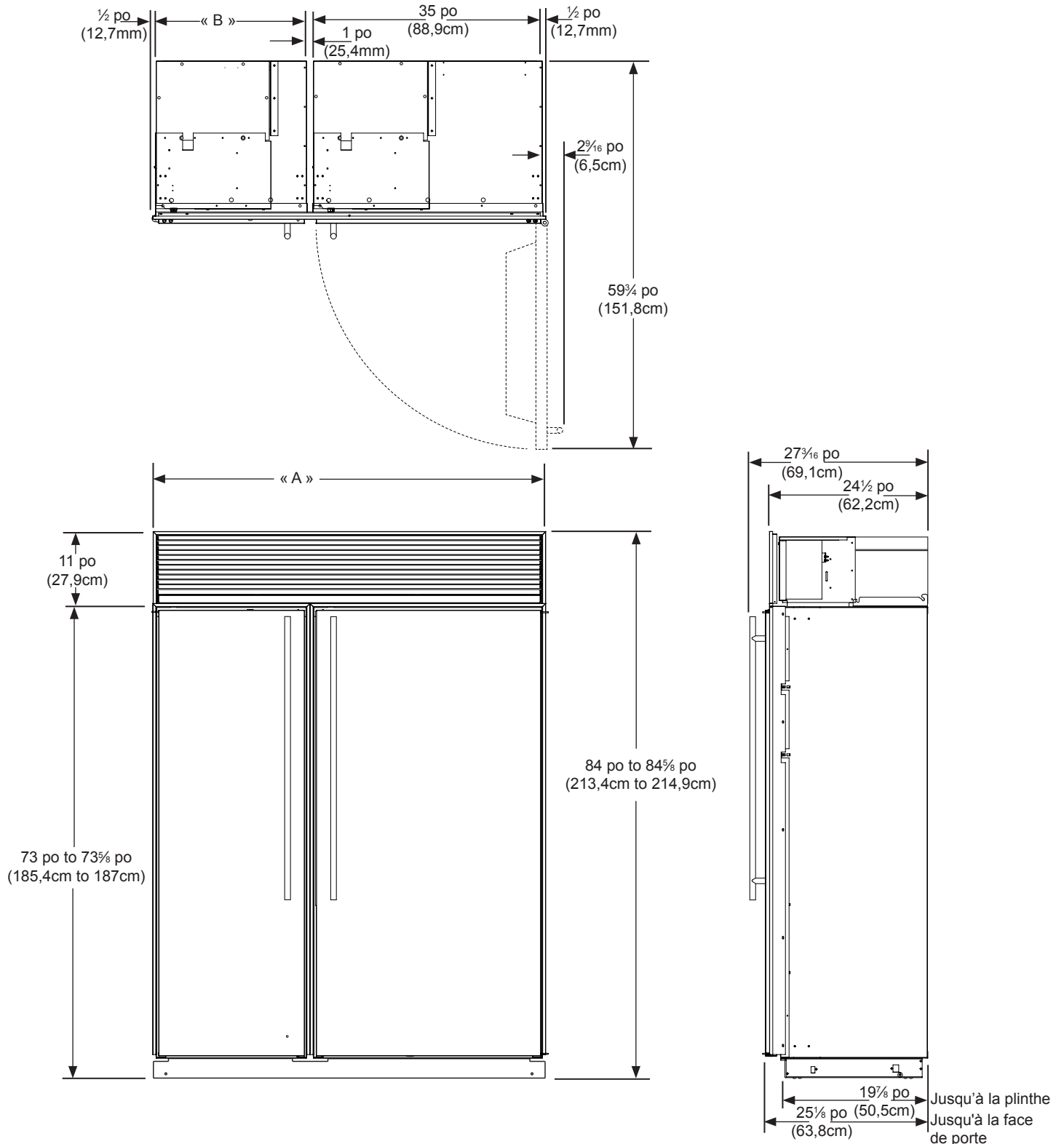


## DIMENSIONS DE PORTE PLEIN DE M(XX)CSS

MODÈLE	« A »	« B »
M60CSS-WS	60 po (152,4cm)	23 po (58,4cm)
M60CSS-SS	60 po (152,4cm)	23 po (58,4cm)
M72CSS-WS	72 po (182,9cm)	35 po (88,9cm)
M72CSS-SS	72 po (182,9cm)	35 po (88,9cm)

### Besoins électriques :

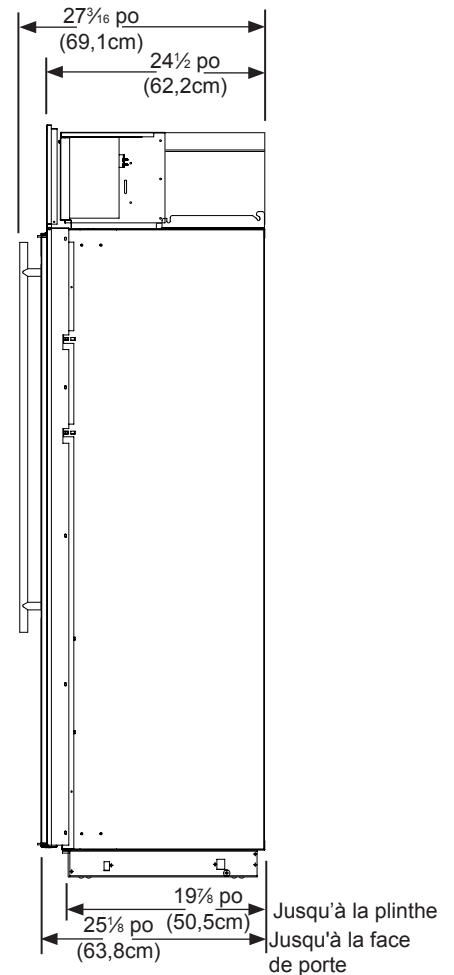
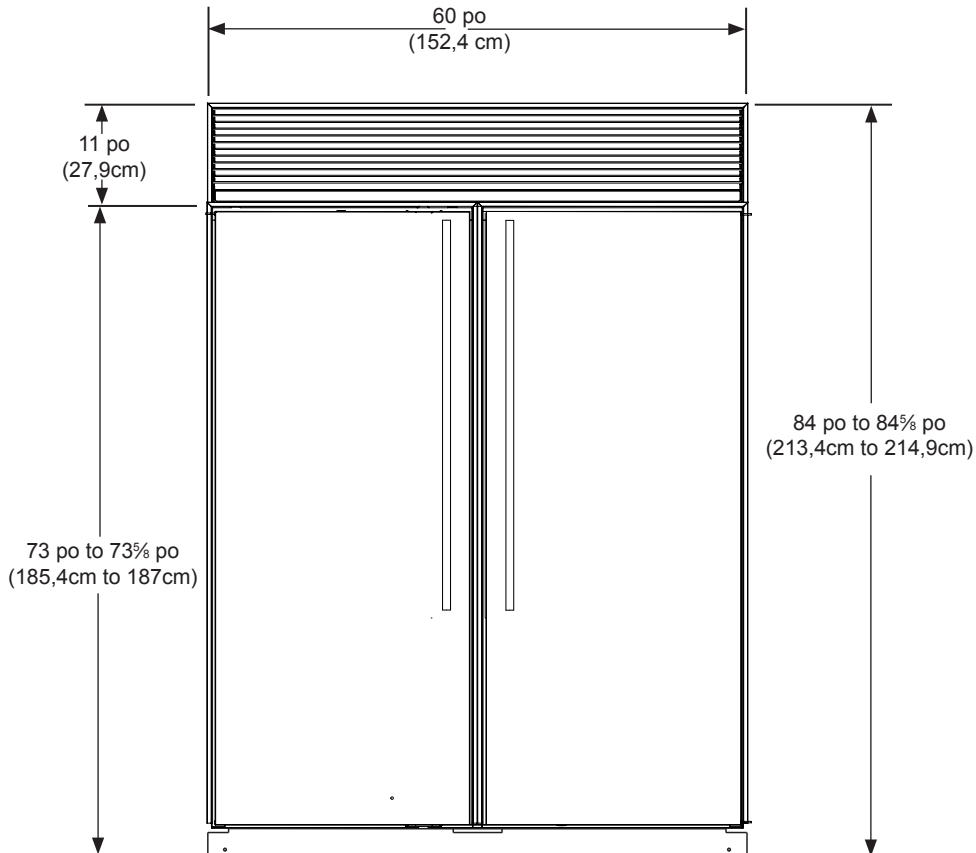
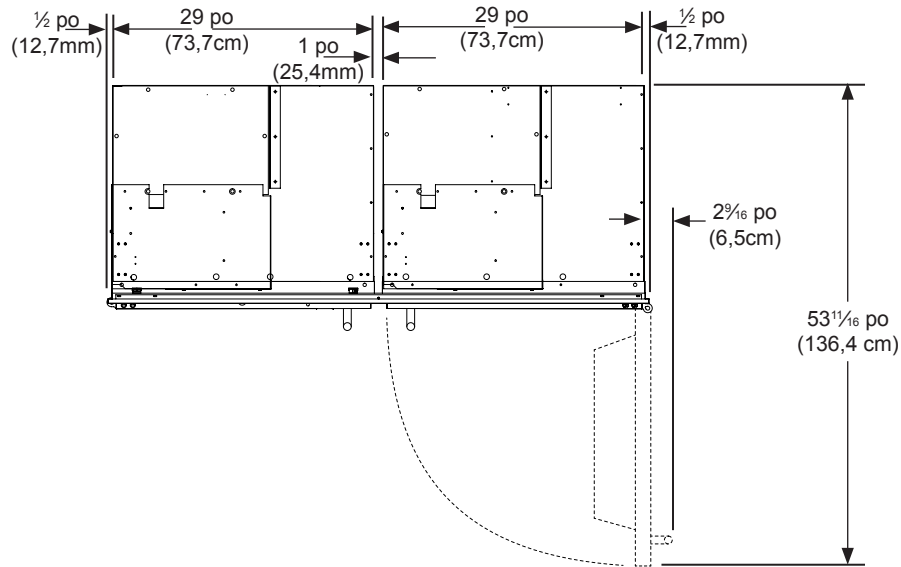
Un circuit secteur dédié avec terre en 115 V supportant 15 A est nécessaire. Appliquez toutes les normes de construction locales à l'installation de l'électricité et de l'appareil.



# DIMENSIONS DE PORTE PLEIN DE M60CFR-WS

## Besoins électriques :

Un circuit secteur dédié avec terre en 115 V supportant 15 A est nécessaire. Appliquez toutes les normes de construction locales à l'installation de l'électricité et de l'appareil.

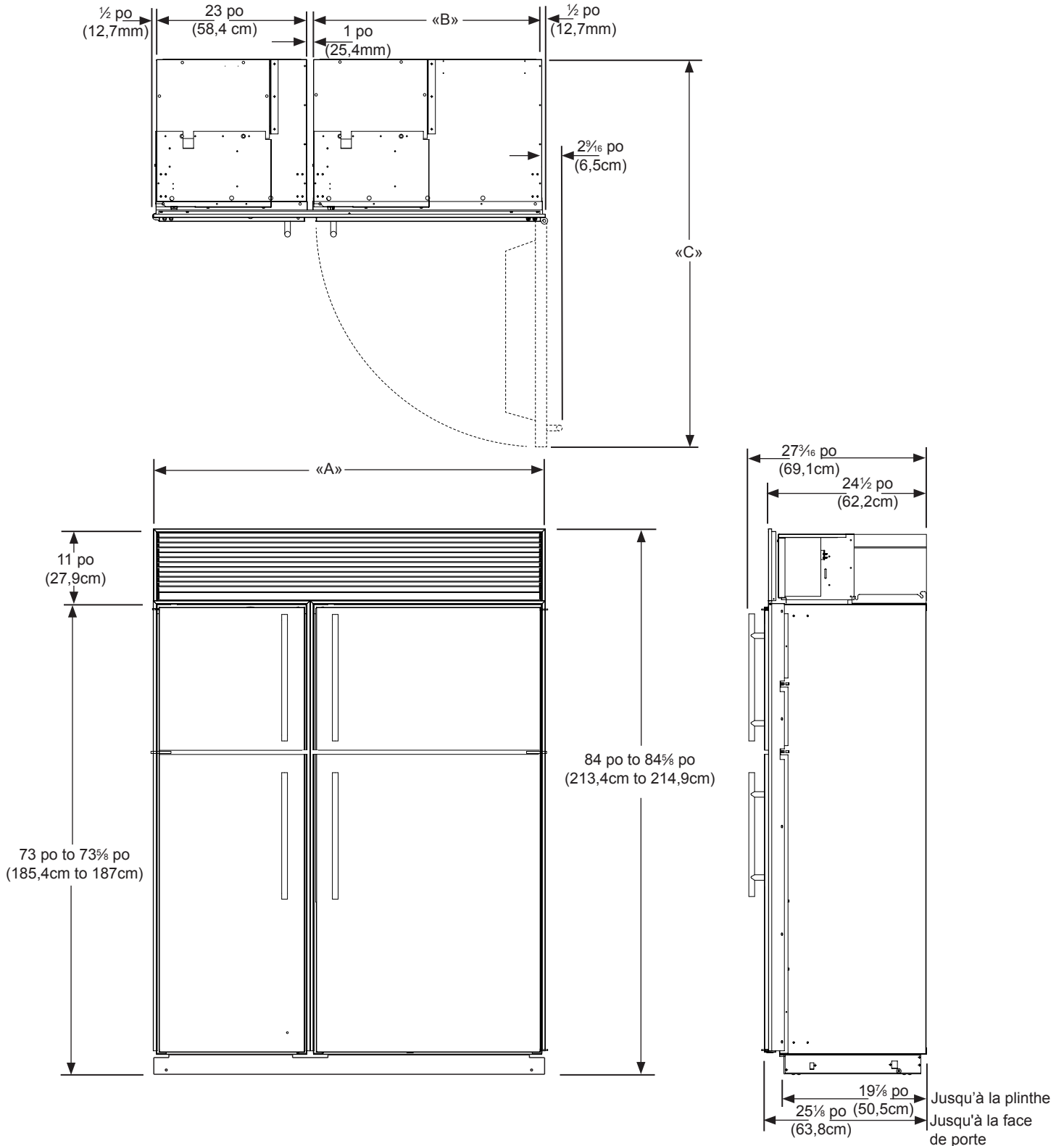


## DIMENSIONS DE PORTE PLEIN DE M(XX)C2TF-WS

MODÈLE	«A»	«B»	«C»
M48C2TF-WS	48 po (121,9 cm)	23 po (58,4cm)	47 <sup>11</sup> / <sub>16</sub> po (121,1 cm)
M60C2TF-WS	60 po (152,4 cm)	35 po (88,9cm)	59 <sup>3</sup> / <sub>4</sub> po (151,8 cm)

### Besoins électriques :

Un circuit secteur dédié avec terre en 115 V supportant 15 A est nécessaire. Appliquez toutes les normes de construction locales à l'installation de l'électricité et de l'appareil.

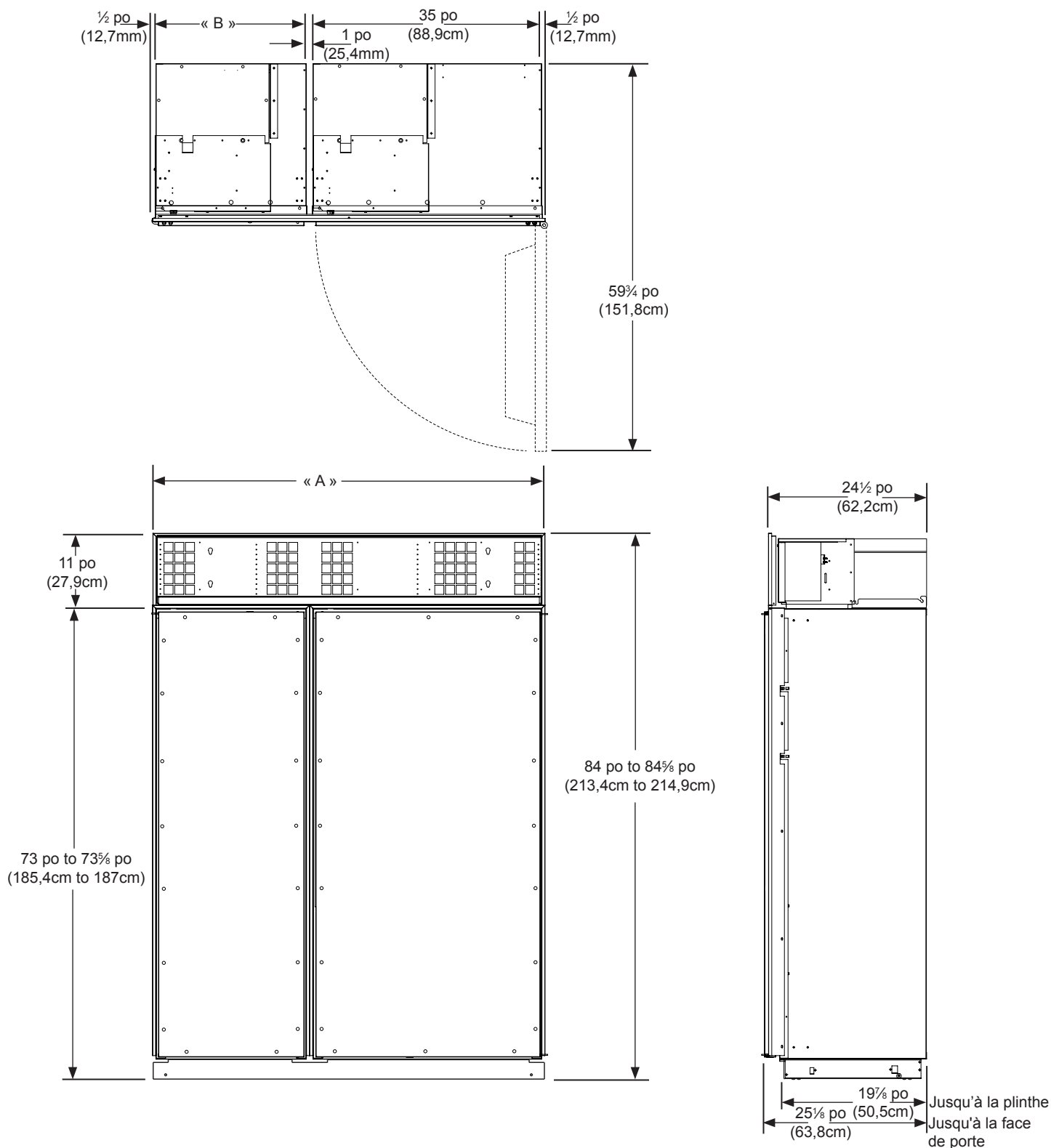


# DIMENSIONS DE PORTE À REVÊTEMENT PLEIN DE M(XX)CSS

MODÈLE	« A »	« B »
M60CSS-WP	60 po (152,4cm)	23 po (58,4cm)
M60CSS-SP	60 po (152,4cm)	23 po (58,4cm)
M72CSS-WP	72 po (182,9cm)	35 po (88,9cm)
M72CSS-SP	72 po (182,9cm)	35 po (88,9cm)

## Besoins électriques :

Un circuit secteur dédié avec terre en 115 V supportant 15 A est nécessaire. Appliquez toutes les normes de construction locales à l'installation de l'électricité et de l'appareil.

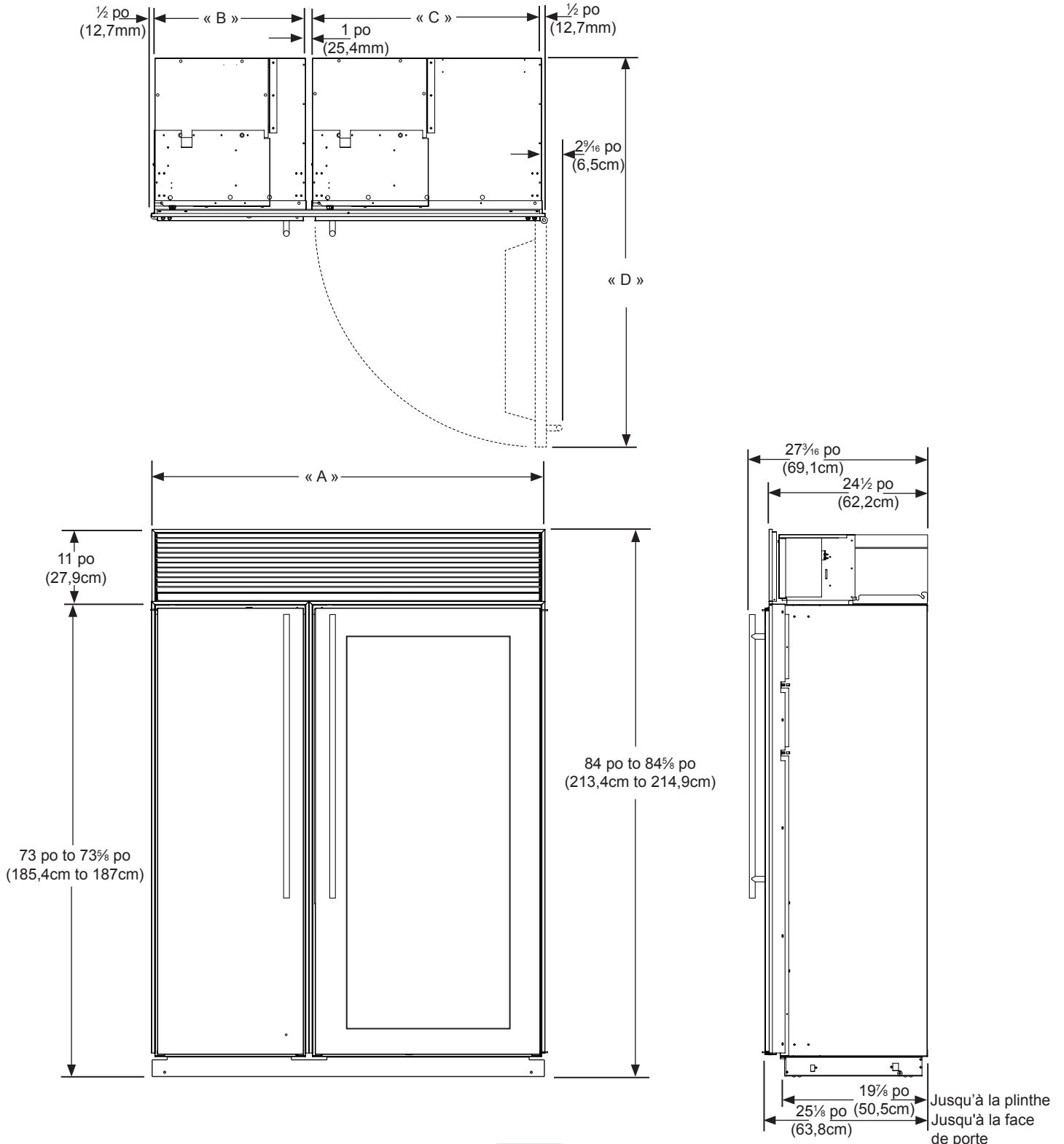


# DIMENSIONS DE PORTE CONGÉLATEUR PLEIN ET DE PORTE RÉFRIGÉRATEUR VITRÉE DE M(XX)CSS

MODÈLE	« A »	« B »	« C »	« D »
M60CSS-SGX	60 po (152,4cm)	23 po (58,4cm)	35 po (88,9cm)	59¼ po (151,8cm)
M72CSS-SGX	72 po (182,9cm)	35 po (88,9cm)	35 po (88,9cm)	59¼ po (151,8cm)

## Besoins électriques :

Un circuit secteur dédié avec terre en 115 V supportant 15 A est nécessaire. Appliquez toutes les normes de construction locales à l'installation de l'électricité et de l'appareil.

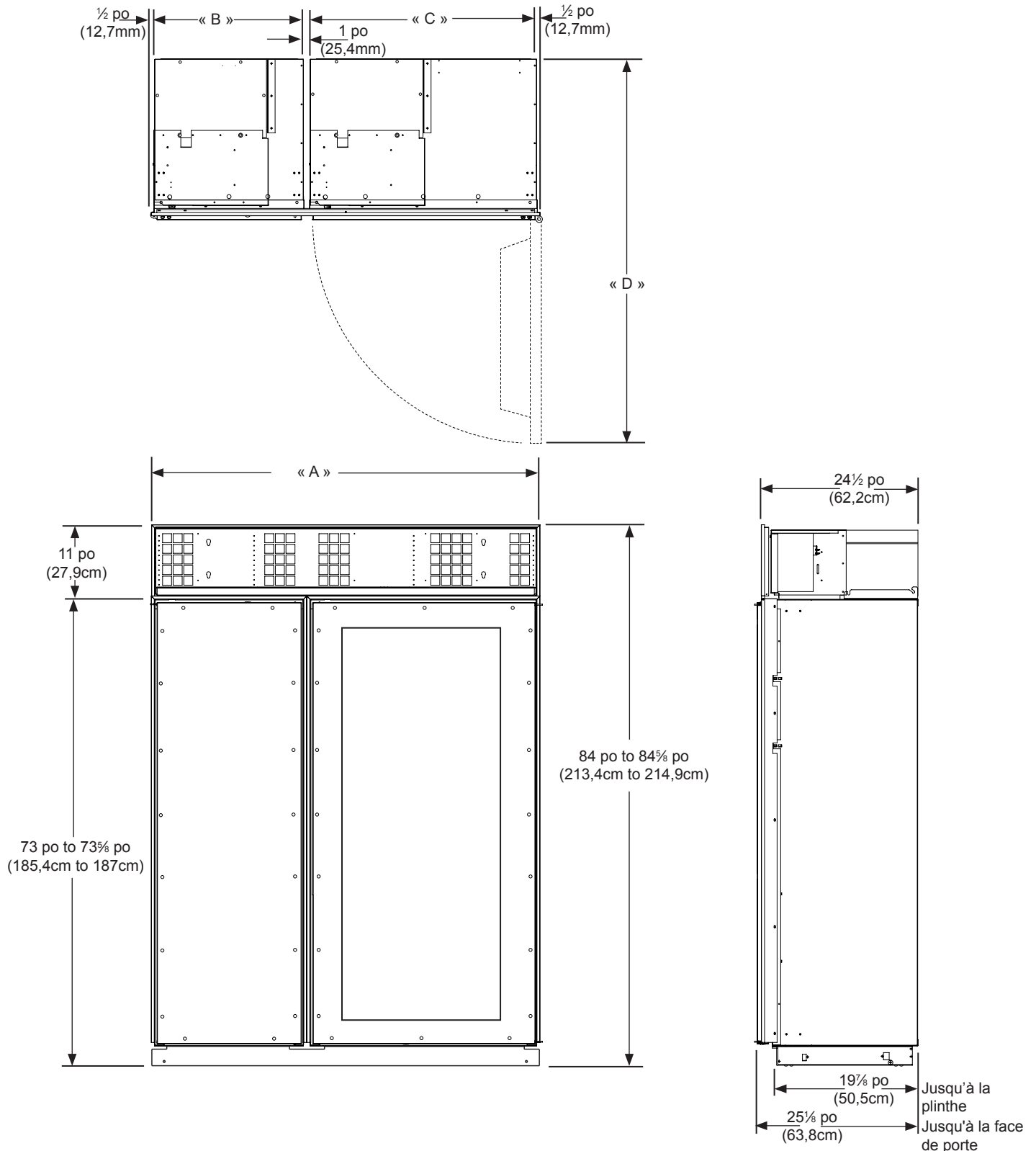


# DIMENSIONS DE PORTE CONGÉLATEUR À REVÊTEMENT PLEIN ET DE PORTE RÉFRIGÉRATEUR À REVÊTEMENT VITRÉE DE M(XX)CSS

MODÈLE	« A »	« B »	« C »	« D »
M60CSS-SGP	60 po (152,4cm)	23 po (58,4cm)	35 po (88,9cm)	59¼ po (151,8cm)
M72CSS-SGP	72 po (182,9cm)	35 po (88,9cm)	35 po (88,9cm)	59¼ po (151,8cm)

## Besoins électriques :

Un circuit secteur dédié avec terre en 115 V supportant 15 A est nécessaire. Appliquez toutes les normes de construction locales à l'installation de l'électricité et de l'appareil.

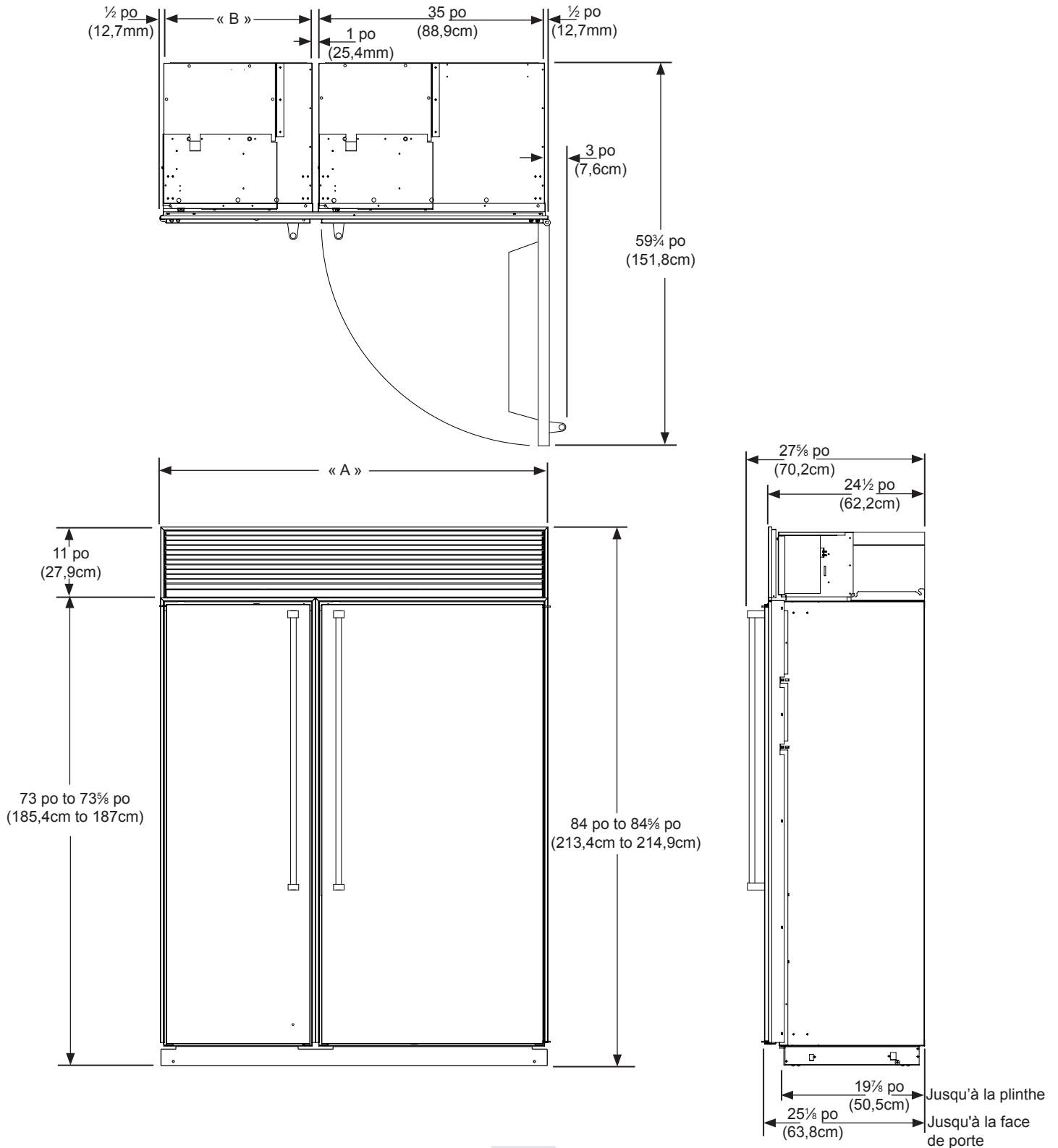


# DIMENSIONS DE PORTE PLEIN DE MPRO(XX)CSS

MODÈLE	« A »	« B »
MPRO60CSS-SS	60 po (152,4cm)	23 po (58,4cm)
MPRO72CSS-SS	72 po (182,9cm)	35 po (88,9cm)

## Besoins électriques :

Un circuit secteur dédié avec terre en 115 V supportant 15 A est nécessaire. Appliquez toutes les normes de construction locales à l'installation de l'électricité et de l'appareil.

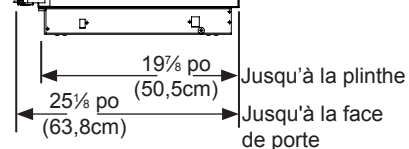
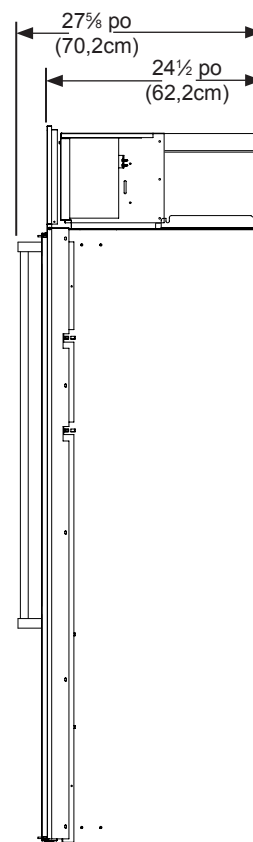
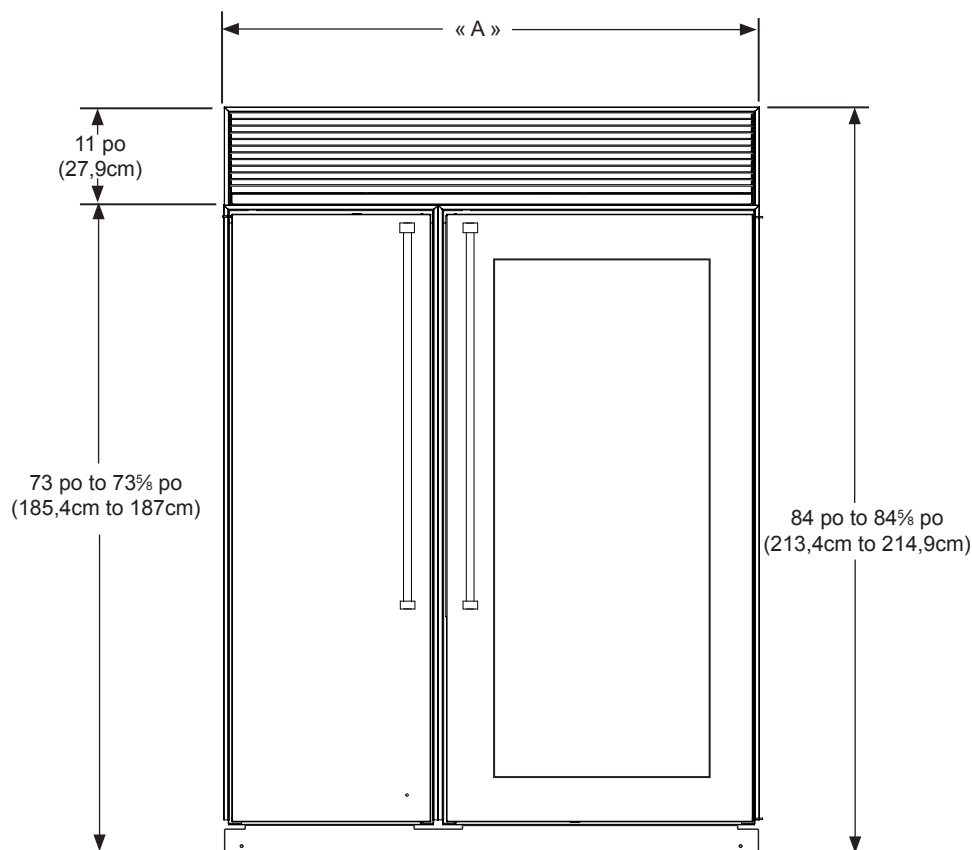
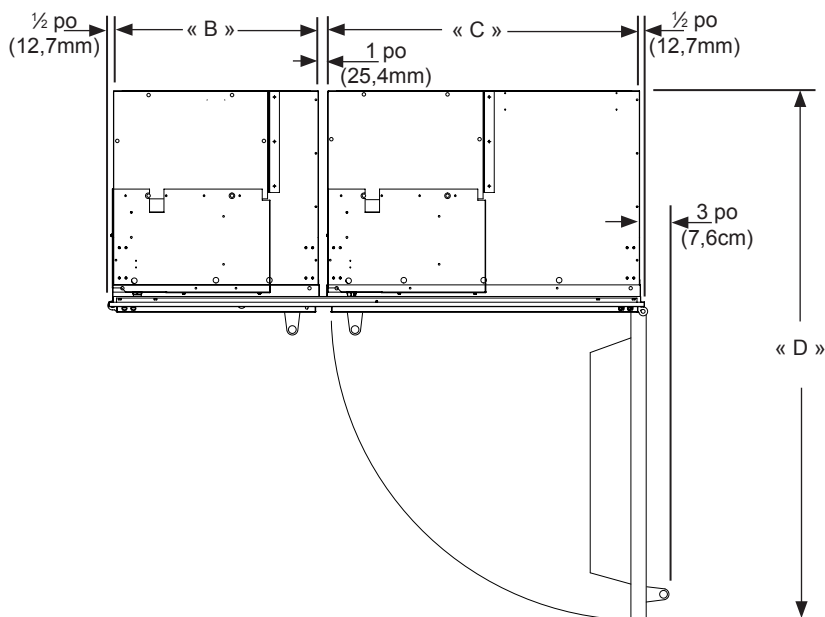


# DIMENSIONS DE PORTE CONGÉLATEUR PLEIN ET DE PORTE RÉFRIGÉRATEUR VITRÉE DE MPRO(XX)CSS

Modèle	« A »	« B »	« C »	« D »
MPRO42CSS-SGX	42 po (106,7cm)	17 po (43,2cm)	23 po (58,4cm)	47 <sup>11</sup> / <sub>16</sub> po (121,1cm)
MPRO48CSS-SGX	48 po (121,9cm)	17 po (43,2cm)	29 po (73,7cm)	53 <sup>11</sup> / <sub>16</sub> po (136,4cm)
MPRO60CSS-SGX	60 po (152,4cm)	23 po (58,4cm)	35 po (88,9cm)	59 <sup>3</sup> / <sub>4</sub> po (151,8cm)
MPRO72CSS-SGX	72 po (182,9cm)	35 po (88,9cm)	35 po (88,9cm)	59 <sup>3</sup> / <sub>4</sub> po (151,8cm)

## Besoins électriques :

Un circuit secteur dédié avec terre en 115 V supportant 15 A est nécessaire. Appliquez toutes les normes de construction locales à l'installation de l'électricité et de l'appareil.





# CONSIDÉRATIONS POUR AVANT L'INSTALLATION

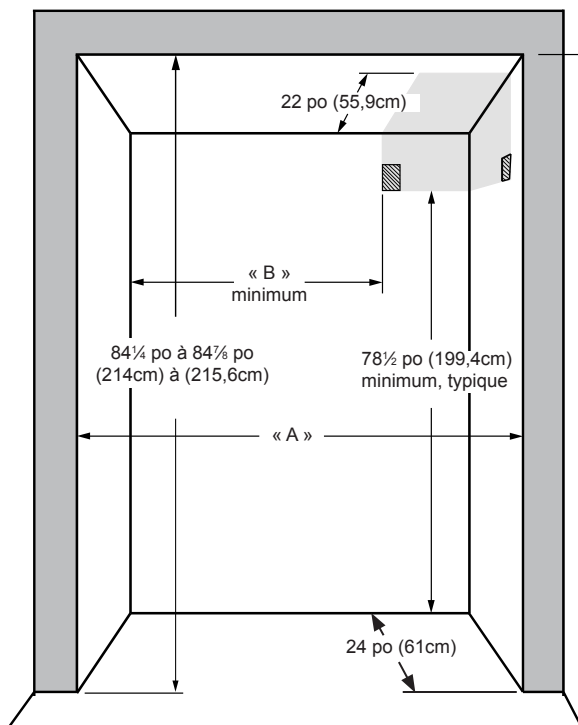


Figure 4

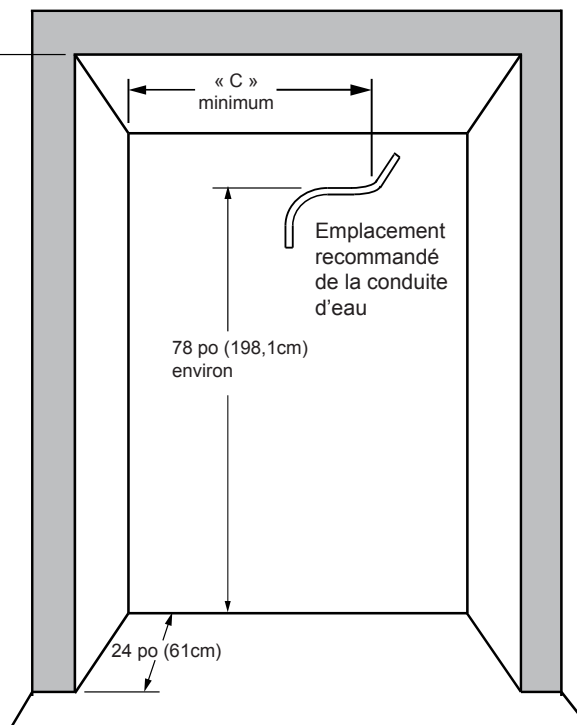


Figure 5

Modèle	«A»	«B»	«C»
M48C2TF	47 1/2 po (120,7cm)	44 po (111,8cm)	22 po (55,9cm)
M60C2TF	59 1/2 po (151,1cm)	44 po (111,8cm)	22 po (55,9cm)
M60CFR	59 1/2 po (151,1cm)	50 po (127 cm)	22 po (55,9cm)
M60CSS	59 1/2 po (151,1cm)	44 po (111,8cm)	22 po (55,9cm)
M72CSS	71 1/2 po (181,6cm)	56 po (142,2cm)	22 po (55,9cm)
MPRO42CSS	41 1/2 po (105,4cm)	38 po (96,5cm)	18 po (45,7cm)
MPRO48CSS	47 1/2 po (120,7cm)	38 po (96,5cm)	18 po (45,7cm)
MPRO60CSS	59 1/2 po (151,1cm)	44 po (111,8cm)	22 po (55,9cm)
MPRO72CSS	71 1/2 po (181,6cm)	56 po (142,2cm)	22 po (55,9cm)

Tableau A

## REMARQUE

La surface d'appui sous le produit DOIT être au même niveau ou légèrement au-dessus que la finition de sol environnante, pour faciliter son installation et son enlèvement.

## Choix de l'emplacement

Placez l'ensemble réfrigérateur/congélateur dans la partie la plus fraîche de la pièce, à l'écart du rayonnement solaire direct, et de conduites ou de registres de chauffage.

Ne placez pas l'ensemble réfrigérateur/congélateur près d'appareils dégageant de la chaleur, comme cuisinière, four ou lave-vaisselle. Si cela n'est pas possible, une section de cloison ou une couche d'isolation supplémentaire entre les deux appareils procurera à un meilleur fonctionnement du réfrigérateur/congélateur.

N'installez PAS le réfrigérateur/congélateur dans un local où la température peut tomber en dessous de 60°F (15 °C) ou monter au-dessus de 110°F (43 °C). Le compresseur ne serait PAS à même de maintenir les bonnes températures intérieures.



## ATTENTION

Au moment de l'installation de ces modèles le congélateur doit être placé du côté gauche pour assurer un flux d'air approprié au travers de la grille et du module d'alimentation.

Pour les modèles M (XX) C2TF l'unité avec la machine à glaçons doit être installé sur le côté gauche.

## CONSIDÉRATIONS POUR AVANT L'INSTALLATION

### Besoins électriques :

Une prise secteur monophasé doit être disponible (115 V / 60 Hz / 15 A). Il est recommandé que le circuit d'alimentation secteur soit dédié à ce seul appareillage, et protégé (fusible temporisé ou disjoncteur). L'arrivée électrique doit se situer au moins à 78½ po (199,4 cm) au-dessus du sol (Voyez la Figure 4).

Ce produit est équipé en usine d'un cordon secteur comportant une fiche avec terre à trois broches. Il faut la brancher dans une prise secteur correspondante avec terre, en conformité avec la norme électrique américaine (NEC) et les normes et réglementations locales applicables. Si le circuit ne comporte pas une prise avec terre, le client doit en fournir une adéquate, c'est sa responsabilité.

Cet appareil doit être installé en conformité avec vos normes de construction et réglementations locales.

### Besoins en plomberie :

Une conduite d'alimentation en eau pour la fabrication de glaçons, en tube de cuivre de diamètre extérieur ¼ po (6,4 mm) arrivant à l'arrière de l'ouverture du meuble à environ 78 po (198,1 cm) au-dessus du sol, selon sa hauteur de positionnement. Ce tube doit ensuite passer autour du côté droit du module d'alimentation et autour de l'avant de l'électrovanne de commande d'eau. Veuillez vous référer à la Figure 5.

Quand vous installez cette conduite d'eau pour faire les glaçons, assurez-vous d'y placer une VANNE DE COUPURE à un endroit commode avant le congélateur. L'eau doit arriver sous une pression de 20 à 120 psi (138 to 827 kPa).

Il est également recommandé d'intercaler un FILTRE À EAU en ligne avant le congélateur, pour éviter un blocage de l'écoulement par des sédiments au travers de l'électrovanne.

Un emplacement idéal pour ces accessoires en ligne serait le dessus du meuble, derrière la grille, sur la droite du module d'alimentation.



### AVERTISSEMENT

#### Risque de commotion électrique

- N'utilisez pas de rallonge secteur avec cet appareil. Elles peuvent être dangereuses et causer un mauvais fonctionnement.
- Cet appareil ne doit sous aucun prétexte être installé sur une alimentation électrique sans liaison de terre.
- N'enlevez pas la borne de terre de la fiche du cordon secteur.
- N'utilisez pas d'adaptateur entre fiche et prise.
- N'envoyez pas d'eau par éclaboussure ou par jet d'un tuyau sur les appareils. Cela pourrait causer une commotion électrique, entraînant potentiellement des blessures graves voire mortelles.

### REMARQUE

Des vannes de coupure d'eau à perçage automatique sur la conduite, et un tube en plastique, ne sont PAS approuvées pour l'alimentation en eau de fabrication de glaçons.

# INSTALLATION DE L'ARMOIRE

Quand vous préparez votre ouverture brute, un panneau de remplissage de 3 po amovible est recommandé au-dessus de la grille. Pour enlever le module d'alimentation de l'armoire, son avant doit être soulevé comme c'est montré en Figure 6 pour un enlèvement pour intervention de service.

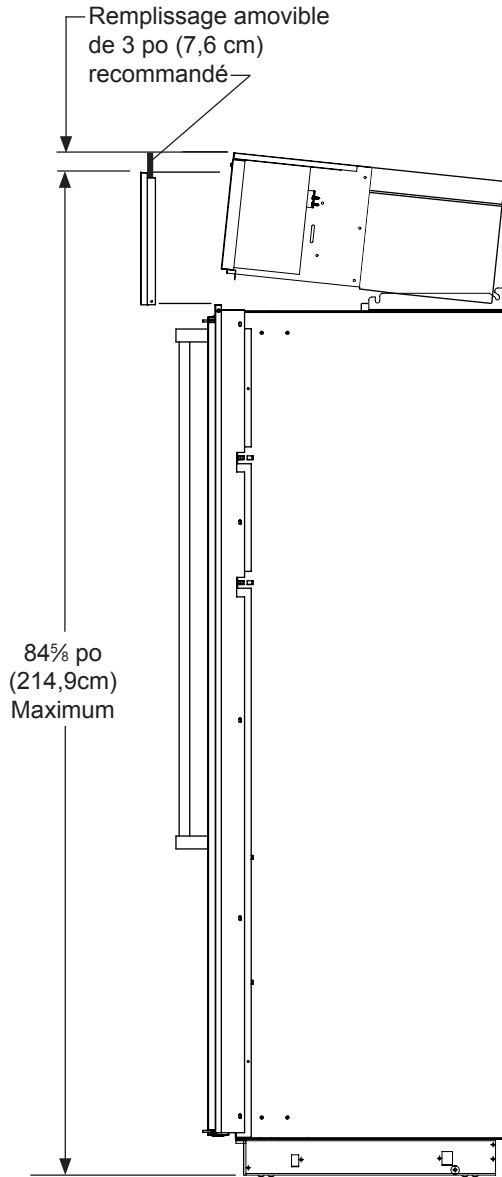


Figure 6

## Installation en angle

Pour que la porte puisse complètement s'ouvrir à 90°, un remplissage de 3 po (7,6 cm) doit être intercalé du côté cornière de la porte. Cela doit permettre un espacement pour la poignée de porte quand elle s'ouvre vers le mur. Voyez la Figure 7.

L'encastrement doit permettre de sortir l'ensemble de réfrigérateur/congélateur pour une opération de service.

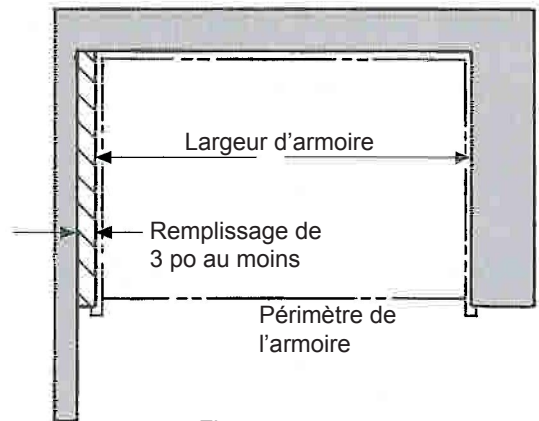


Figure 7

# INSTALLATION DE L'ARMOIRE

## Considérations sur le dispositif anti-basculement

Avant de placer l'armoire dans son ouverture, la profondeur de la niche doit faire au moins 24 pouces (61 cm). Si cette profondeur est plus importante, il faut fixer une pièce de bois transversale sur le mur dans les poteaux muraux à la hauteur des cornières anti-basculement. (Voyez les Figures 9 et 11). Glissez l'armoire en position et mettez-la d'aplomb avec le rouleau arrière réglable et les pieds avant de mise à niveau. (Voyez la section sur les pieds de mise à niveau en page 16).

## Congélateurs de largeur 18 ou 24 po :

La cornière anti-basculement est fixée sur l'armoire et fait toute sa largeur. Localisez un poteau mural derrière l'armoire et fixez-y la cornière anti-basculement avec au moins deux (2) vis #8 x 1½ po fournies. Voyez la Figure 8.

## Réfrigérateurs et congélateurs de largeur 30 ou 36 po :

Localisez un poteau mural derrière l'ensemble qui convient pour fixer au mur la cornière anti-basculement de 5 po (12,7cm). La position de la cornière doit être sur la droite du module d'alimentation et non derrière lui. Ne perturbez pas la position du joint de module d'alimentation sur le côté gauche de l'ensemble. Placez la cornière anti-basculement sur le haut de l'armoire, de niveau avec son dos. Marquez et percez au moins trois trous de ¼ po (3,2 mm) dans le haut de l'armoire et fixez la cornière dessus avec fournies. Fixez ensuite cette cornière au poteau mural avec au moins deux vis #8 de 1½ po fournies. Voyez la Figure 10 au moins trois vis #8 de ½ po.

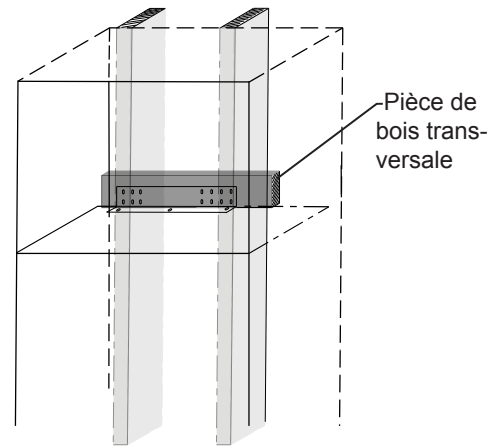


Figure 9  
Congélateurs de largeur  
18 ou 24 po

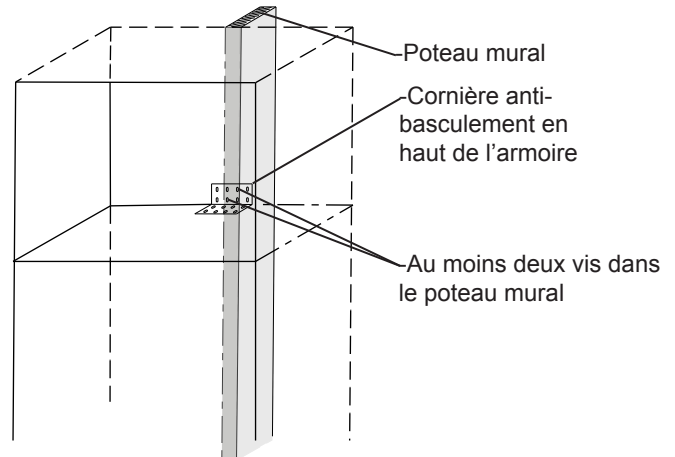


Figure 10  
Congélateur de largeur 36 po  
Réfrigérateur de largeur 30 ou 36 po

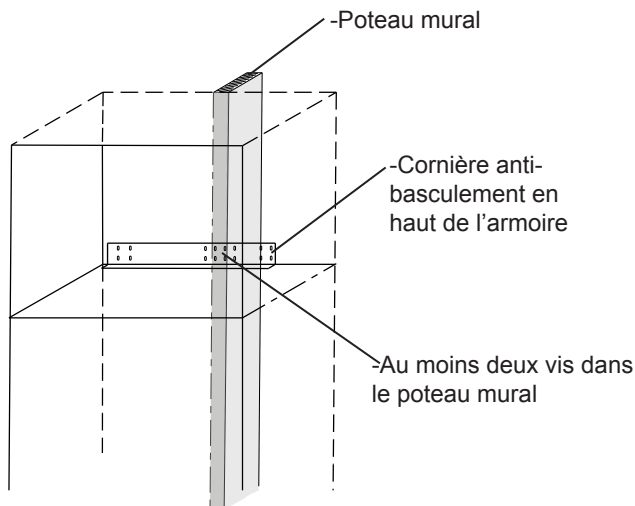


Figure 8  
Congélateurs de largeur  
18 ou 24 po

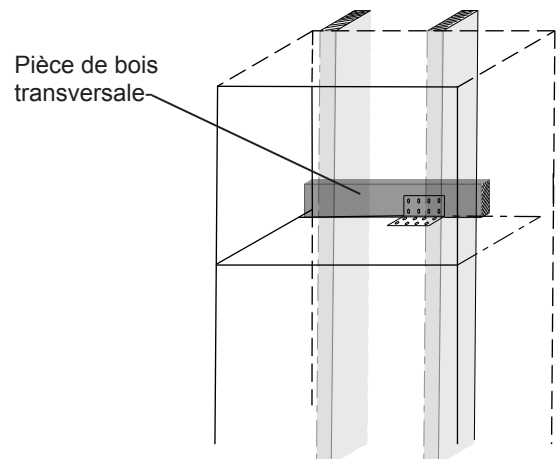


Figure 11  
Congélateur de largeur 36 po  
Réfrigérateur de largeur 30 ou 36 po

## MISE À NIVEAU DE L'ARMOIRE

### Mise à niveau de l'armoire :

L'ensemble DOIT être installé bien d'aplomb sur tous les plans, sur un sol suffisamment solide pour le supporter à pleine charge. Voyez la Figure 12.

Cet ensemble est équipé de rouleaux à l'avant et à l'arrière. Ils seront une aide durant l'installation. Ces rouleaux sont réglables depuis le devant de l'armoire. L'ajustement total est de  $\pm \frac{5}{16}$  po (7,9mm). Tournez le boulon de réglage en sens horaire avec une clé de  $\frac{7}{16}$  po pour monter l'armoire, et en sens antihoraire pour la descendre. Voyez la Figure 13.

### REMARQUE

Les quatre pieds avant de mise à niveau doivent être réglés jusqu'au sol pour rester d'aplomb et pour empêcher l'ensemble de rouler durant son fonctionnement. Voyez la Figure 13.

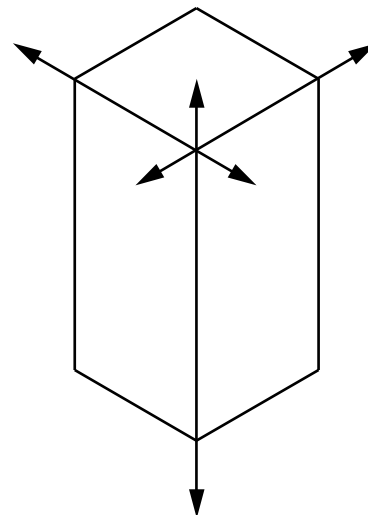


Figure 12

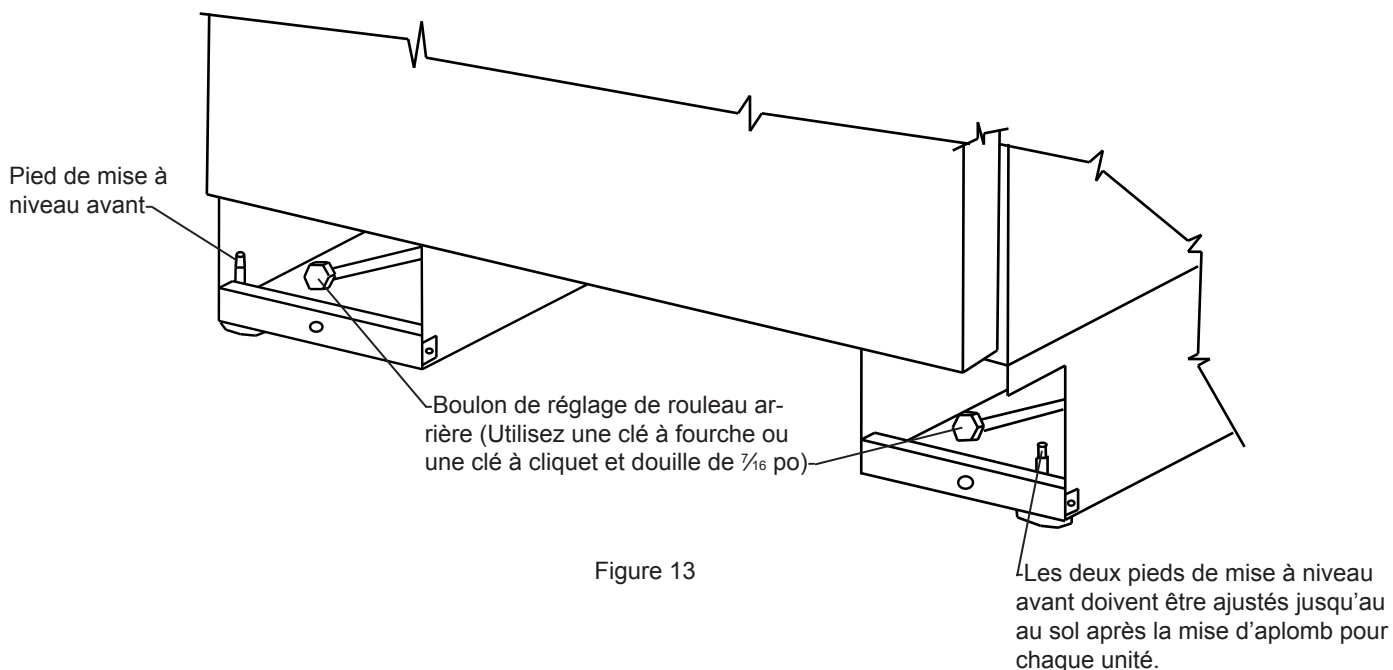


Figure 13

# INSTALLATION DES DEUX APPAREILS CÔTE À CÔTE

## Installation des deux appareils côte à côte

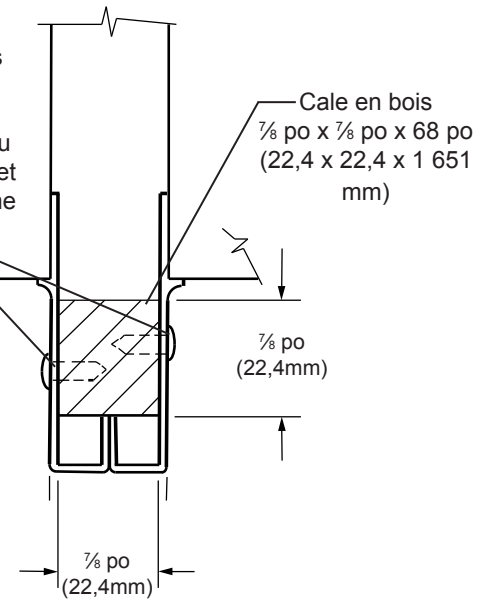
Quand les deux appareils sont installés ensemble, il faut placer un panneau séparateur entre les deux modules d'alimentation (référez-vous à la Figure 14). Ce panneau séparateur est fixé sur le côté droit du congélateur. Enlevez les deux vis tenant ce panneau en place, faites-le pivoter pour qu'il passe au-dessus de l'armoire, et fixez-le avec ces deux vis précédemment enlevées.

## REMARQUE

Si ce panneau séparateur n'était pas installé, l'air chaud d'évacuation du module pour réfrigérateur serait attiré dans l'admission du module pour congélateur, ce qui nuirait à son bon fonctionnement.

Montez le boîtier de raccordement près du module de côté droit, avec la bande autocollante double face fournie pour le haut d'armoire. Enfichez les deux cordons d'alimentation des modules dans ce boîtier de raccordement, et branchez ce dernier sur la prise secteur.

Percez trois (3) trous de chaque côté à distance égale dans la section verticale du cadre en aluminium et placez des vis comme c'est montré.



La section A-A

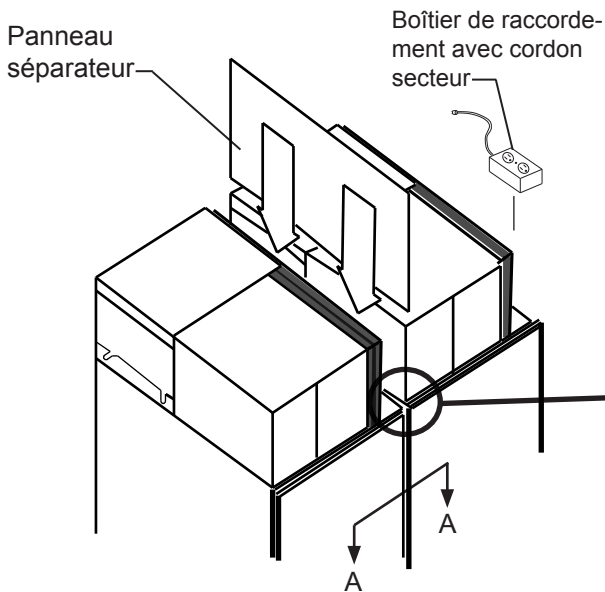
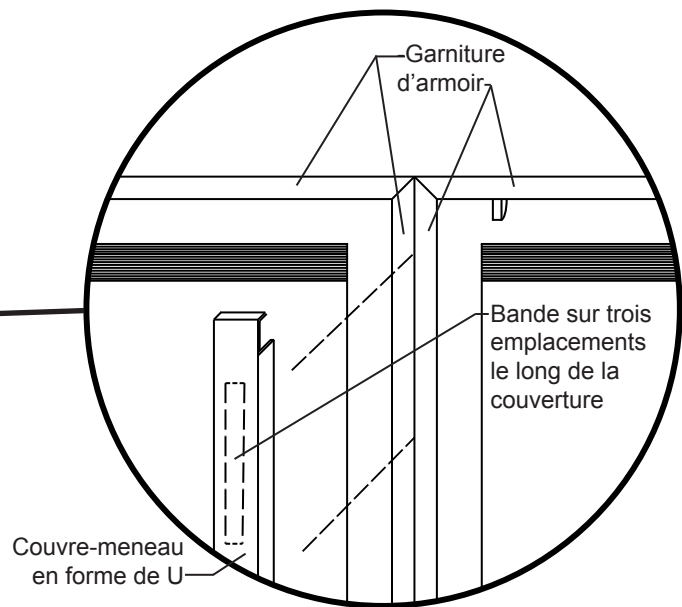


Figure 14



## Fixation de garniture :

Installez une cale en bois (fournie) coupée aux dimensions montrées en coupe A-A sur la garniture latérale de la première armoire à installer dans l'ouverture de niche. Après l'installation de la deuxième armoire, percez et enfoncez des vis dans la cale en bois pour la fixation sur cette deuxième armoire.

## Montage du couvre-meneau en forme de U

Enlevez la protection en papier de la bande sur l'intérieur du couvre-meneau à trois emplacements.

Appuyez ce couvre-meneau sur la garniture d'armoire au milieu comme c'est montré.

# INSTALLATION DU MODULE D'ALIMENTATION

## Placement du module d'alimentation en haut de l'armoire :

Placez le module en haut de l'armoire avec les vis à épaulement arrière sur les supports de positionnement derrière les fentes avant. Glissez le module vers l'arrière de l'armoire jusqu'à ce que les vis à épaulement arrière s'engagent dans les fentes des supports. Posez les vis à épaulement avant dans les fentes avant des supports.

## REMARQUE

Contrôlez pour vous assurer que le tuyau pour fabrication de glaçons et dégagé et n'interfère pas avec le joint du module. NE mettez PAS en marche le produit durant la construction, car de la poussière pourrait obstruer les serpentins de condenseur du module. Si de la poussière s'accumule sur les serpentins, aspirez-la immédiatement, en utilisant l'accessoire brosse souple.

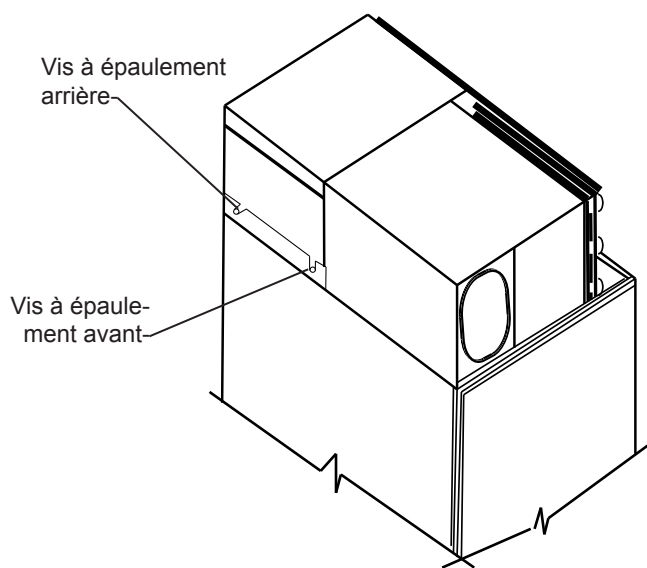


Figure 15

## AVERTISSEMENT

### RISQUE DE BASCULEMENT

Lors de son installation le module d'alimentation n'est pas fixé à l'armoire. Il faut l'enlever quand l'armoire est penchée ou transportée.

## AVERTISSEMENT

### RISQUE DE POIDS EXCESSIF

Utilisez deux personnes ou plus pour bouger et empiler le produit. Sinon vous pourriez souffrir du dos ou d'une autre blessure.

## AVERTISSEMENT

### RISQUE D'EXPLOSION

Ne faites pas fonctionner le réfrigérateur/congélateur en présence de produits chimiques ou de fumées pouvant exploser.

## Raccordements électriques de module d'alimentation :

Réalisez les raccordements électriques depuis le haut de l'armoire la plus basse jusqu'au boîtier de raccordement du côté gauche du module. En cas de machine à glaçons, assurez-vous de boucher sa conduite dans le module, ainsi que l'électrovanne. Voyez le schéma de module en Figure 16.

Passez le cordon d'alimentation devant le module d'alimentation en haut de l'armoire autour du côté droit du module d'alimentation, jusqu'à la prise secteur. Voyez la Figure 16.

## Pour les modèles avec congélateur de largeur 18 po uniquement (M42CSS, M48CSS et MPRO48CSS) :

Branchez les 5 connecteurs électriques pour les éclairages venant de l'armoire dans les 2 prises d'alimentation qui sont fixés au module d'alimentation (voyez la Figure 17).

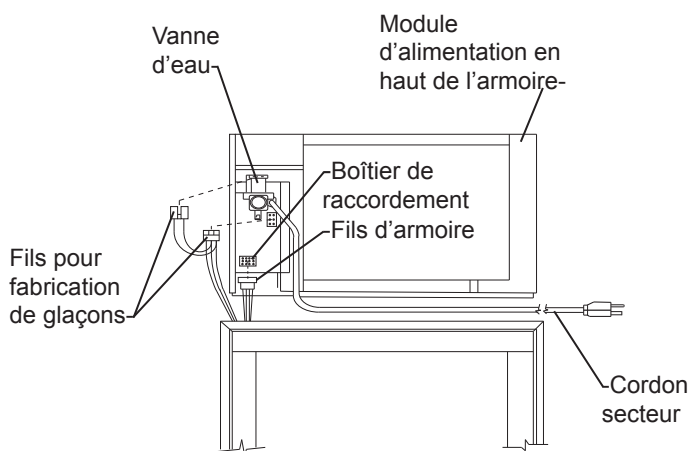


Figure 16

# INSTALLATION DE LA VANNE SUR LE TUBE POUR FABRICATION DE GLAÇONS

## REMARQUE

Un filtre en ligne sur la conduite d'eau pour la fabrication de glaçons est recommandé. Une vanne de coupure peut aussi y être installée. N'utilisez pas de vanne de type auto-perceur.

### Raccordement de l'électrovanne de la fabrication de glaçons

L'électrovanne d'eau et les raccords de conduite sont emballés dans un sachet en plastique mis dans le meuble.

Enlevez les deux vis du support qui est sur le côté gauche du couvercle de module d'alimentation. Utilisez ces deux vis pour installer l'électrovanne sur le support comme c'est montré en Figure 18.

Glissez l'écrou de compression d'électrovanne et le manchon de compression sur le tube en cuivre comme c'est montré sur le schéma. Serrez l'écrou sur l'électrovanne avec une clé anglaise.

Enlevez le bouchon rouge de l'extrémité du tuyau de remplissage pour fabrication de glaçons venant de l'armoire, et attachez ce tuyau sur l'électrovanne comme c'est montré. Serrez bien le collier du tuyau. Ouvrez l'arrivée d'eau et contrôlez l'absence de fuites aux raccords.

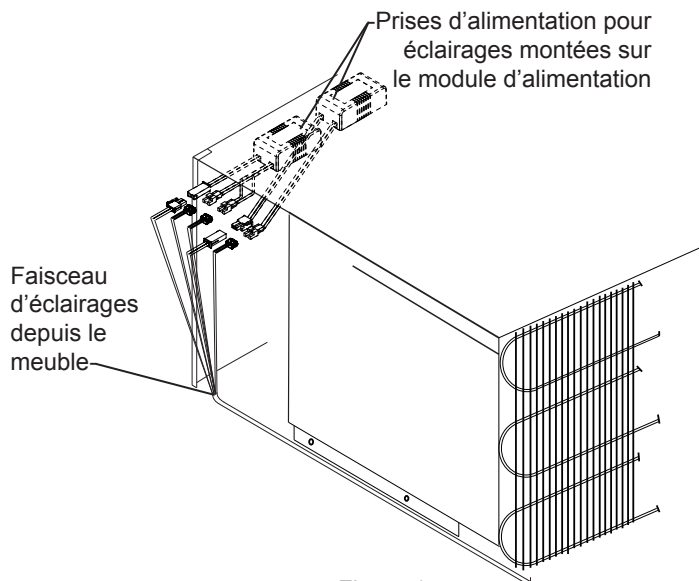


Figure 17

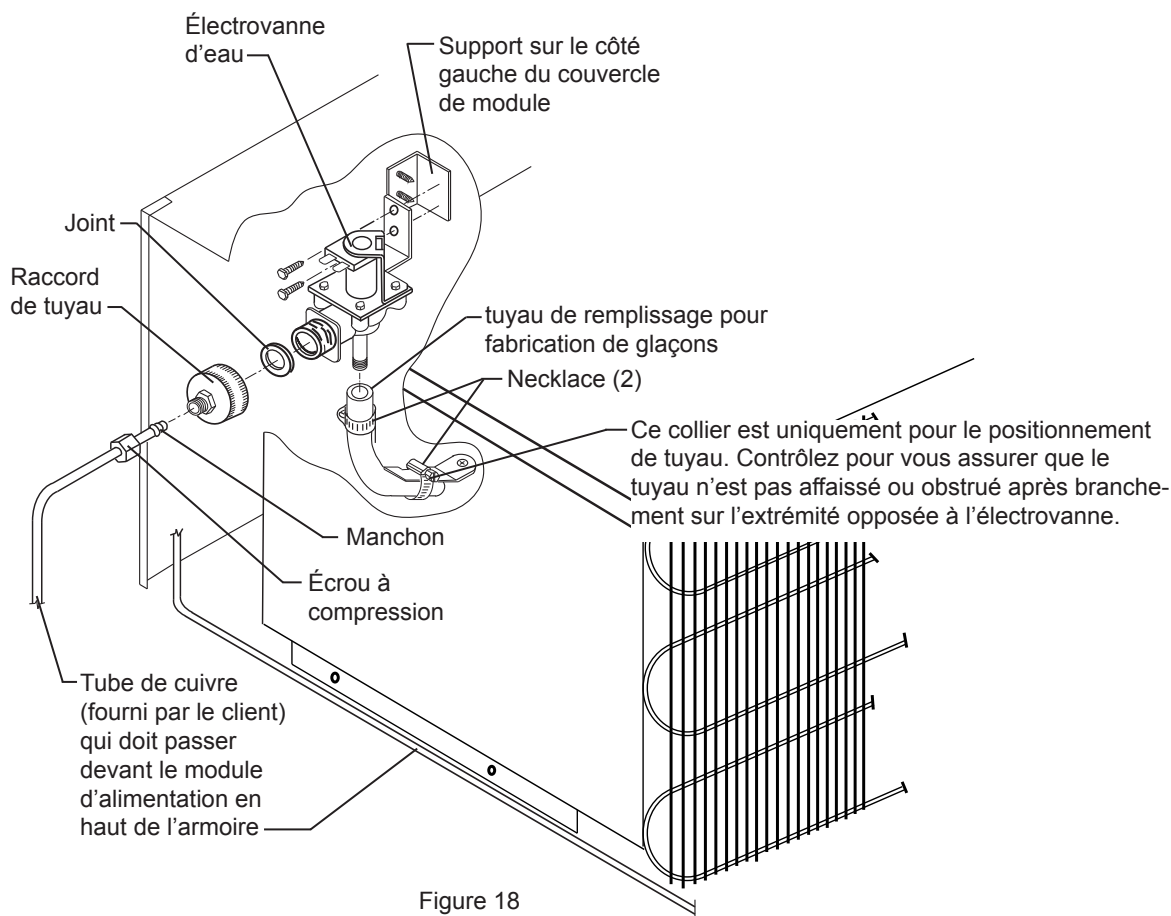


Figure 18



# INSTALLATION DE LA GRILLE

Il y a trois méthodes utilisables pour installer la grille. Adoptez la méthode qui convient pour votre installation.

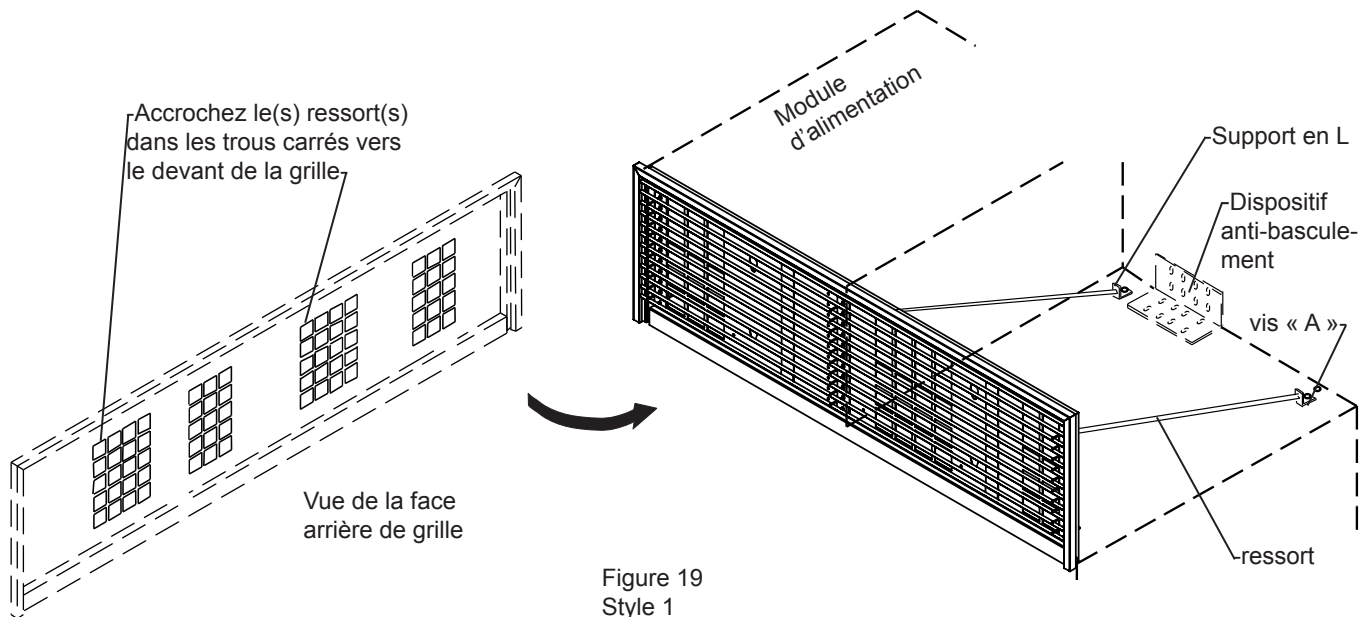
**Style 1 :** Des supports sont installés en haut de l'armoire, vers l'arrière, et des ressorts sont utilisés pour retenir la grille.

**Style 2 :** (Optionnel) Des supports sont installés en haut de l'armoire, vers l'avant, et la grille y est fixée avec des vis.

**Style 3 :** Le haut de la grille est fixé avec une vis à l'armoire attenante. Ce style est utilisé principalement pour les grilles à panneau personnalisé pour aller avec les meubles avoisinants.

## Méthode de montage de style 1 :

1. Enlevez la vis A du support de montage. Montez le support en L avec la vis A. Voyez la Figure 19.
2. Accrochez une extrémité du ressort (81050-000) au travers d'un trou dans ce support. En maintenant le tableau en place, étirez le ressort et accrochez son autre extrémité au tableau au travers d'un de ses trous carrés.



# INSTALLATION DE LA GRILLE

## Méthode de montage de style 2 :

### Instructions pour installer des supports de grille

Pour cet accessoire optionnel, commandez la référence S34060-000.

1. Utilisez deux vis (référence 91180-000) pour fixer chaque support sur le haut d'armoire. Voyez les Figures 20 et 21.
2. Desserrez les vis en haut du support de montage. Faites-les ressortir d'environ  $\frac{1}{8}$  po (3,2mm) (soit 2-3 filets) du support.
3. Installez la grille en alignant les vis en haut du support avec les fentes dans la garniture de haut de grille.
4. La grille est installée quand son bas est logé derrière la garniture d'armoire en travers de l'avant.
5. Tirez la grille vers l'avant d'environ 2,5 cm en haut et resserrez les vis en haut du support.

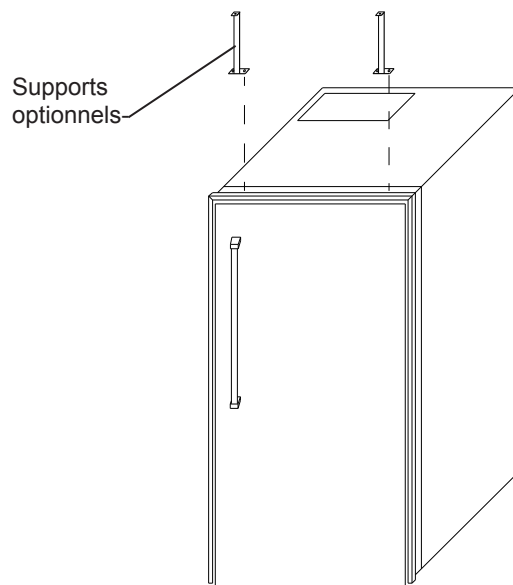


Figure 20 Style 2

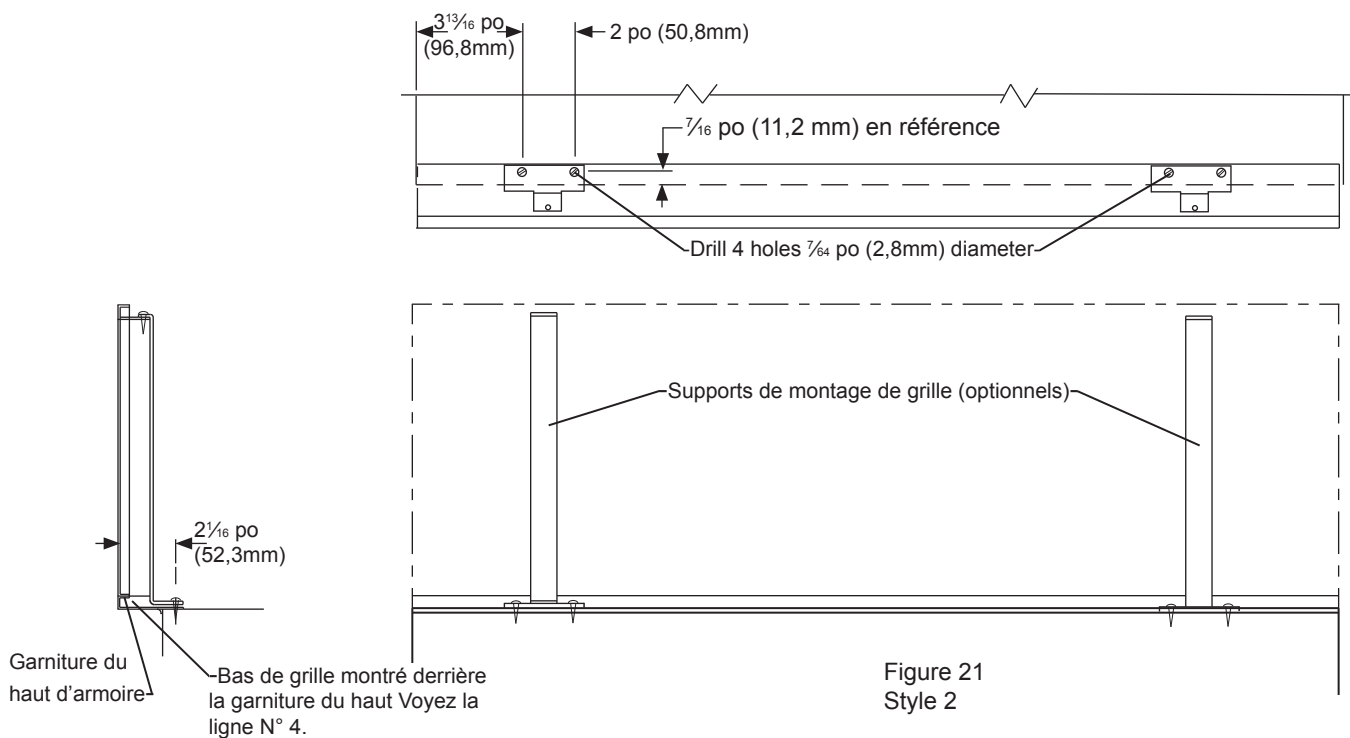


Figure 21  
Style 2

# INSTALLATION DE LA GRILLE

## Méthode de montage de style 3 :

Fixez la grille du haut sur l'encadrement avec la vis fournie. Couvrez la tête de vis avec un capuchon à enfoncer. Voyez la Figure 22.

Coupez le tableau personnalisé et montez le support de tableau en suivant les instructions de la page suivante. Installez le tableau sur le dos de grille en insérant des rivets à épaulement sur l'arrière de support de tableau dans les grandes extrémités des trous en forme de larme. Quand ces quatre rivets sont engagés dans ces trous, glissez le tableau vers le bas jusqu'à ce que les rivets à épaulement descendent dans la partie étroite des trous en forme de larme.

Pour la découpe de panneau de tableau et le montage des supports de tableau, voyez en page 22.

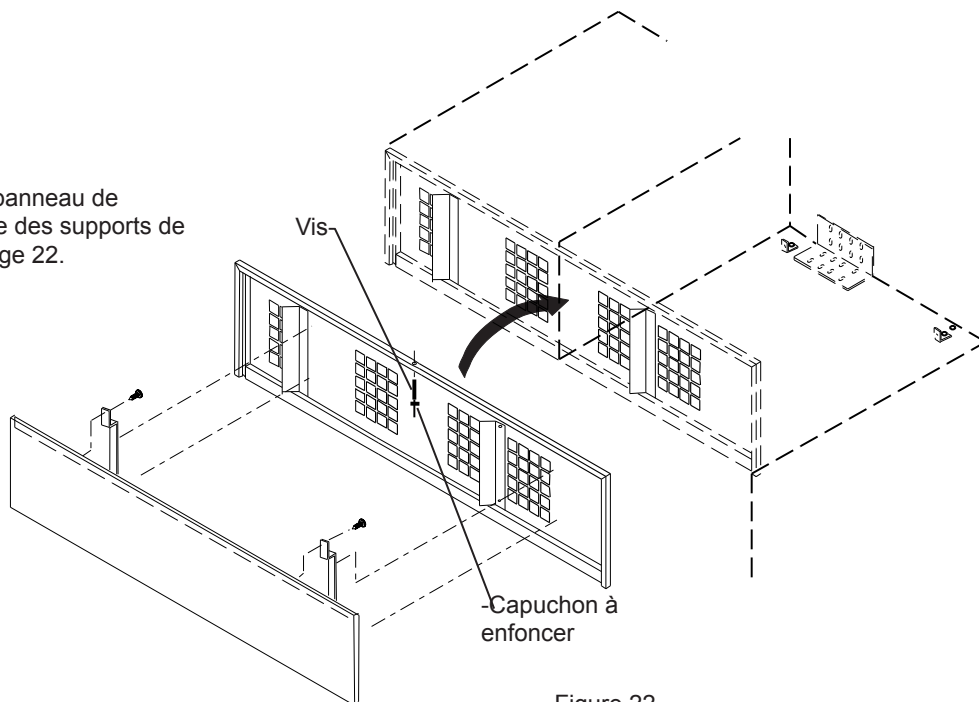


Figure 22

# TABLEAU DE GRILLE ET PANNEAUX DE PORTE PERSONNALISÉS

## Montage du panneau de tableau de grille :

Selon votre modèle, découpez votre panneau de tableau à la taille montrée en Figure 23, ou en Figure 24. Percez les deux avant-trous de support de tableau dans l'arrière du panneau de tableau, comme c'est noté en Figure 23 et Figure 24. Consultez le Tableau B pour les tailles. Fixez les deux ou trois supports de tableau à l'arrière du panneau de tableau avec les vis fournies. Voyez la Figure 25.

Alignez les supports de tableau de façon à être parallèles aux bords courts de panneau de tableau, et percez les 2 ou 3 trous de support restants en utilisant les trous des supports de tableau comme guides. Fixez le bas de ces supports avec les 2 ou trois vis restantes.

Le panneau de tableau peut maintenant être monté sur le dos de grille.

## Schéma de tableau pour modèles de largeur 72 po :

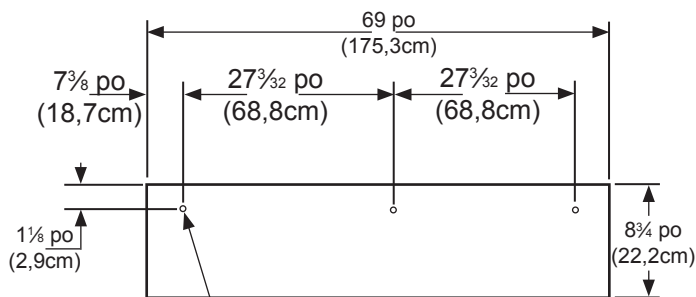


Figure 24

Percez 3 trous, voyez le Tableau B.

Type de matériau	Avant trou Ø
Bois dur	1/8 po (3,2 mm)
Bois tendre	7/64 po (2,8 mm)

Tableau B



Quand vous coupez le panneau de tableau pour la grille, ne le faites pas plus grand que la taille notée aux Figure 23 ou Figure 24. Sinon le flux d'air vers le condenseur dans le module d'alimentation serait compromis. Les panneaux de tableau de grille ne doivent pas dépasser 20 lbs. (9,1 kg), s'ils pesaient plus cela pourrait endommager le produit. N'utilisez PAS de verre, miroir, granite ou d'autres matériaux lourds similaires pour les panneaux.

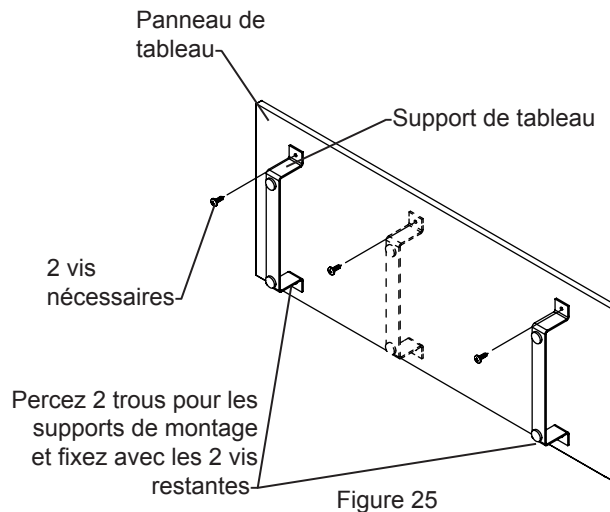


Figure 25

## Schéma de tableau pour modèles de largeur 60 po :

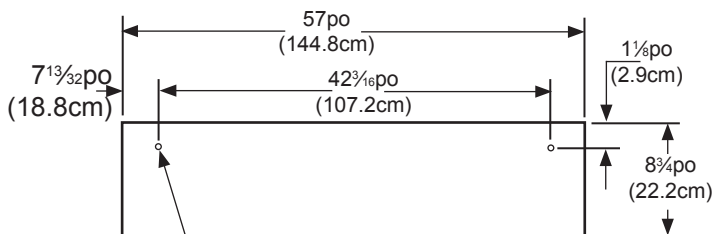


Figure 23

Percez 2 trous, voyez le Tableau B.

# TABLEAU DE GRILLE ET PANNEAUX DE PORTE PERSONNALISÉS

## Instructions d'installation pour panneau de porte personnalisé

### Déterminez les besoins en vis à bois

1. Des vis à bois type #10 à tête cylindrique bombée doivent être utilisées pour fixer le panneau de revêtement. La quantité de vis nécessaire est livrée avec l'appareil.
2. N'utilisez que des vis à tête cylindrique bombée.
3. Si votre panneau de revêtement est plus mince que  $\frac{5}{8}$  po (15,9 mm) vous devrez acheter des vis plus courtes. Les vis les plus longues vont passer au travers de l'avant du panneau.



## AVERTISSEMENT

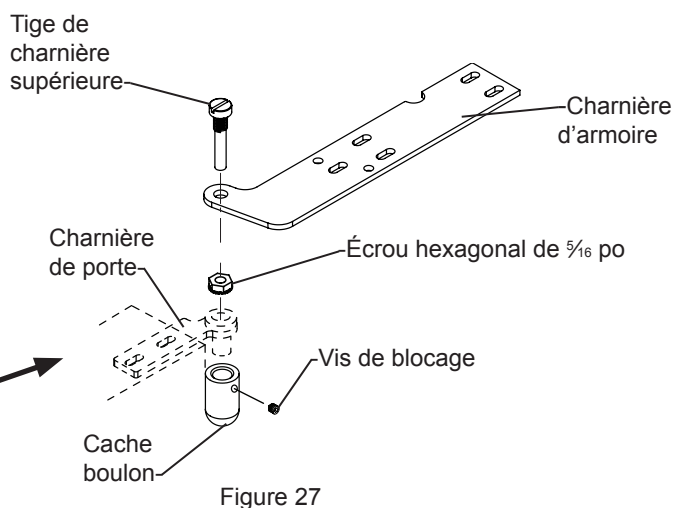
### RISQUE DE POIDS EXCESSIF

Utilisez deux personnes ou plus pour bouger et empiler le produit. Sinon vous pourriez souffrir du dos ou d'une autre blessure.

## Étape 1 : Enlèvement de la porte

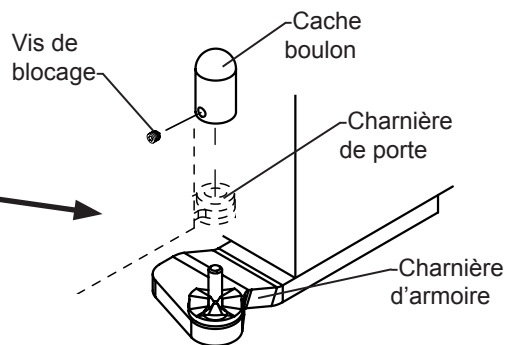
Supportez la porte à partir du sol.

1. Desserrez la vis de blocage dans le cache boulon avec une clé hexagonale de  $\frac{3}{32}$  po, et enlevez-le de la broche de charnière en le glissant dehors. Effectuez cela à la fois pour la charnière du haut et celle du bas. Mettez les pièces de côté pour un remontage ultérieur.
2. Desserrez l'écrou hexagonal de  $\frac{5}{16}$  po sous la charnière avec une clé à fourche de  $\frac{1}{2}$  po, dévissez-le complètement de la tige de charnière.
3. Assurez-vous que la porte est soutenue et enlevez la tige de charnière de la charnière du meuble avec un tournevis à lame plate.
4. Soulevez avec précautions la porte hors de la charnière du bas.
5. Assemblez les pièces dans l'ordre inverse au remontage.



Supportez la porte avant d'enlever la charnière

Figure 26



# TABLEAU DE GRILLE ET PANNEAUX DE PORTE PERSONNALISÉS

## ATTENTION

Les panneaux de portes ne doivent pas dépasser 50 lbs. (22,7 kg). N'utilisez PAS de verre, miroir, granite ou d'autres matériaux lourds similaires pour les panneaux. Des panneaux pesant plus de 50 lbs. peuvent causer des dommages au produit. Nous recommandons que la charge totale de porte (panneau et aliments) ne dépasse PAS 90 lbs. (40,8 kg).

MODÈLE	« D » porte du congélateur solide	« D » porte du réfrigérateur solide
M60CSS-SGP	22 <sup>5</sup> / <sub>16</sub> po (56,7cm)	See Figure 27
M72CSS-SGP	34 <sup>5</sup> / <sub>16</sub> po (87,2cm)	See Figure 27
M60CSS-WP	22 <sup>5</sup> / <sub>16</sub> po (56,7cm)	34 <sup>5</sup> / <sub>16</sub> po (87,2cm)
M72CSS-WP	34 <sup>5</sup> / <sub>16</sub> po (87,2cm)	34 <sup>5</sup> / <sub>16</sub> po (87,2cm)

Tableau C

## Étape 2 : Dimensionnement du panneau de revêtement

Coupez le panneau de revêtement personnalisé aux dimensions montrées en Figure 29 et au Tableau C, et/ou à la Figure 30.

C'est également le bon moment pour localiser et percer les trous de votre poignée. Le plus souvent cette poignée doit être similaire à celles du mobilier environnant. Si votre poignée se fixe depuis la face arrière du panneau personnalisé, localisez les trous de montage pendant que le panneau est maintenu sur la porte et l'armoire. Une fois le panneau retiré de la porte, percez les trous de montage depuis la face avant, au diamètre recommandé par le fabricant de poignée. Fraisez sur la face arrière du panneau de façon à ce que les têtes de vis n'interfèrent pas avec la surface de la porte.

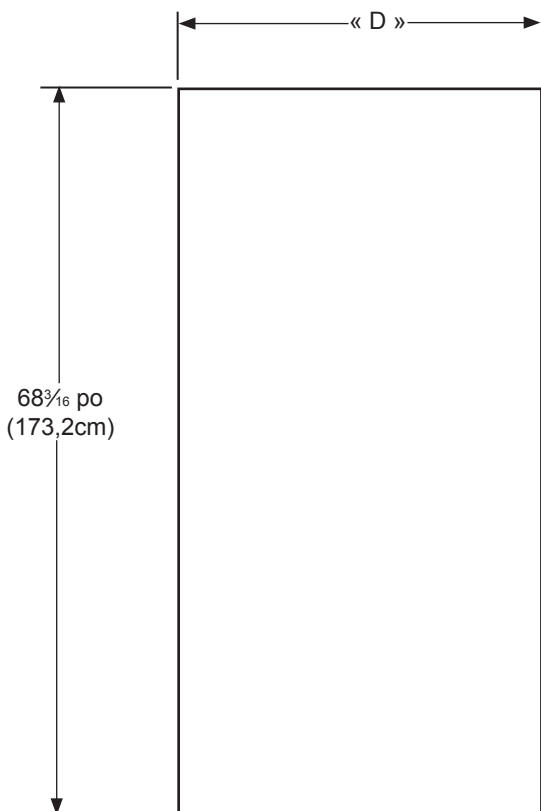


Figure 29

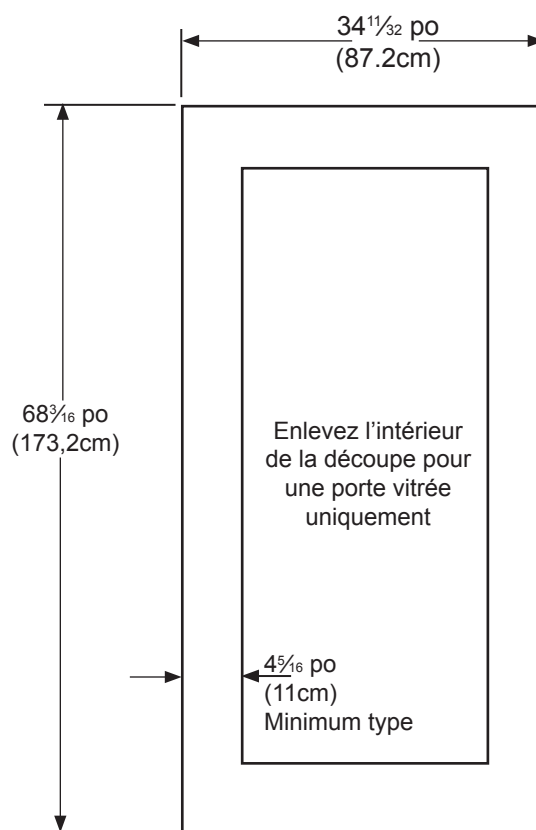


Figure 30

# RÉGLAGES DE CHARNIÈRES ET DE JOINT

## Réglage de charnières et de joint

Il est possible que la porte se désaligne durant l'expédition.

Si un produit est installé en n'étant pas bien d'aplomb, les portes peuvent ne pas être alignées correctement. Vérifiez donc l'aplomb AVANT de régler les charnières.

### REMARQUE

Des joints de porte peuvent à l'occasion être écrasés pendant l'expédition. Si un joint ne permet pas l'étanchéité sur tout le tour, réchauffez-le légèrement avec un sèche-cheveux et sortez le légèrement en le tirant jusqu'à ce que la partie aimantée du joint colle contre l'armoire.

Pour exposer les vis de charnière de porte cachées, enlevez les boutons de bouchage s'il y en a. Toutes les sections de charnière fixées aux portes se règlent à gauche ou à droite. Les charnières d'armoire en haut et en bas se règlent en plus vers l'intérieur ou l'extérieur. Voyez la Figure 32 (vue sans garniture d'armoire).

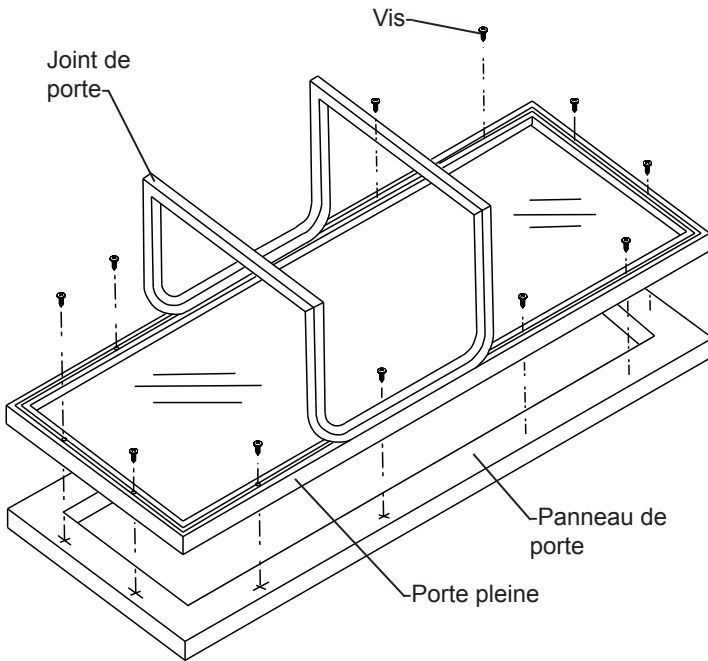


Figure 31

## Étape 3 : Fixation du panneau de revêtement sur la porte

1. Enlevez le joint de l'avant de porte (Voyez la Figure 31). Pour cela, sortez-le du canal qui le retient sur l'avant de porte. Cela va exposer les trous de traversée pour le montage du panneau de revêtement personnalisé (Voyez la Figure 31).
2. Mettez la porte sur le panneau de revêtement et alignez les bords (Voyez la Figure 31). Maintenez le panneau en position et marquez l'emplacement des avant-trous. Récupérez la taille requise des avant-trous dans le Tableau D ci-dessous, et percez-les en vous assurant de ne pas traverser complètement le panneau de revêtement.

Tableau D : Tailles de perçage des avant-trous pour vis à bois

Type de matériau	Vis à bois #10
Bois dur	Avant trou Ø $\frac{3}{4}$ po (3,6 mm)
Bois tendre	Avant trou Ø $\frac{1}{2}$ po (3,2 mm)

3. Insérez les vis à bois dans les trous de passage et serrez-les pour fixer le panneau de revêtement.
4. Réinsérez le joint dans son logement. Assurez-vous que les coins de joint sont bien insérés.
5. Remettez la porte sur l'armoire en inversant la procédure de l'étape 1.

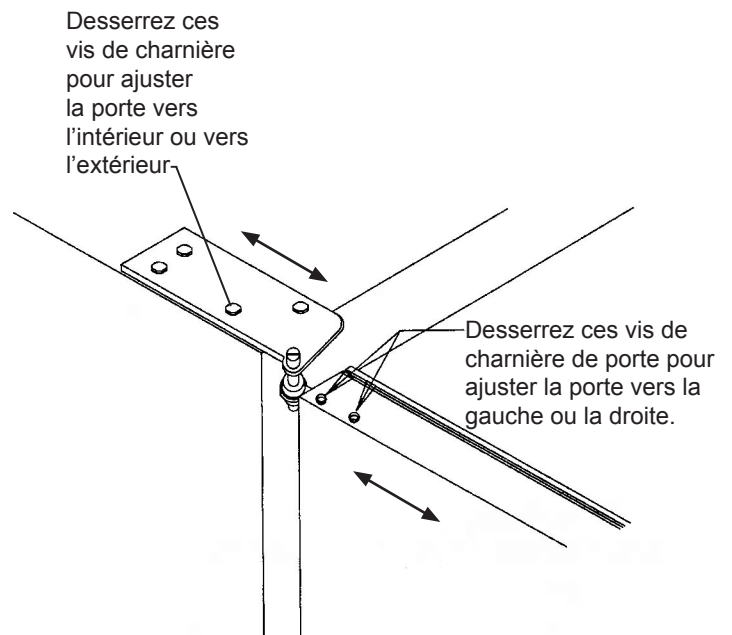


Figure 32

# INSTALLATION DES PANNEAUX LATÉRAUX ET DE LA PLINTE

## Instructions pour fixer les panneaux latéraux sur le congélateur

1. Les panneaux latéraux doivent avoir une profondeur de 24 pouces (61cm) (ou  $24\frac{5}{16}$  po (61,8cm) quand ils sont rentrés dans la garniture frontale).
2. La hauteur de panneaux correspond à celle de l'installation.
3. Installez les panneaux frontaux selon les schémas ci-contre à droite.

### REMARQUE

Pour éviter d'endommager les panneaux ou le revêtement de sol, relevez légèrement les panneaux pour les écarter du sol à l'installation.

Percez trois (3) trous de chaque côté à distance égale dans la section verticale du cadre en aluminium et placez des vis comme c'est montré.

Ancrez le panneau latéral avec une vis comme c'est montré. Assurez-vous que la vis utilisée n'a pas de plus d'un demi pouce de profondeur (1,3 mm) dans le produit. Ne serrez PAS avec excès.

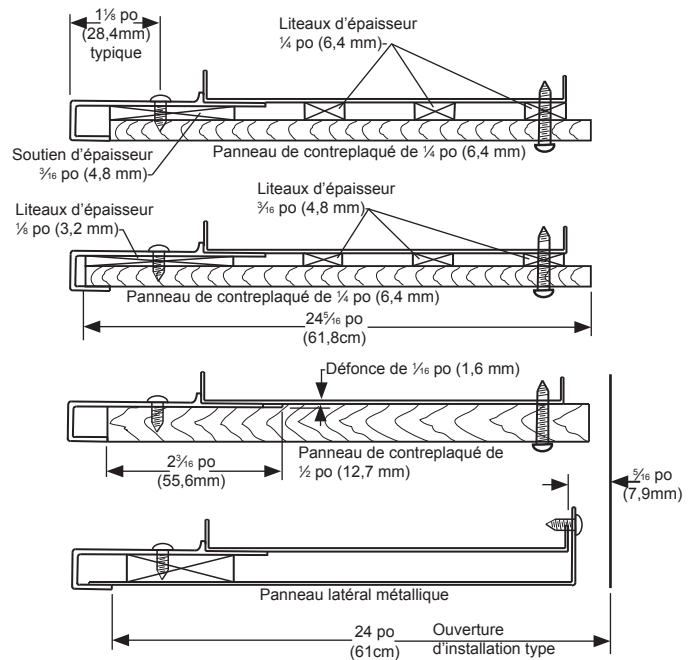


Figure 33

## Installation de plinthe

Utilisez deux (2) vis de tôlerie #8 (fournies) pour faciliter le maintien en place de la plaque de plinthe. Montez les vis dans les trous de la base à rouleau. Cachez les têtes de vis avec les capuchons fournis (Voyez la Figure 34).

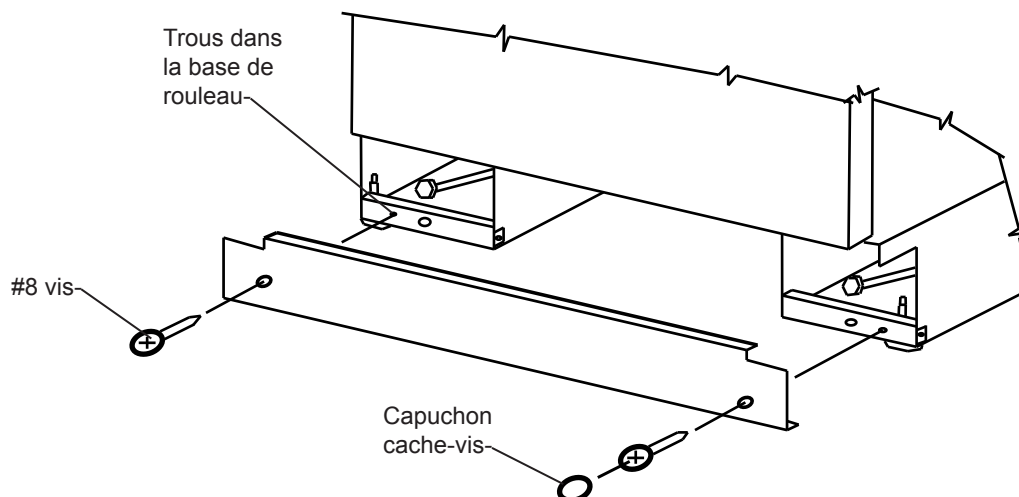


Figure 34



# CONTRÔLES D'INSTALLATION/ERREURS HABITUELLES

## Contrôles d'installation

- Le support de montage anti-basculement doit être installé correctement et ancré pour éviter que l'armoire ne bascule vers l'avant.
- Un module doit être engagé dans les fentes sur les supports de positionnement de module, et placé sur le joint en mousse sans poches d'air. Les supports de positionnement de module ne doivent pas être enlevés.
- Tous les fils allant de l'armoire inférieure au module doivent être bien connectés. Si un problème est soupçonné, inspectez les prises mâles et femelles et assurez-vous que les bornes dans la prise sont suffisamment avancées pour s'engager.
- L'armoire doit être bien d'aplomb, d'un côté à l'autre et d'avant en arrière. Les pieds de mise à niveau avant doivent reposer fermement sur le sol. Les aménagements des deux côtés de l'armoire doivent être fixés et de niveau pour éviter que l'armoire ne se décale quand les portes sont ouvertes.
- Les portes ouvertes ne doivent pas toucher des cloisons adjacentes ou des dessus de comptoir.
- Les joints doivent assurer une étanchéité complète. Si c'est le cas, aucun autre ajustement n'est nécessaire.
- Ne surchargez PAS les étagères et n'obstruez pas les conduits d'air froid.
- N'installez PAS une étagère de congélateur plus près que 8 pouces (20 cm) du haut de l'intérieur.
- Ne laissez PAS d'emballages déborder des côtés ou de l'arrière des étagères car cela gênerait la circulation d'air, et rendrait le congélateur moins efficace.

## Erreurs d'installation fréquentes

- Toutes fuites d'air entre le module et l'armoire vont empêcher le bon fonctionnement de l'ensemble.
- La prise d'alimentation secteur doit être située d'une façon qui n'interfère pas avec l'alignement entre le module et l'armoire quand l'ensemble est poussé en place.
- Une liaison de cordon d'alimentation à prise secteur placée sous le module d'alimentation créerait une fuite d'air.
- Des fiches venant de l'armoire pourraient ne pas être branchées au module d'alimentation.
- Un sol sous les produits d'un niveau de surface inférieur à la finition de sol autour rendrait l'ensemble inaccessible pour du service. La surface sous l'ensemble doit être suffisamment solide pour supporter le poids de réfrigérateur/congélateur à pleine charge.
- L'ancrage de l'ensemble peut être défectueux (pour empêcher le basculement). Le support doit être bien fixé sur des montants muraux.
- Une mauvaise mise de niveau d'armoire et/ou de module d'alimentation peut entraîner un débordement d'eau de dégivrage.

## Guide d'utilisation et d'entretien :

FÉLICITATIONS! Vous pouvez maintenant vous enorgueillir de posséder un ajout superbe et durable dans votre cuisine. Les informations qui suivent vous aideront à profiter au mieux de votre acquisition.

### Utilisation de votre réfrigérateur :

La circulation d'air froid garde vos aliments réfrigérés frais. De gros conteneurs placés côte à côte peuvent réduire le flux d'air. Espacez les aliments de façon à ce que de l'air froid puisse circuler autour.

Pour conserver un maximum d'humidité et de saveur, fermez bien les conteneurs ou scellez les aliments dans un emballage étanche. Des aliments odorants qui peuvent en affecter d'autres doivent toujours être bien enfermés de façon étanche.

Viandes, poissons et volailles peuvent être conservés sans risques quelques jours dans la section réfrigérateur, mais en règle générale c'est le congélateur qui doit être utilisé pour de la conservation de plus longue durée.

Les légumes et les fruits doivent être lavés, séchés et rangés dans le bac à légumes coulissant. Ils se conserveront plus longtemps s'ils sont enfermés dans des boîtes en plastique ou enrobés de film plastique.

Couvrez bien les restes et utilisez-les dans les deux jours.

Les étagères se règlent dans diverses positions, permettant un rangement flexible et une optimisation de l'utilisation d'espace. Les étagères de porte réglables ont une grande contenance, et reçoivent même des grosses bouteilles. Verrouillez fermement les étagères en place avant de les charger.

## REMARQUE

NE bloquez PAS l'air entrant dans la section de réfrigérateur. Les aliments ou les liquides peuvent geler s'ils sont placés trop près de l'arrivée d'air.

Tous les bacs à légumes, ainsi que le panier de congélation fourni sur les modèles côte à côte, sont conçus pour être mis TOUT EN BAS de leurs compartiments.

# GUIDE D'UTILISATION ET D'ENTRETIEN

## Utilisation de votre congélateur :

Des viandes, poissons et volailles dans un emballage en plastique fermé peuvent être entreposés dans le congélateur pour deux semaines. Pour des conservations au froid plus longues, enveloppez ces aliments dans une feuille ou autre emballage pour congélateur qui soit étanche à la vapeur et à l'humidité. Des conteneurs pour aliments surgelés doivent être hermétiquement fermés. Si un aliment était à l'origine entouré de simple papier boucherie, il faut le déballer et le protéger correctement.

Pour avoir une température plus régulière, espacez les aliments pour ne pas gêner le flux d'air, particulièrement à l'arrière. Un léger givrage peut se produire sur les étagères quand la porte du congélateur est ouverte. Une fois sa porte refermée, le courant de l'air élimine graduellement ce givrage.

Des montants variables de givre peuvent se former occasionnellement dans le compartiment du congélateur, en particulier dans les zones près du retour d'air en haut. C'est l'ajout normal par l'air froid humide circulant dans la section réfrigérante pour aider à garder les aliments frais plus longtemps.

## Si votre congélateur comporte une production de glaçons :

Installez l'étagère de congélateur en troisième position en partant du haut en partant de l'échelle d'accrochage (Voyez la Figure 35), cela va positionner correctement le seau à glaçons pour bon fonctionnement de la machine à glaçons.

Les premiers seaux produits peuvent contenir de la contamination venant de la nouvelle installation. Jetez au moins les deux premières productions, ou jusqu'à ce que la glace produite n'ait plus ni coloration ni mauvais goût.

La machine à glaçons produit dès que le congélateur est froid. Elle se coupe dès que le seau est plein, dans la mesure où il est bien positionné. Quand vous installez l'étagère pour le seau à glaçons, mettez-la à la hauteur montrée sur l'étiquette apposée sur le côté gauche du congélateur. Voyez la Figure 35.

Relevez le bras d'arrêt hors du passage quand vous enlevez ou remettez en place le seau à glaçons.



**ATTENTION**

Ne mettez jamais les doigts ou des objets étrangers ou des paquets d'aliments près de la lame d'éjecteur.

## Cycle type de production de glaçons :

1. La machine à glaçons se remplit d'eau.
2. Quand cette eau gèle, le moteur fait tourner la lame d'éjecteur contre le bloc de glace. La lame s'arrête quand elle touche la glace.
3. Le chauffage libère la glace de la forme.
4. Le moteur démarre à nouveau. La lame pousse le glaçon découpé de la forme vers le seau. La lame d'éjecteur fait deux (2) tours puis la machine à glaçons se remplit d'eau à nouveau.

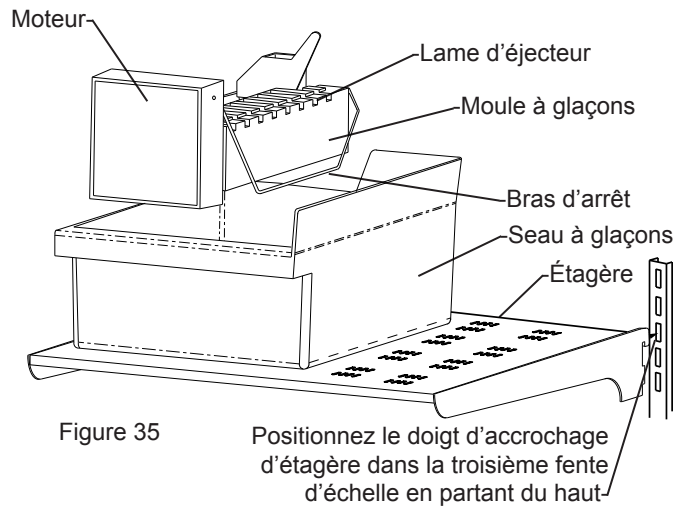


Figure 35

Positionnez le doigt d'accrochage d'étagère dans la troisième fente d'échelle en partant du haut

Quand le seau est plein et placé en bonne position (c'est-à-dire le plus haut possible), le bras d'arrêt détecte le niveau de glaçons et stoppe leur fabrication.

Pour arrêter autrement la machine à glaçons, quelque soit le contenu du seau, levez le bras en position d'arrêt. Pour redémarrer la production de glaçons, rabaissez le bras d'arrêt.

**DURÉE DE CYCLE ...** Elle varie selon les ouvertures de porte, les températures d'eau, etc.

## FONCTIONNEMENT NORMAL DE LA MACHINE À GLAÇONS

- Des sons sont à attendre : Ronronnement de moteur ; craquement de la lame d'éjecteur ; chute de glaçons dans le seau ; circulation d'eau ; ouverture d'électrovanne d'arrivée d'eau.
- Formations de givre dans la zone de la machine à glaçons : Dès que de l'eau fraîche arrive dans la forme, du givre s'établit près de la zone. Cela n'affecte pas le bon fonctionnement de votre congélateur.
- Les glaçons dans le seau peuvent à la longue se souder ensemble et récupérer des odeurs. Jetez les glaçons trop vieux... Votre machine à glaçons vous en produira des nouveaux.

# GUIDE D'UTILISATION ET D'ENTRETIEN

## Températures :

La température est automatiquement contrôlée par un thermostat. Le contrôle du congélateur est situé sur son dessus. Le chiffre trois (3) de force de réfrigération est un bon réglage pour commencer. Les chiffres inférieurs sont des consignes pour des températures intérieures plus chaudes, les chiffres supérieurs permettent de refroidir plus.

## REMARQUE

Pour aider à conserver les aliments froids plus longtemps, un certain niveau d'humidité est désirable dans le compartiment d'entreposage des aliments. Vous pouvez le constater sur les parois, ou sous la forme de gouttes ou chandelles de glace, spécialement par temps chaud ou humide, où quand il y a des ouvertures de porte fréquentes ou prolongées. C'est normal, et en aucun cas dangereux. Si des dépôts se déposaient occasionnellement, ils résulteraient en général de ce qui a été dit précédemment, ou d'une surabondance de denrées. Une telle accumulation éventuelle doit être éliminée de temps en temps.

## Dégivrage :

Le dégivrage est automatique. Il se produit dans le module d'alimentation, au-dessus et à l'écart de vos aliments. Pendant plusieurs minutes chaque jour le compresseur et le ventilateur intérieur vont être coupés, tandis que toute accumulation de glace est éliminée des serpents.

## Nettoyage :

Il est facile de maintenir propre votre congélateur intégré. À l'occasion nettoyez les cloisons intérieures, les étagères, les intérieurs et les joints de portes, avec une solution faite de deux cuillères à café de bicarbonate de potassium dans un litre d'eau tiède. Des produits abrasifs puissants et des poudres nettoyantes ne sont pas nécessaires et ne doivent jamais être utilisés. Ne passez pas de pièces dans un lave-vaisselle.

Il est recommandé de couper l'alimentation électrique en amont avant le nettoyage. Essorez bien tout excédent d'humidité de l'éponge ou du linge, et évitez de trop mouiller, en particulier en nettoyant près de commutateurs, d'éclairages ou de commandes.

Si l'intérieur, les étagères ou l'extérieur de votre produit est en acier inox, passez un produit nettoyant pour ce type de surface avec un chiffon pour le nettoyage.

## Procédure de nettoyage du condenseur :

Le condenseur est situé derrière la grille du haut. Il fait partie du module d'alimentation, complètement à droite. Il comporte des tubes horizontaux avec des fils verticaux de petit diamètre, et est de couleur noire. Il est à distance de la poussière du sol, mais cependant il faut y chercher une éventuelle accumulation de poussière au moins deux fois par an, et l'essuyer ou l'aspirer s'il y a lieu. N'oubliez pas de couper en amont l'alimentation secteur avant d'enlever la grille et avant d'exposer, nettoyer et/ou aspirer le condenseur.

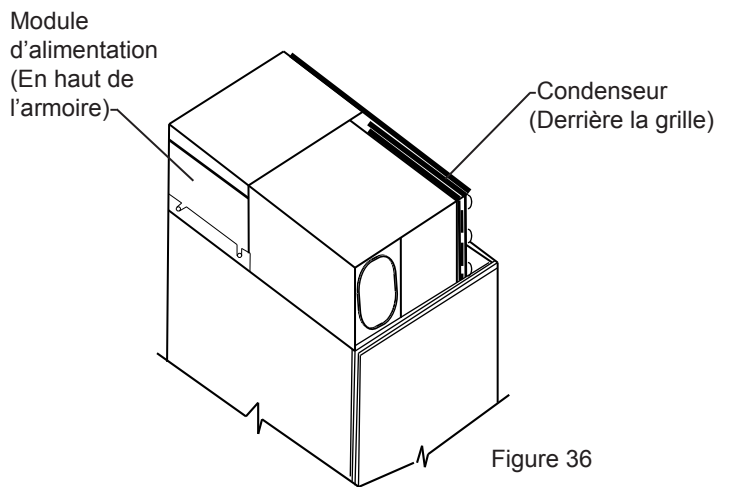
La grille à volets noire ou en acier inox est monobloc. Il y a trois façons d'enlever la grille. La méthode de montage la plus couramment utilisée est avec des ressorts. Ce(s) ressort(s) sont situés derrière le dos de la grille. Il(s) sont montés en haut de l'armoire et accrochés aux trous carrés du dos de grille. Pour enlever la grille, tirez-la vers l'avant et atteignez le ressort pour le décrocher du dos de la grille. La grille pourra alors être enlevée complètement.

La deuxième méthode (optionnelle) est avec des supports de montage derrière le dos de grille. Tirez la grille vers l'avant d'environ 1 pouce (2,5 cm) pour exposer les vis du haut dans les supports. Desserrez ces vis mais ne les enlevez pas. Faites-le sur chaque support. ATTENTION, quand les vis sont desserrées, le dos de grille est libéré, ne le laissez pas tomber. Saisissez la grille de chaque côté et basculez son haut vers l'avant et levez pour sortir la grille de son montage.

Un panneau de grille personnalisé peut être enlevé en soulevant le tableau de bord et en le tirant vers l'avant. Le dos de grille est maintenu en place par une vis au centre montant dans l'armoire adjacente. Enlevez cette vis et le dos de grille peut être enlevé.

La grille à volets est lourde, faites donc attention en l'enlevant. Maintenant vous pouvez inspecter le condenseur pour traiter l'accumulation de poussière.

N'oubliez pas de fixer à nouveau la grille du haut après un nettoyage pour éviter des dommages corporels, car elle pourrait tomber si elle était mal tenue.



# CONSEILS POUR ÉCONOMIE D'ÉNERGIE ET BRUITS EN PROVENANCE DU RÉFRIGÉRATEUR

## Les suggestions suivantes vont minimiser le coût de fonctionnement de votre appareil de refroidissement.

1. N'installez pas votre appareil près d'un autre appareil chaud (cuisinière, lave-vaisselle, etc.), d'une conduite d'air chaud, ou d'autres sources de chaleur.
2. Placez l'appareil à l'abri du rayonnement solaire direct.
3. Assurez-vous que les événements de la grille devant l'unité au-dessus de la porte ne sont pas obstrués et maintenus propres de façon à permettre une ventilation du système de refroidissement et chasser la chaleur.
4. Branchez votre appareil sur un circuit d'alimentation secteur dédié (Sans partage avec d'autres appareils).
5. Quand vous chargez initialement votre produit neuf, ou au cas où de grosses quantités de contenu tiède sont placées dans le compartiment de conservation au froid, minimisez les ouvertures de porte pendant les 12 heures qui suivent pour permettre au contenu de tomber à la température de consigne du compartiment.
6. En maintenant un compartiment d'entreposage relativement plein, il faut moins de périodes de fonctionnement en refroidissement de l'appareil qu'avec un compartiment vide.
7. Assurez-vous que la fermeture de porte n'est pas obstruée par des denrées entreposées dans votre appareil.
8. Permettez aux denrées chaudes de revenir à la température ambiante avant de les placer dans l'appareil.
9. Minimisez la fréquence et la durée des ouvertures de porte.
10. Utilisez le point de consigne de température le plus haut qui respecte votre préférence personnelle, et fournissez l'entreposage qui convient pour vos denrées conservées.
11. Quand vous êtes en vacances ou loin de la maison pour des périodes prolongées, réglez la consigne de l'appareil à la température la plus haute admissible pour la conservation de son contenu.
12. Réglez le contrôle en position d'arrêt (off) si le nettoyage de l'appareil nécessite que sa porte reste ouverte pour une période longue.

## Bruits en provenance du réfrigérateur :

Votre réfrigérateur neuf peut produire des bruits qui ne vous sont pas familiers. Ces bruits indiquent normalement un bon fonctionnement du réfrigérateur. Notez que la présence de surfaces dures autour du produit installé peut amplifier ces bruits.

Voici une liste des bruits normaux en fonctionnement que vous pourrez entendre avec votre nouvel appareil :

- 1) Le compresseur va avoir des cycles d'activation/désactivation pour générer du froid selon le besoin. Vous pourrez entendre un déclic quand le compresseur démarre, ainsi qu'une pulsation et/ou un ronflement aigu quand il est en marche. Sa durée d'activation est variable selon la température ambiante, le rythme d'utilisation et d'ouverture de portes, et le chargement en produits à refroidir.
- 2) Le ventilateur du compresseur va également s'activer/se désactiver en même temps que lui pour évacuer la chaleur du produit. Quand il tourne vous pouvez entendre un ronronnement de moteur, et le bruit du passage en force de l'air au travers de l'échangeur thermique du compresseur.
- 3) Le ventilateur d'évaporateur va également s'activer/se désactiver avec le compresseur afin de fournir du refroidissement dans les compartiments d'entreposage. Quand il tourne vous pouvez entendre un ronronnement de moteur, et un bruit d'air déplacé. Ces bruits seront perçus plus fortement quand les portes de compartiments d'entreposage sont ouvertes.
- 4) Le dégivrage automatique nécessite l'utilisation d'un réchauffage électrique pour éliminer périodiquement la glace de l'échangeur thermique d'évaporateur. Dans le mode de dégivrage vous pourrez percevoir un grésillement quand de l'eau entre en contact avec l'élément de chauffage. En plus, durant un dégivrage vous pourrez entendre de l'eau en résultant qui goutte ou s'écoule vers le bac de drainage.
- 5) Le dégivrage est contrôlé par une minuterie mécanique. Durant le cycle d'arrêt du compresseur, si l'environnement est silencieux, vous pourrez percevoir un faible ronronnement de moteur, et/ou un mouvement d'horlogerie.
- 6) Au moment de l'arrêt du compresseur, vous pourrez temporairement entendre des bruits d'eau qui gargouille, bout ou s'écoule. Cela provient du flux de réfrigérant dans sa tubulure comme les pressions du système s'égalisent durant le cycle d'arrêt.
- 7) Des petits claquements peuvent être entendus n'importe quand du fait des contractions/expansions thermiques de composants dans les compartiments lors du changement de températures durant le cycle de refroidissement.
- 8) Si votre appareil est équipé d'une machine à glaçons, vous entendrez un bourdonnement quand l'électrovanne d'alimentation en eau est activée. Vous entendrez aussi de temps en temps la récolte des glaçons, incluant un bruit de fonctionnement de moteur, des craquements et la sortie des glaçons depuis leur moule, ainsi que leur chute dans le bac à glaçons.

# DÉPANNAGE ET OBTENTION DE SERVICE

## Avant d'appeler pour du service

Si l'appareil semble présenter un dysfonctionnement, commencez par bien relire son manuel. Si le problème persiste, consultez le guide de dépannage qui suit. Identifiez le problème dans ce guide et consultez les colonnes de causes et de remèdes avant d'appeler pour du service. Le problème peut être quelque chose de très simple qui peut se résoudre sans demander une intervention de service. Cependant il peut être nécessaire de contacter votre revendeur ou un technicien de service qualifié.



## AVERTISSEMENT

### Risque d'électrocution –

Ne tentez jamais de réparer ou d'exécuter de la maintenance sur l'appareil avant que son alimentation électrique n'ait été débranchée en amont. Passer l'appareil sur arrêt (OFF) n'enlève pas la présence de tension secteur sur les fils de câblage.

## Dépannage

Si l'appareil ne démarre pas quand il est branché électriquement, contrôlez ce qui suit :

- Les éclairages s'allument-ils quand la porte du congélateur est ouverte ? Si ce n'est pas le cas, contrôlez les ampoules, puis vérifiez ...
  - Le cordon d'alimentation du meuble inférieur est-il branché dans le module ?
  - Le cordon d'alimentation est-il branché dans une prise secteur ?
  - Le fusible ou le disjoncteur en amont permettent-ils l'envoi du secteur ? Contrôlez-le en branchant un autre appareil électrique sur cette prise secteur.
- Une fois que les éclairages s'allument bien à l'ouverture de la porte ...
  - Tournez la commande de minuterie de dégivrage en sens horaire (elle pouvait être restée en position «defrost») jusqu'au démarrage du compresseur.
- Si le moteur bourdonne mais ne démarre pas ...
  - Contrôlez que la tension est adéquate sur la prise secteur.
  - La cave peut avoir été précédemment transportée ou entreposée sur le côté ou à l'envers, ce qui aurait causé un déplacement temporaire de l'huile de moteur. Laissez-la alors reposer 24 heures avant de la rebrancher électriquement.

## Si du service est nécessaire :

- Si le produit est encore dans sa première année de garantie, veuillez appeler le service à la clientèle d'AGA MARVEL au 800.223.3900 pour avoir des instructions sur la façon d'obtenir une couverture sous garantie dans votre secteur.
- Si le produit est sorti de sa première année de garantie, le service à la clientèle d'AGA MARVEL peut vous fournir des recommandations sur les centres de service de votre secteur. Une liste des centres de service indépendants agréés est également disponible sur le site [www.agamarvel.com](http://www.agamarvel.com) sous la section de service et d'assistance.
- Dans toute correspondance relative au service, assurez-vous de bien fournir la référence de service, le numéro de série et le justificatif de l'achat.
- Essayez de donner des informations ou une description de la nature du problème, sur la durée pendant laquelle l'appareil a fonctionné, sur les températures de la pièce et de l'eau, et toutes les informations pouvant être utiles pour une résolution rapide du problème.
- Le Tableau D est fourni pour enregistrer les informations pertinentes sur votre produit, comme référence ultérieure.

Pour vos archives	
Date d'achat	
Nom du revendeur	
Adresse du revendeur	
Ville du revendeur	
État/province du revendeur	
Code Zip/postal du revendeur	
N° de série de l'appareil	
Référence de service de l'appareil	
Date d'envoi de la carte de garantie (à faire dans les 10 jours après l'achat)	

Tableau D



# GARANTIE

## **Ensemble de l'appareil – Garantie limitée d'un an**

AGA MARVEL garantit qu'il fournira toutes les pièces et la main-d'œuvre nécessaires pour réparer ou remplacer, au domicile de l'utilisateur final, tout composant avéré défectueux du fait des matériaux ou de la main-d'œuvre, en tenant compte des conditions et exclusions décrites plus bas, pendant une période d'une année à compter de la date de vente.

## **Ensemble de l'appareil – Garantie additionnelle limitée pour une deuxième année**

Durant la deuxième année, à compter de la date de vente, AGA MARVEL garantit qu'il fournira uniquement toutes les pièces pour réparer ou remplacer tout composant avéré défectueux du fait des matériaux ou de la main-d'œuvre, en tenant compte des conditions et exclusions décrites plus bas.

## **Système scellé - Garantie additionnelle limitée de six ans**

Durant la période allant de la deuxième année à la fin de septième année, AGA MARVEL fournira toutes les pièces et la main-d'œuvre nécessaires pour réparer ou remplacer, au domicile de l'utilisateur final, toute portion du système de réfrigération hermétiquement scellé - qui est constitué de : compresseur, condenseur, évaporateur, déshydrateur et toute la tubulure de raccordement - avérée défectueuse du fait des matériaux ou de la main-d'œuvre, en tenant compte des conditions et exclusions décrites plus bas.

## **Revêtement intérieur – Garantie limitée de la deuxième à la dixième année.**

Durant la période allant de la deuxième année à la fin de dixième année, à compter de la date de vente, AGA MARVEL fournira toutes les pièces et la main-d'œuvre nécessaires pour réparer ou remplacer le revêtement intérieur du réfrigérateur ou du congélateur si la peinture s'écaille ou rouille, ou s'avère défectueuse du fait des matériaux ou de la main-d'œuvre.

## **Les garanties précédentes ne couvrent pas :**

1. L'éducation du client ou des instructions sur la façon d'utiliser le réfrigérateur/congélateur.

2. Toute perte de contenu due à une panne de produit.

Les garanties qui précèdent ne couvrent pas non plus une panne

## **de l'appareil ou de ses composants due à :**

3. Transport ou dommages consécutifs au transport.

4. Utilisation commerciale ou utilisation domestique anormale.

5. Utilisation incorrecte, mésusage, abus, accident ou altération, câblage de raccordement non conforme aux normes électriques, tension secteur trop élevée ou trop faible, défaut d'entretien notoire, ou toute autre utilisation non raisonnable.

6. Pièces ou service non fournis ou recommandés par l'usine.

## **Les garanties qui précèdent ne s'appliquent pas non plus si :**

1. L'acte de vente d'origine, la date de livraison, ou le numéro de série ne peuvent pas être vérifiés.

2. L'appareil est déplacé par rapport à son installation d'origine.

## **LES GARANTIES DÉFINIES DANS CE DOCUMENT SONT LES SEULES ACCORDÉES PAR AGA MARVEL. TOUTES LES GARANTIES IMPLICITES, Y COMPRIS LA GARANTIE IMPLICITE DE VALEUR MARCHANDE, SONT LIMITÉES À LA DURÉE DE CES GARANTIES EXPLICITES. EN AUCUN CAS AGA MARVEL NE SERA TENU POUR RESPONSABLE DE TOUS DOMMAGES OU DÉPENSES CONSÉCUTIFS OU ANNEXES, RÉSULTANT D'UNE INOBSERVATION DE CES GARANTIES OU D'AUTRES GARANTIES, QU'ELLES SOIENT EXPLICITES OU IMPLICITES.**

Certains États et certaines Provinces ne permettent pas l'exclusion ou la limitation des dommages consécutifs ou une limitation de la durée applicable des garanties implicites, donc la limitation ou exclusion qui précède peut ne pas être applicable à votre cas. Cette garantie vous donne des droits légaux spécifiques, et vous pouvez avoir d'autres droits qui peuvent varier d'une province à une autre.

Aucune personne, firme ou corporation, n'est autorisée à donner une garantie différente, ni à assumer une quelconque autre obligation pour AGA MARVEL. Ces garanties ne s'appliquent qu'à des produits utilisés dans un des cinquante États des États unis d'Amérique et dans le District de Columbia.

Pour obtenir une action dans le cadre de cette garantie, signalez tous les défauts constatés à :

**AGA MARVEL  
1260 E. VanDeinse St.  
Greenville, Michigan 48838, USA**

Pour des questions relatives à la couverture, contactez le revendeur ou le distributeur local qui a effectué la vente.





[www.agamarvel.com](http://www.agamarvel.com)



**AGA MARVEL**

1260 E. VanDeinse St.  
Greenville MI 48838

800.223.3900

35466-FR Rev F  
12/19/13

Toutes les spécifications et les conceptions des produits sont sujettes à des changements sans préavis. De telles révisions ne donnent aucun droit pour l'acheteur de produits antérieurs à bénéficier de ces changements, améliorations, ajouts, remplacements, ni de recevoir une compensation.