

ASSEMBLY INSTRUCTION

TBX-079V

79" OVAL EXTENSION TABLE EXTRA THICK

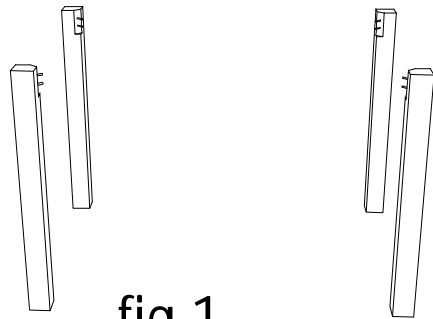


fig 1.

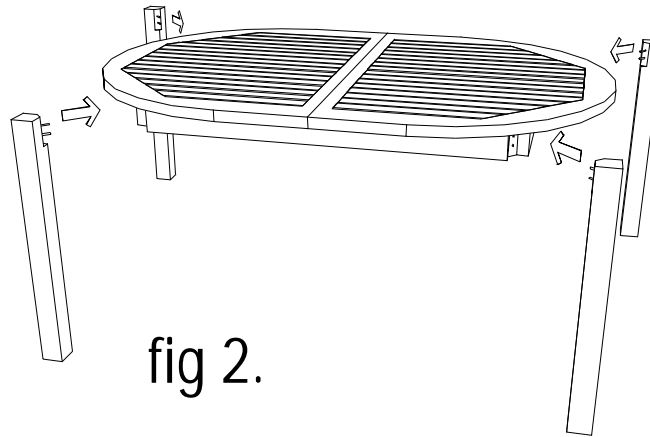


fig 2.

Parts : 4 psc legs, 1 pc top table

Hardware packs

- bolt to clamp the table

Tools requirement

- bolt driver (not supplied)

Assembling

1. Prepare a leg. (Fig. 1)
2. Insert the legs into the table. (Fig. 2)
3. Tighten the bolt (under the table) of the legs.

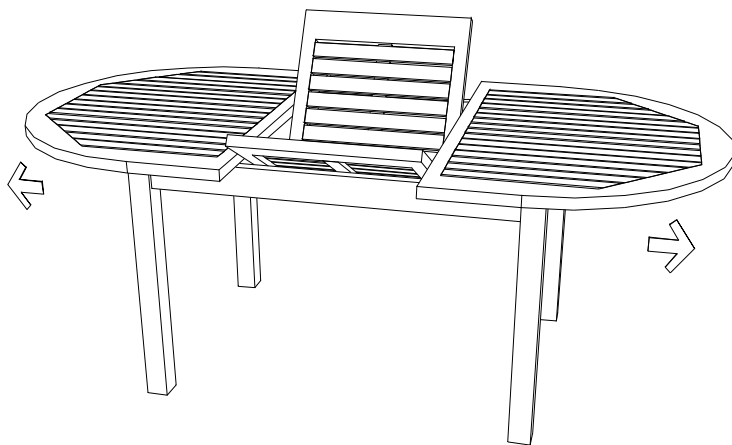


fig 3.

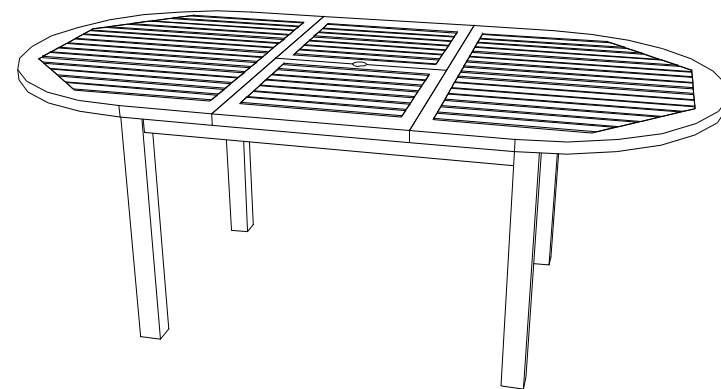


fig 4.