

# ASSEMBLY INSTRUCTION

TBX-087 VT

87" OVAL EXTENSION TABLE EXTRA THICK

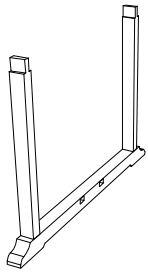


fig 1.

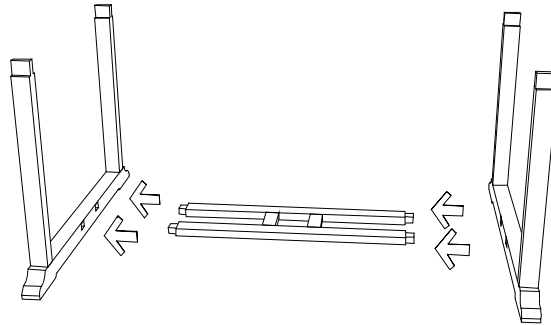


fig 2.

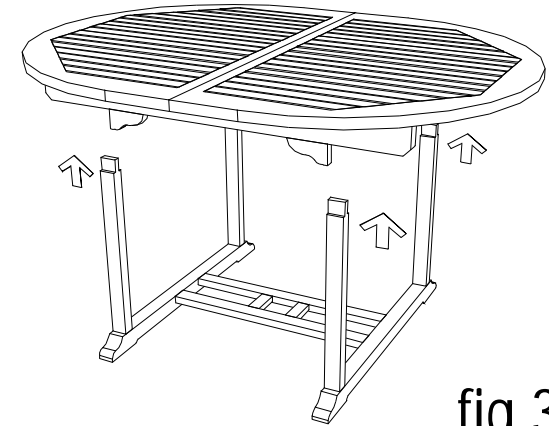


fig 3.

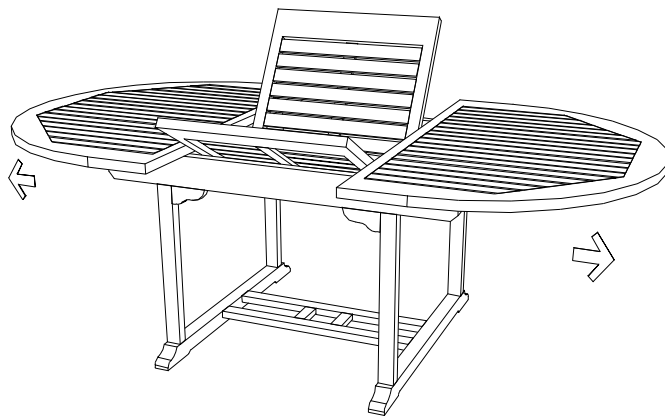


fig 4.

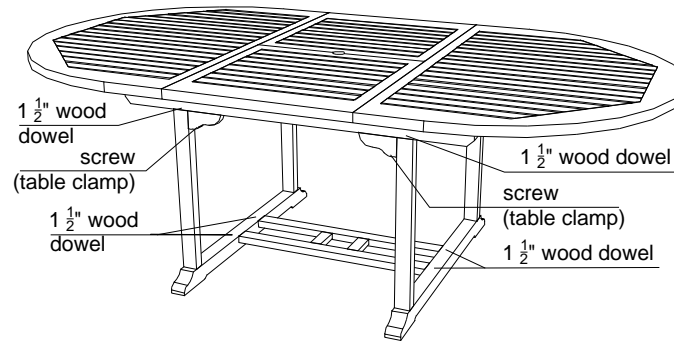


fig 5.

Parts : 2 psc legs, 1 pc legs support,  
1 pc top of table

Hardware packs

- wood dowels for top of legs
- wood screws to clamp legs and the table

Tools requirement

- hammer ( not supplied )
- screws driver ( not supplied )

Assembling

1. Prepare a leg. ( Fig. 1 )
2. Put some glue into the leg's mortise
3. Insert the legs support and Insert the other leg. ( Fig. 2 )
4. Put some glue around the wood dowels and insert it into the legs and the leg support.
5. Screw the table clamp ( under the table ) to the legs.
6. Clean the glue rest using a damp cloth.