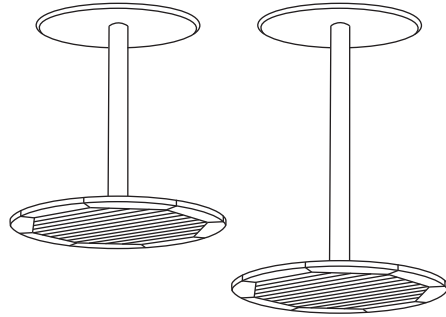


TRAVIRA PEDESTAL & POST TABLES



About Materials

Powder coated aluminum takes metal to a new level of durability, as it is both scratch and rust resistant. Tekwood is a wood-alternative developed from polystyrene. Tekwood provides the look of wood without the weathering process or maintenance. Teak is a tropical hardwood, resistant to rotting, bug infestation, and the effects of wind, rain, sun, and snow. If left untreated Teak weathers naturally to a beautiful silver gray color. Some surface roughness may develop, especially at the end grain, but over a period of about one year, the natural weathering process will stabilize. Small surface cracks that may appear in no way affect the structural integrity of the furniture. Lite-Core is an engineered panel that combines the durability of natural granite stone and the light weight of aluminum. One of the hardest stones available, granite is a highly scratch and stain resistant solid surface that is backed with an aluminum honeycomb panel. This combination results in a beautiful surface that is durable and light weight.

Care Instruction

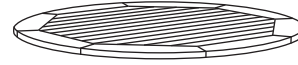
Aluminum and Tekwood require little maintenance, however a regular cleaning is recommended to keep furniture looking new. Wash gently with a mild cleanser, rinse well and let dry. Teak weathers well however, we recommend a routine application of Australian Timber Oil in extremely dry climates. A routine oiling is also recommended for furniture to be used for dining purposes to discourage staining from food and drink spills. For seasonal cleaning rinse the Teak well and then scrub (using a sponge or soft bristle brush) with a mild solution of water, laundry detergent and a little bleach. Rinse with fresh water. Lite-Core is maintained by using a soft rag and mild soap or pH balanced cleaner, rinse thoroughly, and dry with a clean rag. Avoid bleach and cleaners that are acidic, alkaline, or abrasive. To protect against stains, clean spills immediately and re-seal with a penetrating stone sealer twice a year. Scrape away gum or sticky material with a plastic putty knife.

Assembly Instructions page 1

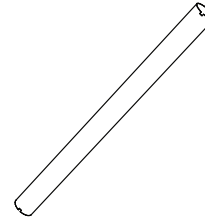
Travira Pedestal & Post

Components

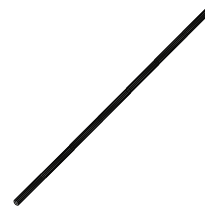
- ① Table Top Assembly  
 QUANTITY: 1



- ② Pedestal Post  
 QUANTITY: 1



- ③ Rod  
 QUANTITY: 1



- ④ Pedestal Base  
 QUANTITY: 1



Hardware

- A Hex Nut  
 QUANTITY: 1



- B Locking Hex Nut  
 QUANTITY: 1



- C Flat Washer  
 QUANTITY: 1



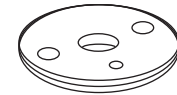
- D Lock Washer  
 QUANTITY: 1



- E Stud  
 QUANTITY: 2



- F Plastic Grommet  
 QUANTITY: 1



NOTE: Table top, post and or base may vary from illustrations but the assembly is the same for all Travira bar & bistro tables.

17" base fits 24" table tops and 32" round bistro tables.  
 23" base fits 32" round and square bar tables and 36" round and square bar and bistro tables

Warranty

Oxford Garden warrants all outdoor furniture and accessories to be free from manufacturing defects in materials and workmanship. Provided the furniture is assembled correctly and is subjected to normal use, Oxford Garden will cover your outdoor furniture under the following five, three and one year warranties. For more details regarding the Oxford Garden warranty, visit [www.oxfordgarden.com/warranty](http://www.oxfordgarden.com/warranty).

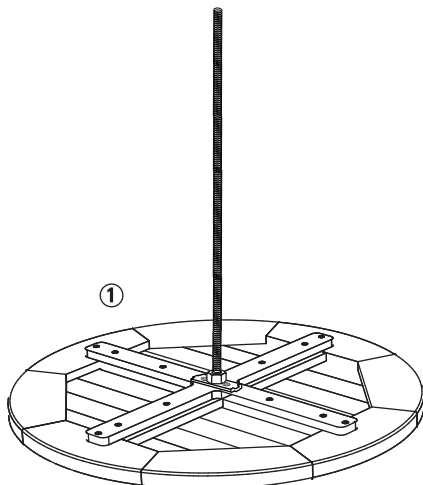
## Step 1

Thread one of the hex nut **A** onto one end of rod **3** about one inch.



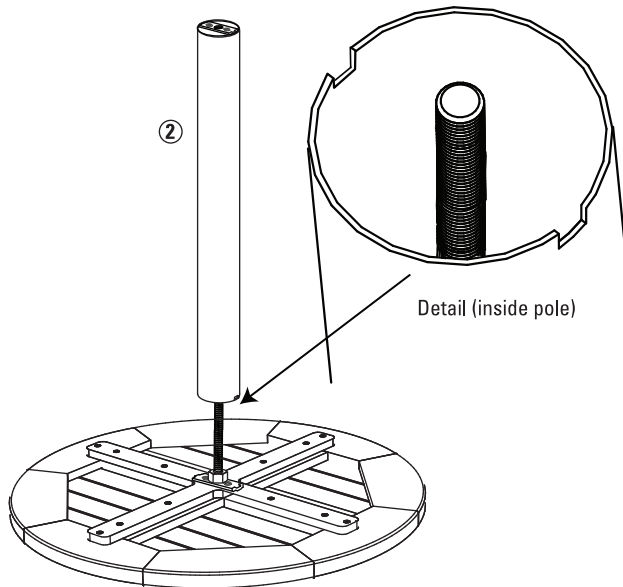
## Step 2

Thread rod into table top **1** snugly until you feel it hit the table top. NOTE: Do not over tighten in this step. Once you feel the rod is snug, reverse the rod about one half a turn. Tighten hex nut securely with wrench.



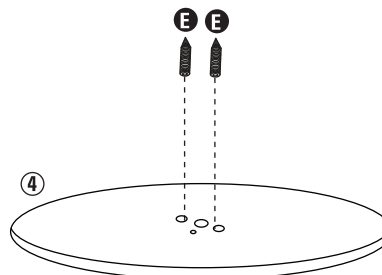
## Step 3

Slide pedestal post **2** over the rod and align notches with small plate on bottom of table as shown.



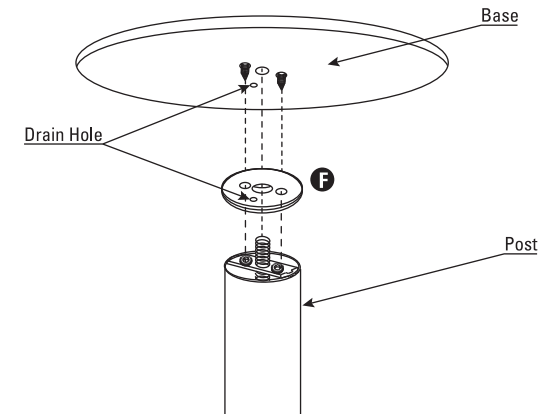
## Step 4

Next, thread the studs **E** into the base **4** with the flat head facing down and pointed head facing up. NOTE: Thread the stud only until it is flush with the bottom of the base.



## Step 5

Place plastic grommet **F** over threaded rod aligning two large holes with the holes in the post. NOTE: Align small drain with drain hole in base. Next, carefully place the pedestal base over the post making sure to line up the studs with the holes in the plate as shown.



## Step 6

Insert flat washer **C**, lock washer **D** and locking hex nut **B** over the rod and secure tightly using wrench.

