

# DELTA GRILL

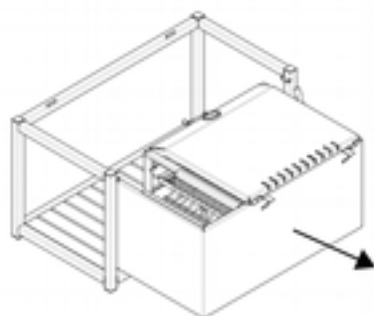
## ASSEMBLY INSTRUCTION MANUAL



The logo for Nuke, featuring the word "Nuke" in a bold, black, sans-serif font. A red flame icon is positioned above the letter "u".

# BASE ASSEMBLY

To build your grill follow the instructions below.



The body of your grill comes mounted on its base. To assemble it follow the instructions indicated in this user manual.

1

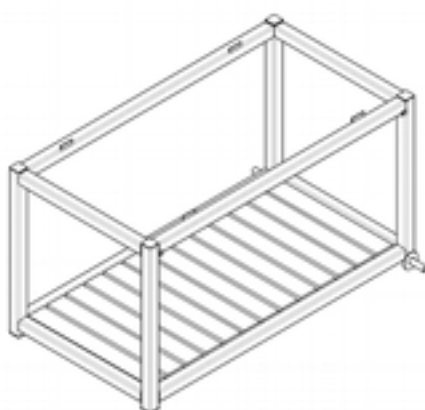
Remove the square removable spout from the base as shown in (picture 2)

2

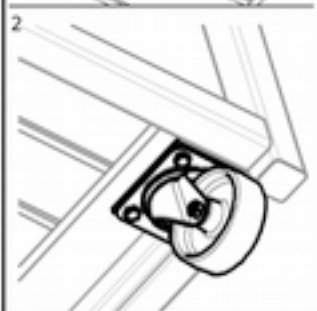
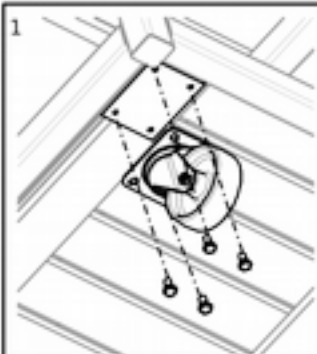
Once you have removed the spout, slide the grill until it is completely removed from the base.



Once the grill has been removed from the base, attach the fixed and rotating wheels, as described below.

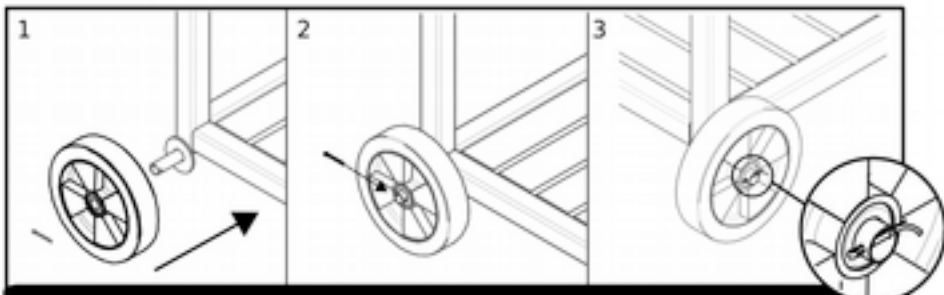


## Placement of rotating wheels

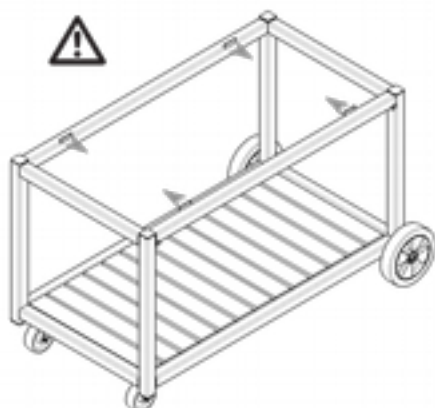


Position the rotating wheels by fastening them with the 5/8" bolts to the base plate of the grill. If you have problems to fix any screws do not fix it. You will need at least 2 of them to fix the rotating wheels properly.

## Placement of fixed wheels.



Place the fixed wheels on the shaft as shown in image 1-2. Then insert the lock in the shaft hole. Once the lock is in place, fold it as shown in figure 3, to ensure it remains properly attached.



1

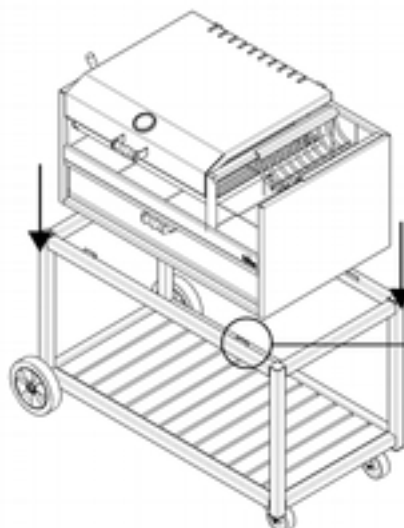
Once the base is assembled with its wheels, place the body of the grill on the base.

2

Make sure that the base is firm between the tops of the base to prevent the body from moving during the transfer of the grill.

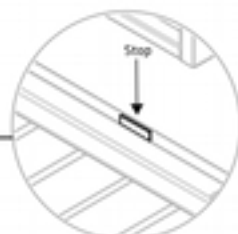


Attention, the removal spout must be placed with stops facing as show in picture, both to the base center.



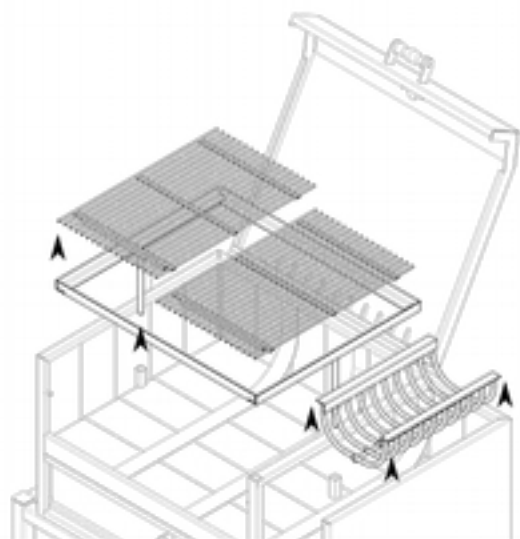
121 lbs.

When moving your grill keep in mind that it is a heavy piece of equipment. perform the task with help from others to avoid injuries.

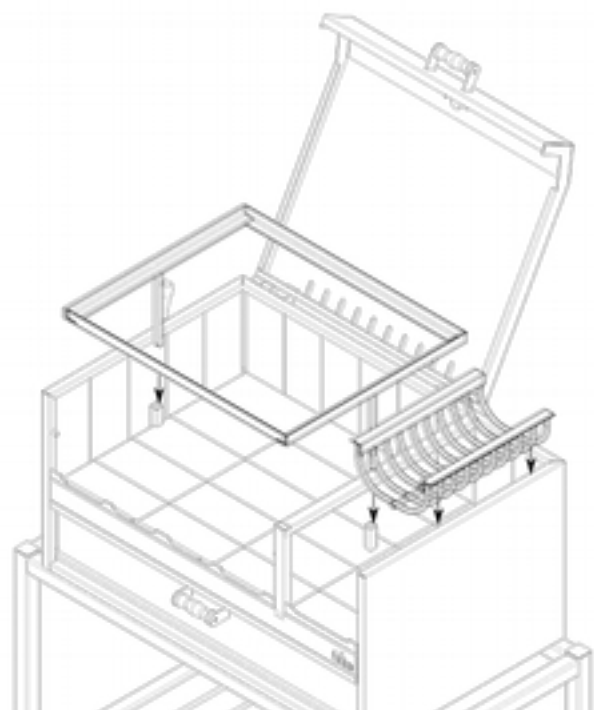


# GRILL ASSEMBLY

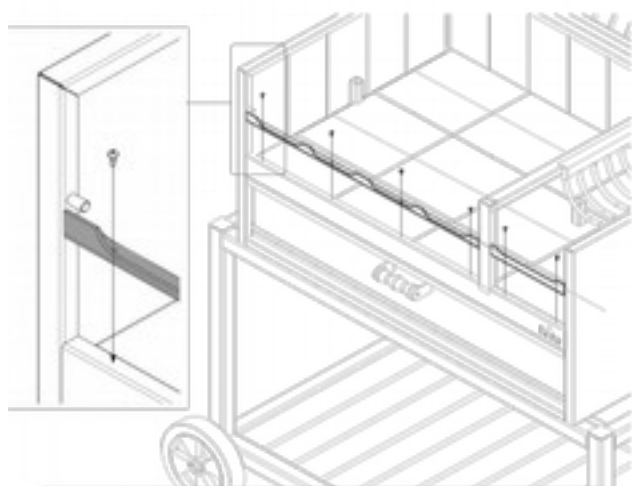
To build your grill follow the instructions below.



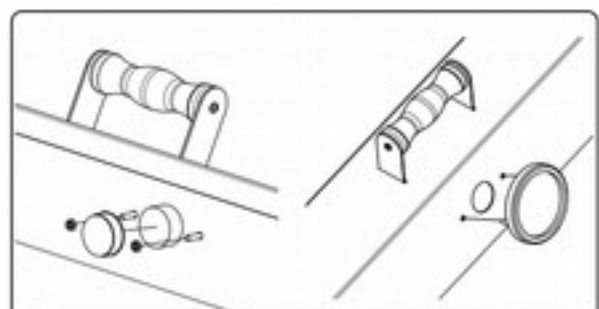
- 1** Remove Frame, fire box and grills to continue with DELTA assembly. The parts are not weld so, you just pull up to remove it.



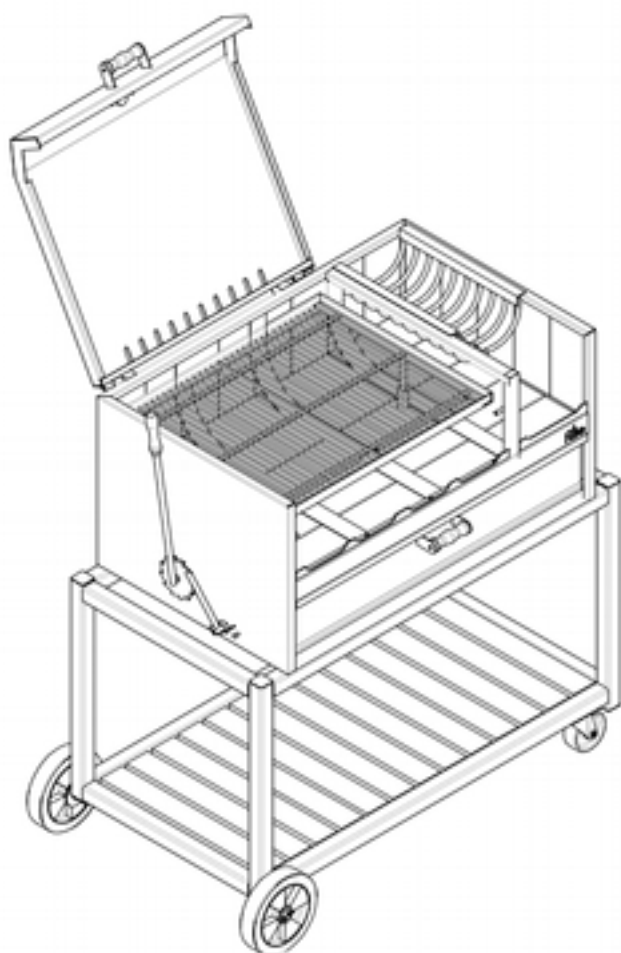
- 3** To finish the assembly replace Frame, grill and fire box.



- 2** Fix the ember protector to the grill with the self tapping screws. Drilling on grill body.



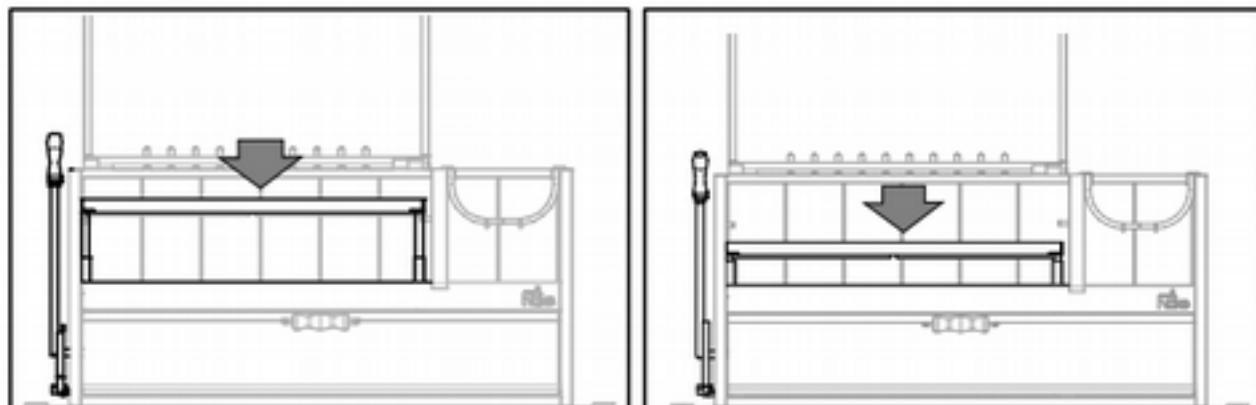
- i** For thermometer replacing, first remove the Thermometer case, then unscrew the nuts. Now you will be able to replace the thermometer.



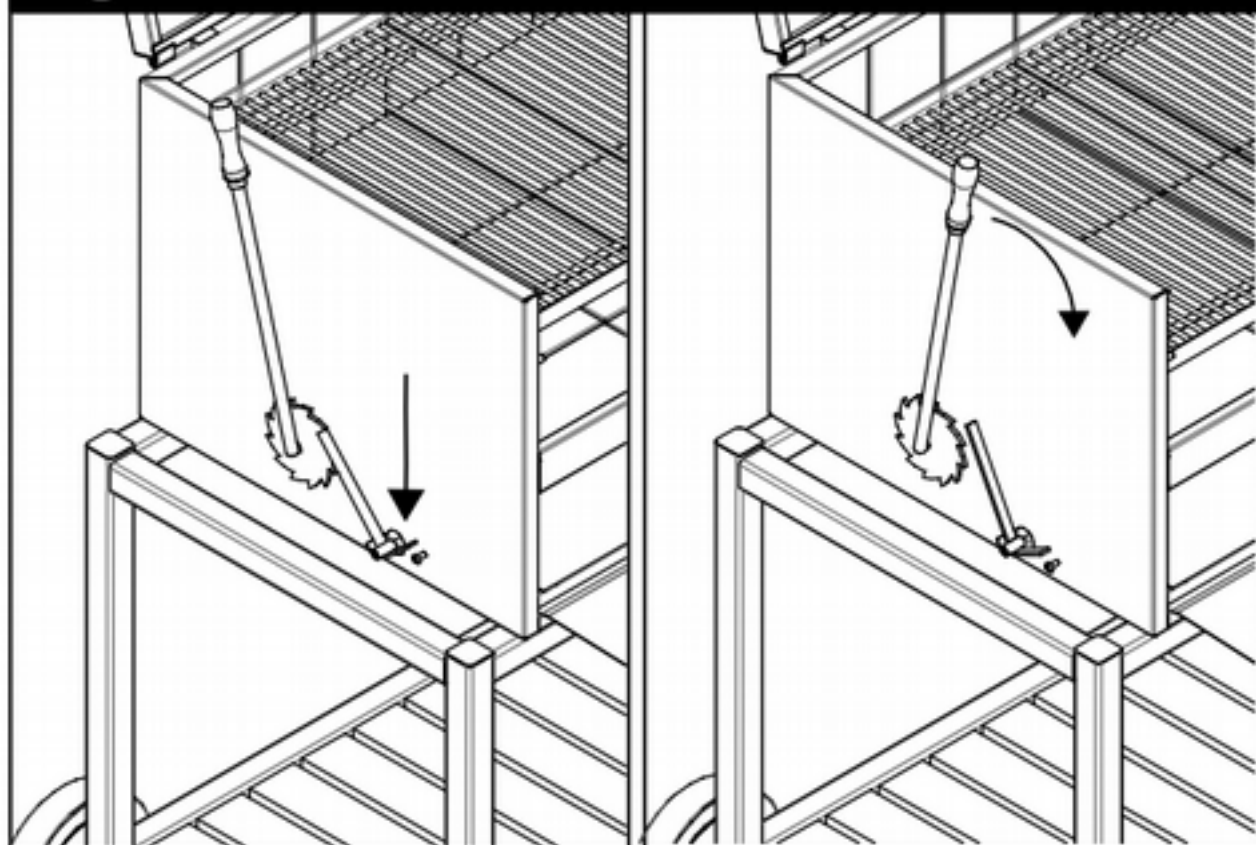
# GRILL FUNCTION

Check the correct function of moving parts

## Grill height control



**Check:** Lower the lock and the grill will descend and go up moving the right handle. The lock must stop the frame.



## FINAL CHECK

Check this items

- Check:** No garbage on grill surface.
- Check:** Wheels easy moving
- Check:** Must be no loose screws and nuts
- Check:** Must be no rust on grill external body, frame, grill and fire box.

## General Instructions



It is not unusual that upon using the grill for the first time, there may be an odor of burnt paint. This is a normal part of the paint curing process and is rarely to repeat itself in the future



Remember never to touch any metal surfaces of the grill while it is in use, as it can produce severe burns.



It is best to store the grill unit in a dry place, moisture may result in oxidization.

The logo for 'Nuke' features the word 'Nuke' in a bold, black, sans-serif font. The letter 'i' is replaced by a stylized red flame icon. The entire logo is set against a light gray rectangular background.

Nuke