



# VC60D



34.88" x 23.25" x 22" (H x W x D)

59 bottle fully integrated dual zone wine cellar with digital controls and LED lighting

### Highlights:

Dual zone design lets you store red and white wine in separate compartments under the appropriate temperature conditions

Double pane tempered glass door protects your collection from harmful light

Digital controls offer easy and intuitive temperature management

Seamless stainless steel trimmed glass door for true luxury

### Product Features:

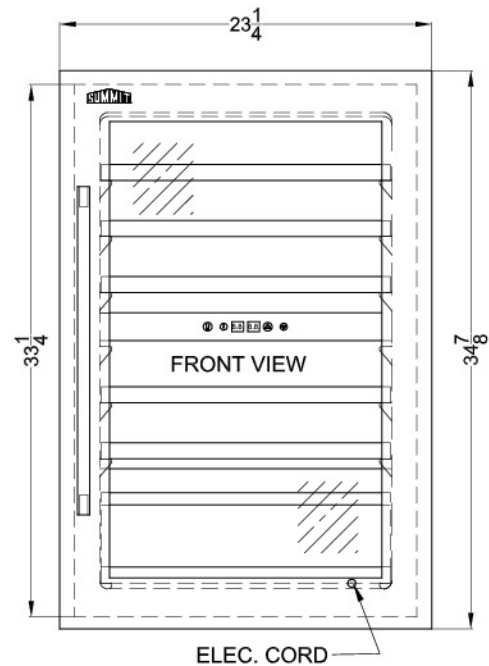
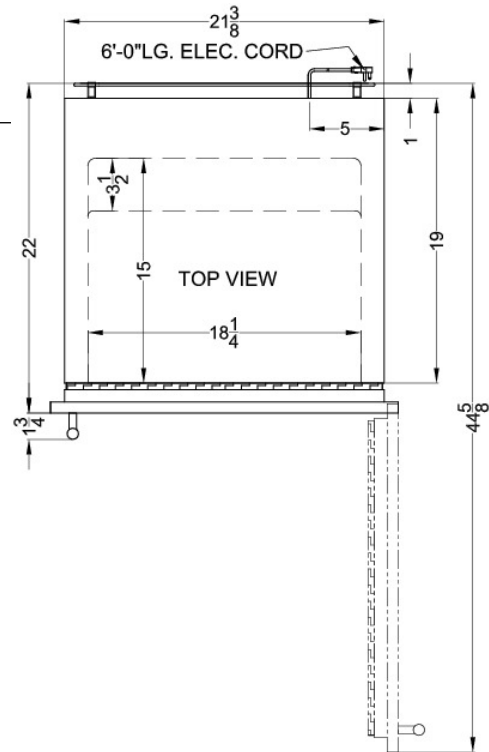
Dual zone design	Lower zone is ideal for storing red and blush wine between 55 and 72°F, while the upper compartment is better suited for cooler blushes and whites at 41 to 55°F
Digital thermostat	Electronic controls ensure easy and intuitive temperature management, with a readout in Celsius or Fahrenheit
Dynamic compressor cooling	Ensures evenly cooled interior for proper storage
Reversible door	User-reversible door swing in double pane tempered glass for best protection from UV light
Slide-out wooden shelves	Store bottles safely in classic style
Tilted wine rack	Unique design lets you stand bottles at an angle to display the label
Open door alarm	Sounds after door is left open for over a minute to best prevent accidents
Interior light	Can be set for showcase mode, remaining on until manually turned off, or functional model (turning on when the door is opened and off when it is closed)
Temperature alarm	Alarm sounds off when unit's interior rises or falls out of the set range



## VC60D Specifications:

Overview	
Height to Cabinet	34.88"
Width	23.25"
Depth	22.0"
Depth with Handle	23.75"
Depth with door at 90°	44.63"
Bottles	59 bottles
Defrost Type	Automatic
Door	Glass
Cabinet	Unfinished
US Electrical Safety	ETL
Canadian Electrical Safety	ETL-C
Amps	2.0
Voltage/Frequency	115 V AC/60 Hz
Weight	110.0 lbs.
Parts & Labor Warranty	1 Year
Compressor Warranty	5 Years
Wine Cellar	
Number of Zones	2
Door Swing	RHD
Reversible	Yes
Shelf Type	Wood
Shelf Qty	6
Thermostat Type	Digital
Interior Light	Yes
Fan Type	Interior
Refrigerant Type	R134a
Refrigerant Amount	2.05 oz.
High Side PSI	270.0
Low Side PSI	105.0
Interior Height 1	12.25"
Interior Width 1	18.25"
Interior Depth 1	15.0"
Compressor Step Height	7.5"
Compressor Step Width	18.25"
Compressor Step Depth	3.5"
Interior Height 2	15.5"
Interior Width 2	18.25"

Interior Depth 2



SUMMIT APPLIANCE DIVISION FELIX STORCH, INC.

770 Garrison Avenue, Bronx, NY 10474 USA TEL 718-893-3900 FAX 844-478-8799

info@summitappliance.com

www.summitappliance.com