



MICROWAVE OVEN

Viking Professional – VMOS

PROFESSIONAL FEATURES

- 13 Sensor settings - sensor adjusts cooking times and power levels for a variety of foods and quantities
- Breakfast and Lunch options for cooking and re-heating popular food items
- 15 Minute Dinners and Preset Recipes each offer 5 recipes with easy-to-follow steps
- Add-A-Minute allows a minute of extra cooking time to be added with the touch of a button
- Warm/Hold feature allows food to be kept warm for up to 30 minutes
- Child Lock safety feature locks the control panel to prevent unwanted operation

SPACIOUS OVEN CAVITY

- 2.0 cubic ft. (56.6 liters) oven capacity
 - 17-3/8"W. x 10-1/2"H. x 18-5/8"D.
- 16" (40.6 cm) diameter turntable
- Interior light

INSTALLATION OPTION

- Place on countertop or install as a built-in using the optional trim kit accessory
- Built-in trim kits designed to match corresponding ovens and warming drawers (sold separately)
 - Available in 27", 30", and 36" widths
- Install flush to the cabinet with Flush Mount Installation Kit accessory (for use with all built-in trim kits)



MODEL NUMBERS

- VMOS201 – Conventional Microwave

ACCESSORIES

- VMTK272SS – 27"W. Built-In Trim Kit
- VMTK302SS – 30"W. Built-In Trim Kit
- PMF302TKSS – 30"W. Flush Mount Trim Kit

COLOR FINISHES

- Available in Stainless Steel (SS), Black (BK), and White (WH)



WARRANTY

- 2-year full - complete product
- 90-day full - cosmetic parts such as glass, painted items and decorative items
- 5-year limited - magnetron tube

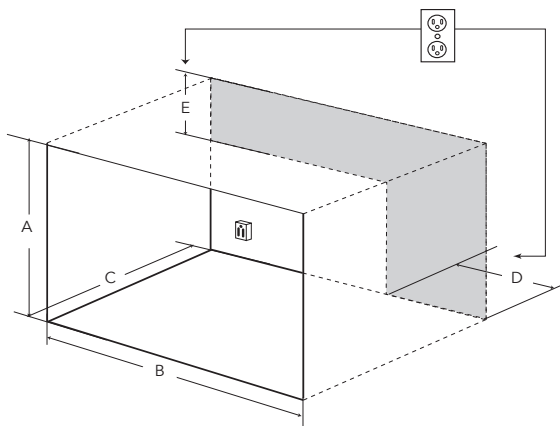


MICROWAVE OVEN

Viking Professional – VMOS

	MICROWAVE OVEN	27", 30", AND 36" WIDE TRIM KITS		
DESCRIPTION	VMOS201	VMTK272	VMTK302	VMTK362
Overall Width	24" (60.9 cm)	26-1/2" (67.3 cm)	29-1/2" (74.9 cm)	35-1/4" (89.5 cm)
Overall Height	13-3/8" (33.9 cm)	18-1/4" (46.3 cm)		
Overall Depth	19-1/4" (48.9 cm)	-		
Cutout Width	-	24-3/8" (61.9 cm) minimum; 24-11/16" (62.7 cm) maximum		
Cutout Height	-	16-3/4" (42.5 cm) minimum; 17" (43.2 cm) maximum		
Cutout Depth	-	20-1/8" (51.1 cm) minimum		
Electrical Requirements	120VAC/60Hz	-		
Maximum Amp Usage	1.5 kW, 13.0 amps	-		
Oven Interior Dimensions	Width – 17-3/8" (44.1 cm) Height – 10-1/2" (26.6 cm) Depth – 18-5/8" (47.3 cm) Overall Size – 2.0 cu. ft.	-		
Approximate Shipping Weight	46 lb. (20.9 kg)	14 lb. (6.5 kg)	15 lb. (6.9 kg)	18 lb. (8.2 kg)

Please do not prepare installation from brochure data only. See installation instructions for important clearance/installation information.



	Conventional
A (Height)	Min. 16-3/4" (42.5 cm) Max. 17" (43.2 cm)
B (Width)	Min. 24-3/8" (61.9 cm) Max. 24-11/16" (62.7 cm)
C (Depth)	Min. 20-1/8" (51.1 cm)
D	-
E	-



VIKING RANGE, LLC 111 FRONT STREET GREENWOOD, MISSISSIPPI 38930 USA

For detailed product information, model numbers, or to request a quote call 1-888-845-4641 or visit vikingrange.com
© 2014 Viking Range, LLC All rights reserved. Specifications subject to change without notice.