



Designer Series Wall Mounted Hoods – Install Quick Specs WSB Series Hoods - 22" Depth

Installation Type & Discharge Direction

Wall – vertical or horizontal vented discharge –
indoor use only

Discharge Size off Hood Top or Rear

6" round (Vertical Discharge)

10" x 3 1/4" rectangular (Rear Discharge)

Standard Features

- 304 Series, 20 gauge stainless steel
- Halogen lighting (dual 35 watt lamps) with Hi/Lo setting
- Electro-mechanical control, with 3 blower settings
- Commercial-grade, high luster stainless steel baffle filters – dishwasher safe
- 600 CFM internal blower – **included**
- Widths: 30" and 36"

Finishes

- Stainless Steel (S), White (W)
- Stainless Steel with Polished Chrome Accents (SPC)

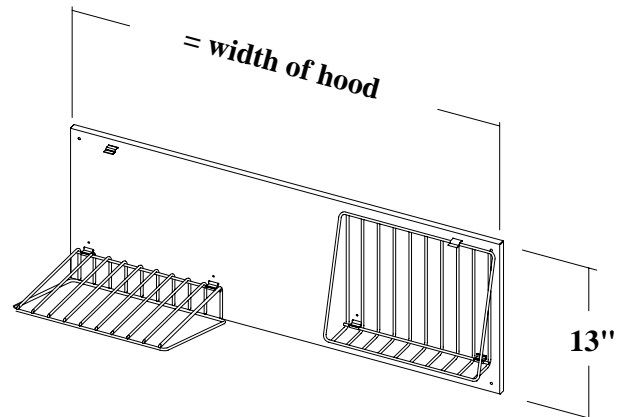
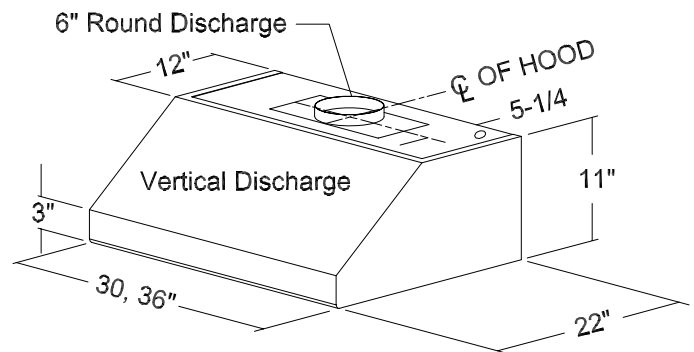
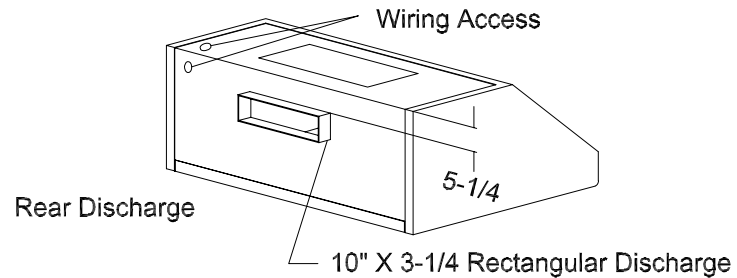
Optional Accessories:

- 250 Watt Heat Lamp Kit (WSCB30HLKIT or WSCB36HKIT) - bulbs not included
- "CE" 6 or 12-inch Canopy Extensions
- Stainless Steel Back Splash with drop-down chrome racks supports a maximum of 30 lbs. (BS plus width – Model: BS30)
- Dual Blower Kit for 1100 CFM (VEN110I) includes (1) 600 CFM blower, mounting brackets & necessary wiring. *Note: For use in the WSB or WCB models only.*

Hood Carton Weight:

WSB302 = 49 lbs.

WSB362 = 56 lbs.



"BS" Warming Shelf Accessory with Chrome Racks



Designer Series Wall Mounted Hoods – Install Quick Specs WSB Series Hoods - 22” Depth

Maximum Power Supply Required*

15 Amps @ 120 V AC, 60 Hz

**Electrical rating is maximum required for any combination of lighting and heat lamp kit.*

Hood Lighting Rating

- 30” and 36” widths: 75 watts w/halogen lights or 575 watts w/halogen + heat lamps

Ventilator Options

- 600 CFM, Internal Blower: **Included**
- Dual Blower Upgrade Kit (Some restrictions apply. Refer to Installation Instructions).

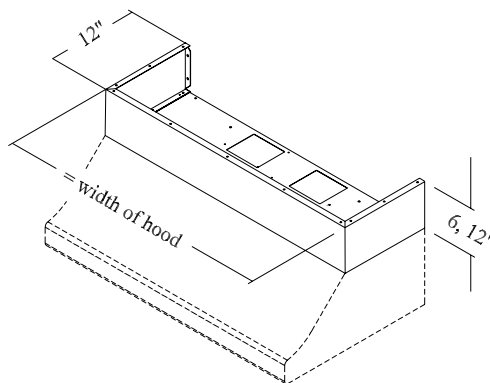
CUSTOMER SPECIFICATION:

Hood Width Specified & finish: (e.g. WSB302S)

Add Special Edge Finish to Stainless

Models: (e.g. WSB362SSPC)

Accessories Selected: (e.g. Back splash with racks, Heat Lamp Kit, Canopy Extensions)



**“CE” Canopy Extensions (6” or 12” height)
for WSB hoods**