



Wall Mounted Hoods – Install Quick Specs WSX Series Hoods - 27" Depth

Installation Type & Discharge Direction

Wall – top or rear discharge

Discharge Size (depends on blower)

Rectangular to 8" or 10" round, depending on Ventilator and hood transition used.

Discharge Transition – purchased separately

See "Ventilation" section for options

Standard Features

- 304 Series, 18 gauge stainless steel
- Halogen lighting (dual 50 watt lamps 30" to 48" widths/four 50 watt lamps 54" or greater widths) with Hi/Lo setting
- Commercial-grade, high luster stainless steel baffle filters
- All Stainless Steel Finish Hoods can be installed Indoors or Outdoors (see Installation Instructions)
- Widths: 30" to 60" in 6" increments

Finishes

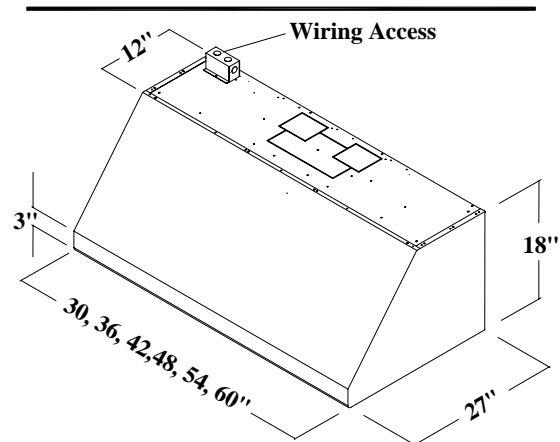
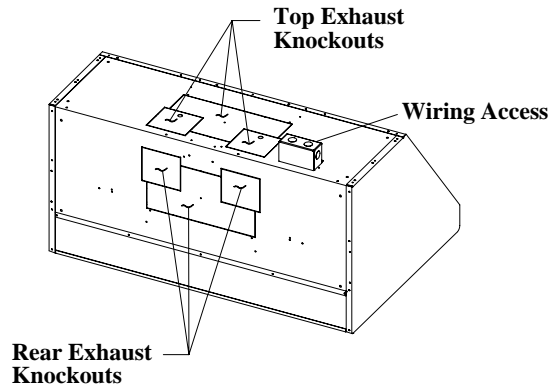
- Stainless Steel (S)
- Stainless Steel with Polished Chrome Accents (SPC)

Optional Upgrades

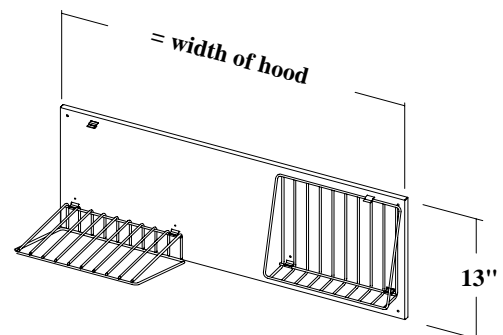
- 250 Watt Heat Lamp Fixtures (add "H" to hood model number) e.g. WSX307SH
- 6" or 12" Canopy Extensions in matching finish (Models: 6CE30S or 12CE30S for 30" wide hood in stainless steel finish).
NOTE: Specify desired canopy height, width and finish when ordering.
- Chrome or Brass Rolled Pot Rails (Models: ACCBRC or ACCBRB) – *indoor use only, installed by factory.*
- Stainless Steel Back Splash with drop-down chrome racks supports a maximum of 30 lbs. (BS plus width – e.g. BS30)

Hood Carton Weight:

WSX307 = 73 lbs. WSX487 = 100 lbs.
WSX367 = 81 lbs. WSX547 = 110 lbs.
WSX427 = 88 lbs. WSX607 = 120 lbs.



WSX Hoods



"BS" Warming Shelf Accessory with Chrome Racks



**Wall Mounted Hoods – Install Quick Specs
WSX Series Hoods - 27” Depth (cont.)**

Maximum Power Supply Required*

15 Amps @ 120 V AC, 60 Hz
20 Amps @ 120 V AC, 60 Hz (when used with VEN150E remote ventilator)

**Electrical rating is based on any combination of ventilator and lighting option selected.*

Outdoor Electrical Requirements

Damp outdoor installations require a fault interrupter circuit connection.

Hood Lighting Rating

- 30” to 48” widths: 100 watts w/halogen lights or 600 watts w/halogen + heat lamps
- 54” and 60” widths: 200 watts w/halogen lights or 700 watts w/halogen + heat lamps

Ventilator Options

640 CFM, Internal Blower: VEN060I
1200 CFM, Internal Blower: VEN120I**
1000 CFM, Remote Blower: VEN100E
1500 CFM, Remote Blower: VEN150E

***The VEN120I blower works in all WSX hoods that are 36-inches or wider.*

Ventilator Only Ratings

VEN060I: 1.6 Amps @ 120 V AC, 60 Hz
VEN120I: 5.1 Amps @ 120 V AC, 60 Hz
VEN100E: 6.2 Amps @ 120 V AC, 60 Hz
VEN150E: 10.7 Amps @ 120 V AC, 60 Hz

Ventilator Dimensions & Accessory Transitions (see Ventilator section)

CUSTOMER SPECIFICATION:

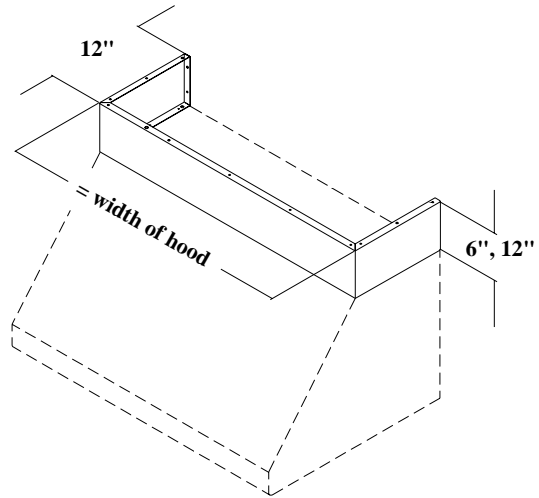
Hood Width Specified & finish:

(e.g. WSX307S)

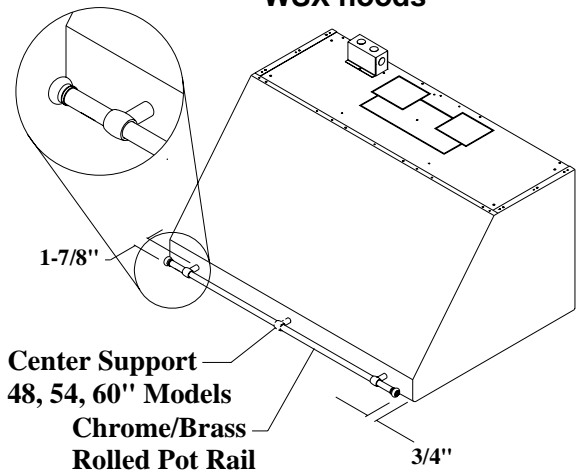
Add Keep Hot Lamps: (e.g. WSX307SH)

Add Special Edge Finish to Stainless Models: (i.e. WSX307SHSPC)

Accessories Selected: (e.g. Back splash with racks, chrome or brass rails, canopy extensions)



“CE” Canopy Extensions (6” or 12” height) for WSX hoods



Final Hood Model Selected:

Add Any Accessories:

Specify Ventilator Selected & Transitions:



Internally Mounted Ventilators – Install Quick Specs VEN120I

Installation Type & Discharge Direction

Mounted inside hood canopy. Can be mounted for vertical or horizontal discharge, **depending on the hood specified (see individual hood specifications)**

CFM Rating

1200 CFM – Dual Blower

Minimum Duct Size

10" round

Maximum Equivalent Straight 10" Diameter Duct Length

50 feet

Equivalent Straight Lengths

- 1 foot of 8" duct = 2 foot
- 1 foot of 10" duct = 1 foot
- 1 foot of 3 1/4" x 14" rectangular = 3 foot
- 8" round 90 degree Elbow = 10 feet
- 10" round 90 degree Elbow = 3 feet
- Wall or Roof Cap = 2 feet

Standard Features

- Adaptable to all "X" Series Wind Crest hoods
- Anti-rust, jet-coated steel construction
- Thermally protected, permanently lubricated motor
- Dynamically balanced 5 1/2" diameter blower wheel
- Neoprene resilient anti-vibration mounted
- Low RPM for very quiet performance

Ventilator Motor Ratings*

Hoods without Heat Lamps:

7.2 Amps @ 120 V AC, 60 Hz

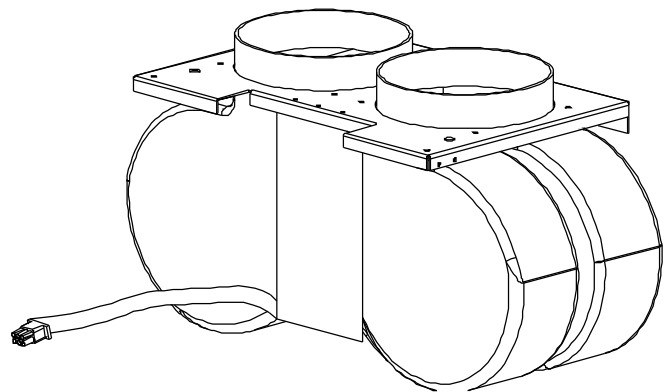
Hoods with Heat Lamps:

11.4 Amps @ 120 V AC, 60 Hz

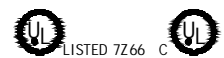
*For maximum power supply required, refer to hood series selected.

Ventilator Carton Weight:

VEN120I = 27 lbs.



VEN120I



When installed in Wind Crest hoods