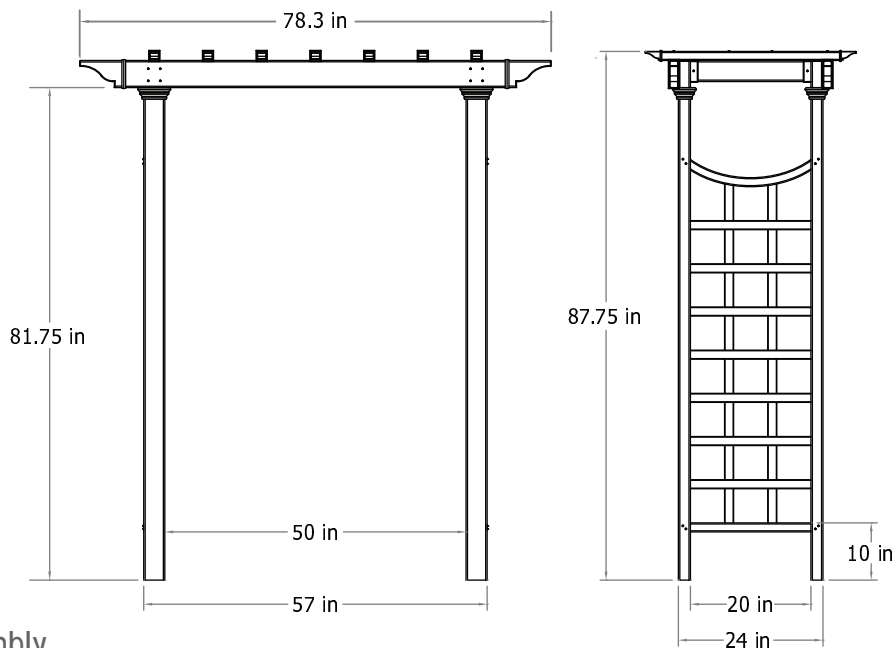
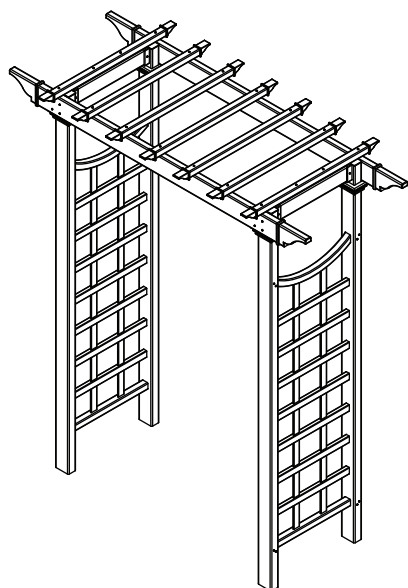


ASSEMBLY INSTRUCTIONS

Eden[™]

Enduring Garden Architecture
www.edenarbors.com

The Westhaven Arbor



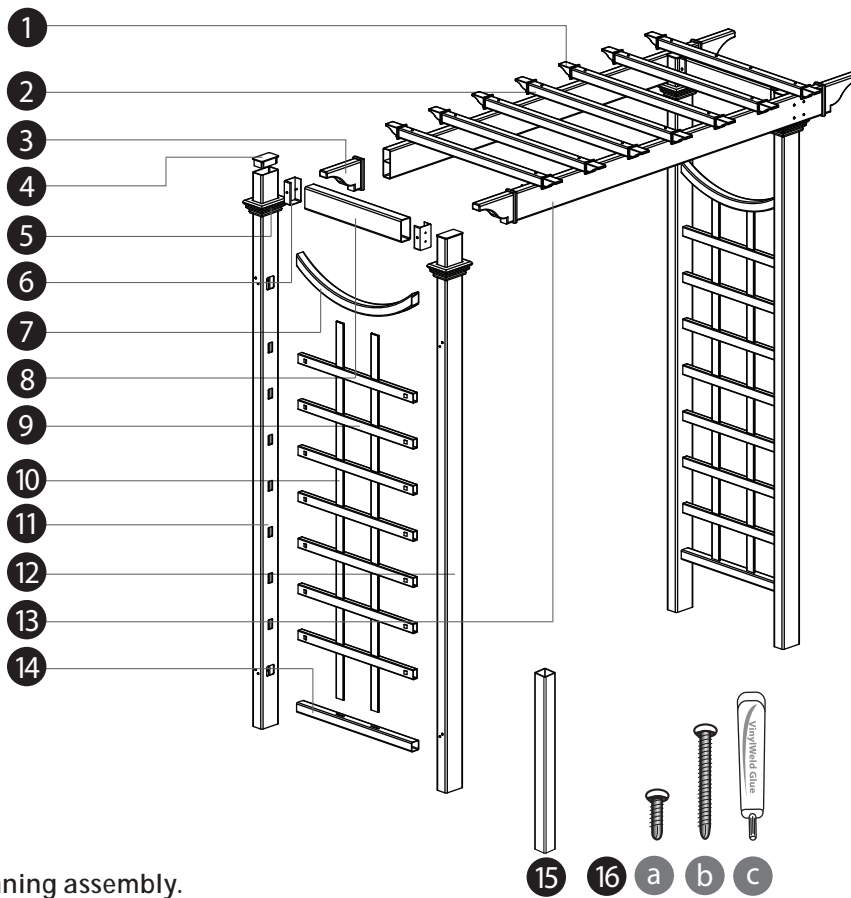
Please read through before starting assembly.

IMPORTANT: CHECK THE INSIDE OF YOUR POSTS FOR ALL MATERIALS.

Check Box for These Contents

In the event of missing or defective parts please call our customer service dept. at **1 800 282 9346, ext #20** (Mon. to Fri. 8:00 AM to 4:00 PM EST).

1. Pergola Filter end caps (14)
2. Pergola Filters (7)
3. Pergola Beam end caps (4)
4. Post insert caps (4)
5. Post trim (4)
6. Brace Bracket (4)
7. Side Panel Top Curved-Rails (2)
8. Braces (2)
9. Side Panel Horizontal Mid-Rails (14)
10. Side Panel Vertical Spindles (4)
11. Right Posts (2)
12. Left Posts (2)
13. Beams (2)
14. Side Panel Horizontal Bottom Rails (2)
15. Mounting Stakes (4)
16. Hardware (in plastic bag)
 - a) 5/8" Self-Auguring Stainless Steel Screws (8)
 - b) 3" Self-Auguring Stainless Steel Screws (64)
 - c) Tube of Vinyl Glue (1)



Tools You Will Need

- Cordless Drill
- Level
- Hammer
- Stool or Short Ladder
- Tape Measure
- Shovel

General Information

- Read Instructions through carefully before beginning assembly.
- When assembling components, place on a non-abrasive surface (i.e. shipping box) to avoid scratching.
- We recommend an area approx 10'x 8' for unobstructed assembling.
- You should not need to use excessive force when assembling components.

Not to Scale

Ver 2.1/NOV 2011

STEP THREE

Connect Filters and Pergola Ends

1

Fasten the seven filters with the screws provided, aligning them to the pre-drilled holes on top of the beams as shown.

2

Apply a small amount of glue to the pergola ends for both the filters and beams as shown. ensure proper orientation of the pergola ends. Allow a few minutes for vinyl glue to cure.

3

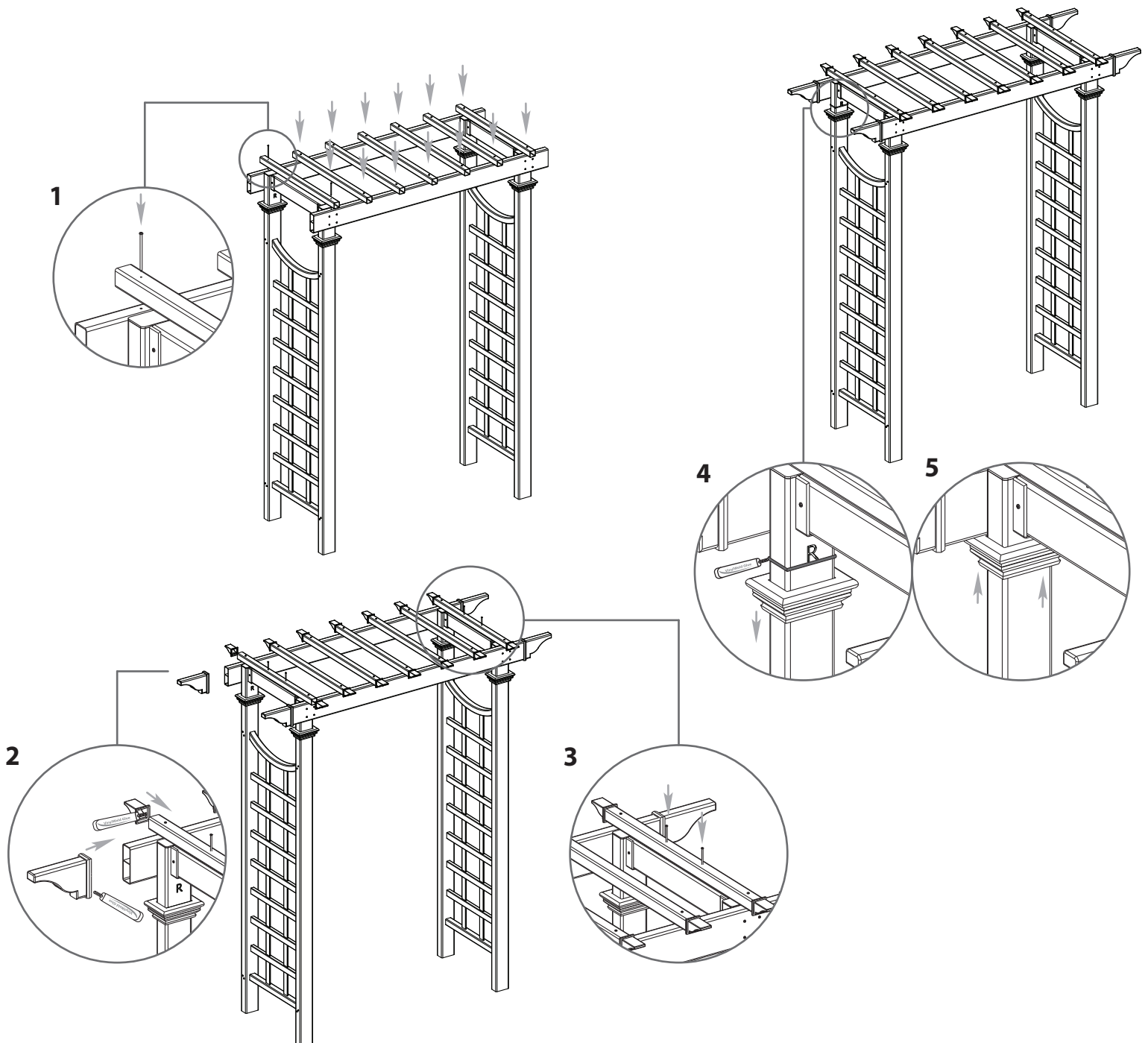
For added stability, fasten two-3" screws on top of each end filters into the braces as shown.

4

To secure post trim into place, apply a generous amount of vinyl weld onto the perimeter of the posts as shown.

5

Proceed to slide the post trim up the post to the desired location and allow a few minutes for the vinyl glue to set and cure.



STEP FIVE

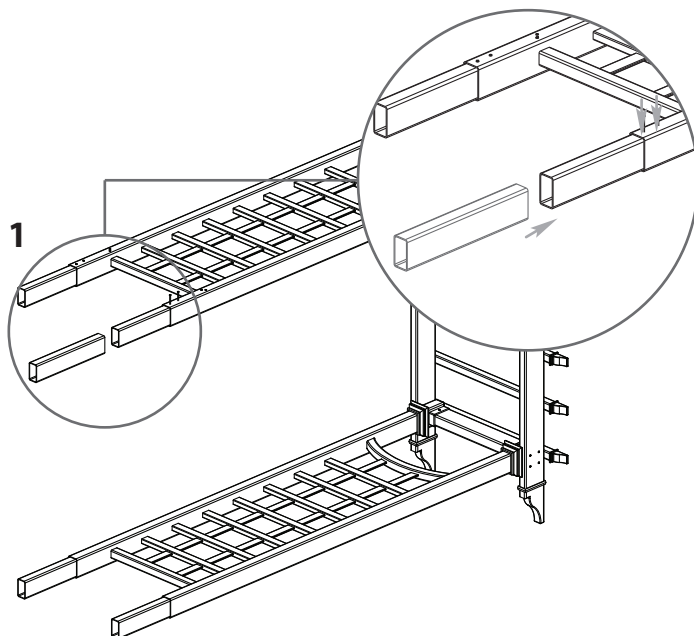
Arbor Installation

Arbors must be well secured to prevent tipping over from wind load etc. We have provided four ground anchors for securing the arbor either into the ground or a concrete footing. In some cases it may be acceptable to secure the arbor to an existing structure such as a fence post. If you are installing your arbor on concrete or a deck, see your hardware store for the appropriate galvanized bracketing hardware.

Ground Stakes Installation

1

Slide the four ground anchoring stakes into the bottom of each posts approximately 4 inches and secure with two 3" screws provided as shown.



A Into Earth With Concrete Footing

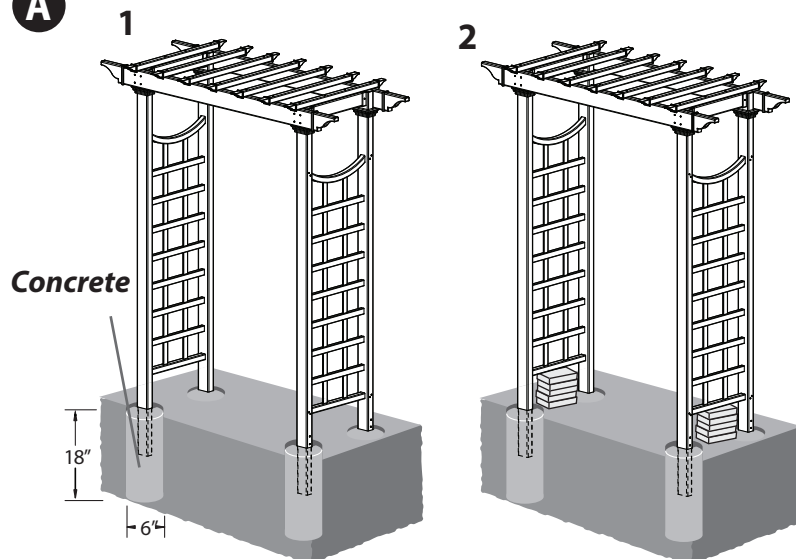
1

Complete A #1 above, with the exception of excavating the holes at least 6" wide x 18" deep. Fill holes with wet cement within 3" of your grade (you will need 2 bags of pre-mix concrete - purchase separately). Carefully move the arbor back into position.

2

Support the arbor plumb and level over the holes with bricks, stones or blocks of wood under the bottom rail of the side panel. The post bottoms should insert themselves approx 1/2" into the concrete.

A



B Into Earth Without Concrete Footing

1

Move the arbor to its final location (you will need a helper). When you are satisfied with the location, mark the positions of the posts, then move the arbor aside and lay it carefully on it's side. Excavate 4 holes approx 12" deep. Carefully move the arbor back into position and level it both vertically and horizontally.

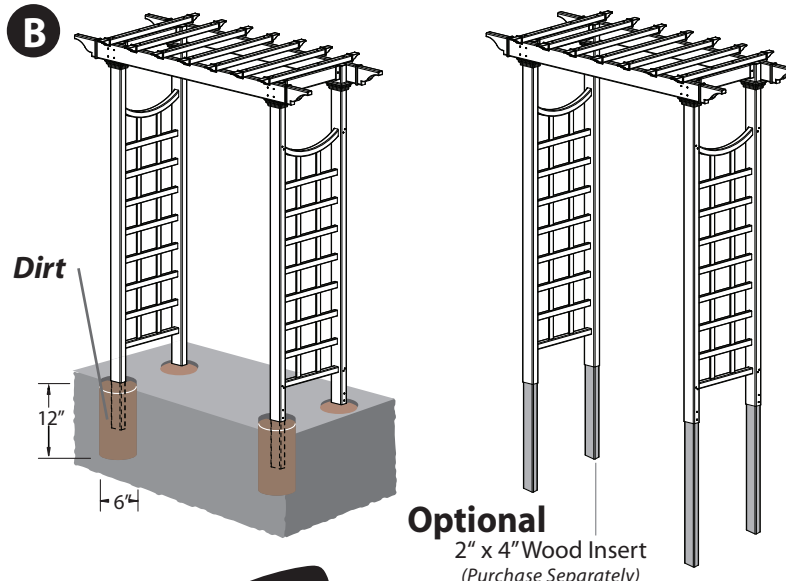
2

Backfill the holes with the excavated soil to cover the anchors.

Optional

If you plan on attaching a fence or bench to the arbor, or in the event of extreme wind conditions we would not recommend using the ground anchors provided. Consider purchasing pressure treated 2x4 lumber and trimming it down to **3 1/4 wide** and cutting it into 36" lengths. Insert into the bottom of all four posts until they hit the bottom horizontal rail on the side panel. Fasten accordingly with screws and install either directly into the ground or into a concrete footing.

B



Optional
2" x 4" Wood Insert
(Purchase Separately)

Eden™

Enduring Garden Architecture