

**DO NOT RETURN TO STORE!**



**CALL US FIRST**

For immediate help with installation, product information or if your product arrives damaged, please call our toll free number at:

**602-344-4840**

(Monday - Friday, 8:00AM - 5:00PM, AZ Mountain Time)

Or email us at:

**customerservice@wildfireoutdoorliving.com**

**OUR STAFF IS READY TO PROVIDE ASSISTANCE**

**RPG BRANDS**

RPG BRANDS FAMILY OF COMPANIES



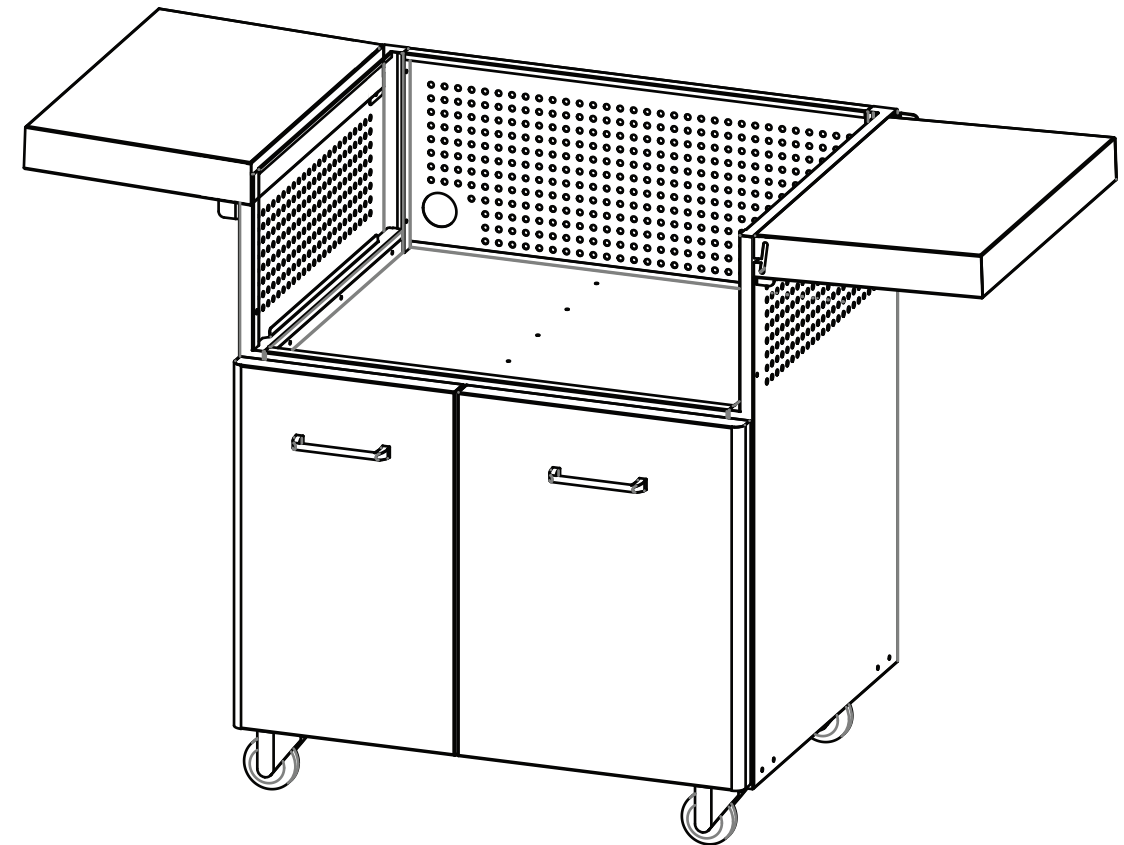
Copyright © 2022 RPG Brands (Wildfire Outdoor Living). All rights reserved. Products and specifications subject to change without notice. The product images shown are for illustration purposes only and may not be an exact representation of the product.



Stainless Steel Cart - Griddle

# Instructional Guide

Outdoor Cart



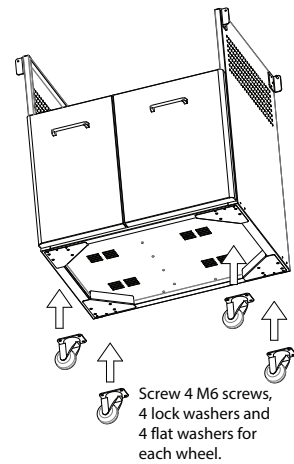
AFFIX SERIAL NUMBER LABEL HERE

WF-CART30-CG

**FOR OUTDOOR USE ONLY**

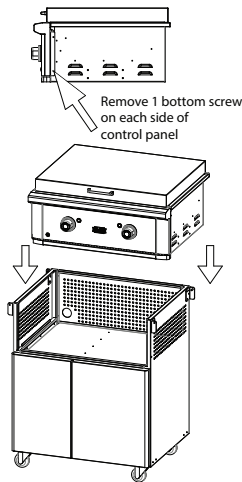
# WF-CART30-CG

**STEP 1**  
Attach wheels to cart.  
Wheels with brakes  
in the front.



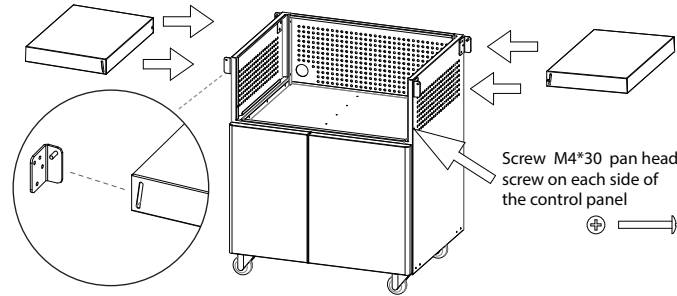
Screw 4 M6 screws,  
4 lock washers and  
4 flat washers for  
each wheel.

**STEP 2**  
Place head in cart.



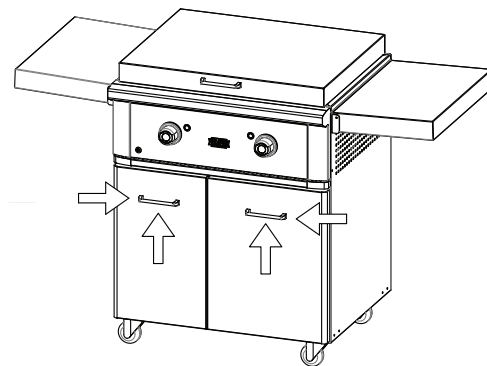
Remove 1 bottom screw  
on each side of  
control panel

**STEP 3**  
Attach side shelves.



Screw M4\*30 pan head  
screw on each side of  
the control panel

**STEP 4**  
Attach door handles.



# WF-CART30-CG - Parts List

Griddle Cart Parts Listing		
No.	Name	Qty
1	Left and Right Side Shelf	2
2	Cable Holder	1
3	Left Side Shelf Bracket	2
4	Right Side Shelf Bracket	2
5	Left Side Plate Fixture	2
6	Right Side Plate Fixture	2
7	Partition Panel	1
8	Rear Panel	1
9	Left Side Panel	1
10	Middle Panel	1
11	Left Rails	2
12	Right Rails	2

Griddle Cart Parts Listing		
No.	Name	Qty
13	Right Side Panel	1
14	Bottom Shelf	1
15	Handles Screws	4
16	Access Door Handle	2
17	Front Supporting Bar	1
18	Left Side Drawer	1
19	Right Side Drawer (Tank Holder)	1
20	Cart Wheels	4
21	Wheel Fixture (Left Side)	2
22	Wheel Fixture (Right Side)	2
23	Wheel Reinforcing Plate (Left Side)	2
24	Wheel Reinforcing Plate (Right Side)	2

# WF-CART30-CG - Exploded Parts View

