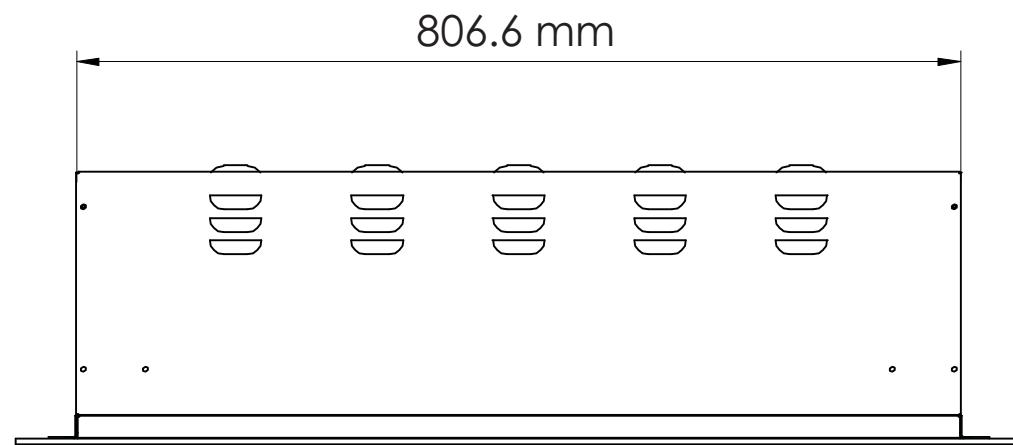
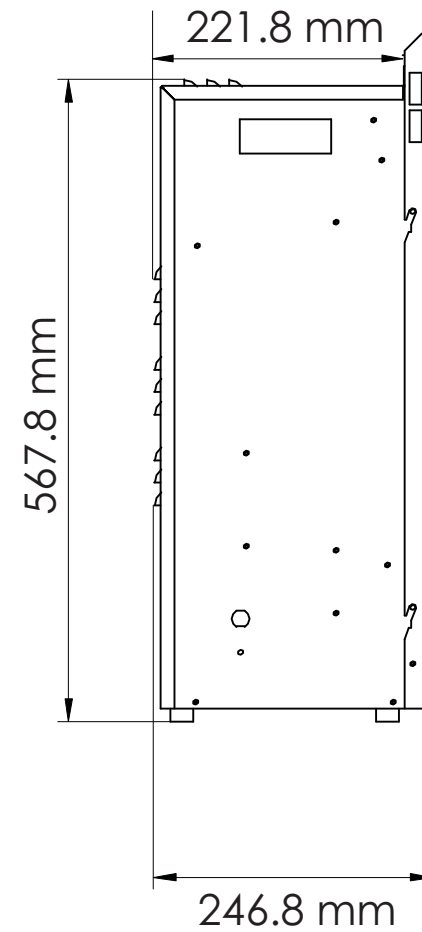
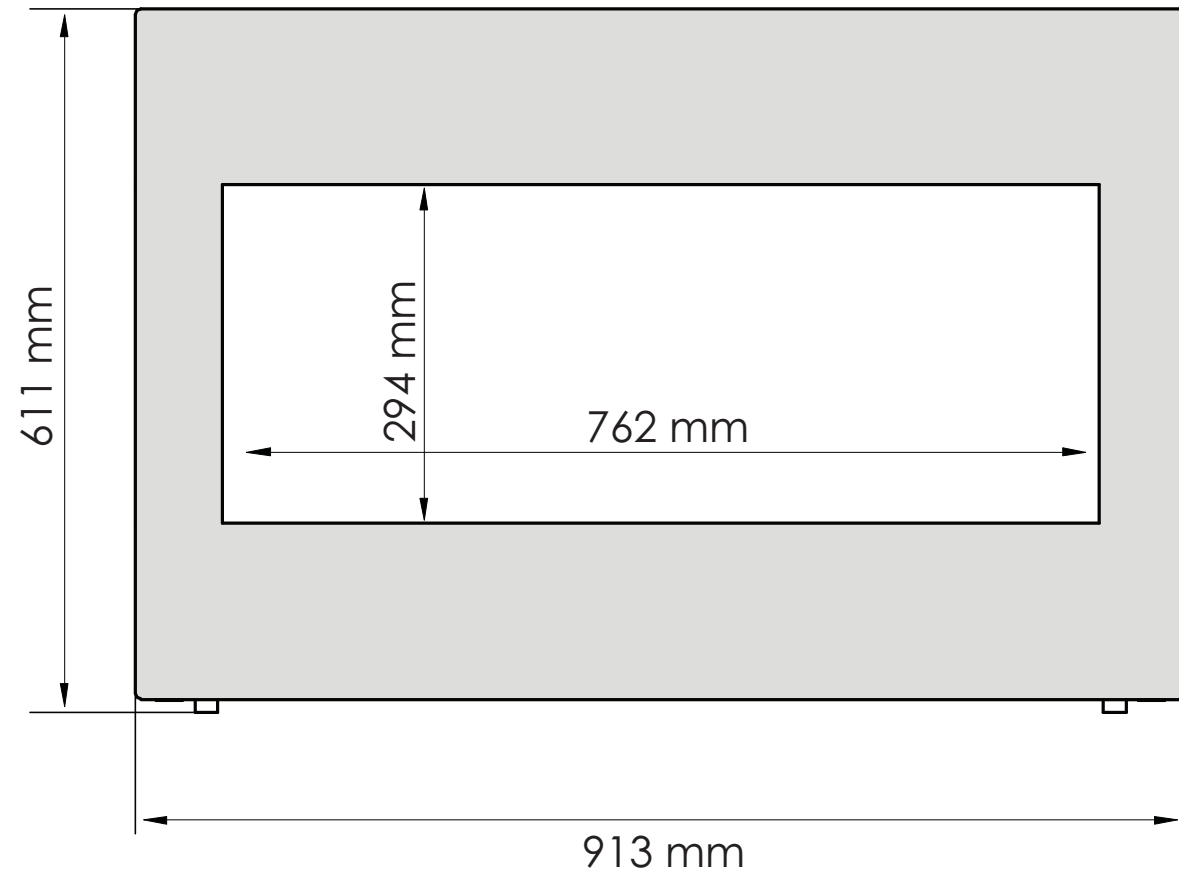


TECHNICAL SPECIFICATIONS		
VOLTS	120	
AMPS	12.5	
WATTS	1500	
HEATER	HIGH	1500 watts
	LOW	750 watts
NO HEATER	22 watts	
LAMPS	QUANTITY	LED
	WATTS	
	TOTAL WATTS	22 watts
ROTOR MOTOR	1 at 5 watts	
HEIGHT, WIDTH, DEPTH	22 1/4 x 31 3/4 x 8 1/2	
GLASS VIEWING OPENING	30 x 11 1/2	
GLASS SIZE	36 x 24	
SHIPPING SIZE	26 x 38 1/4 x 12 1/4	
SHIPPING WEIGHT	UNIT	66 lbs
	GLASS FRONT	Included
PLUG LOCATION	Left Side	
CORD LENGTH	76"	
APPROX. HEATING AREA	400 sq ft	




SERIES ZERO CLEARANCE	MODEL ZECL-33-3624		REV 1
SCALE 1" = 1'-0"	DATE: 10/28/12	SHEET 1 OF 1	



TECHNICAL SPECIFICATIONS		
VOLTS	120	
AMPS	12.5	
WATTS	1500	
HEATER	HIGH	1500 watts
	LOW	750 watts
NO HEATER	22 watts	
LAMPS	QUANTITY	LED
	WATTS	
	TOTAL WATTS	22 watts
ROTOR MOTOR	1 at 5 watts	
HEIGHT, WIDTH, DEPTH	56.8 x 80.7 x 22.2 cm	
GLASS VIEWING OPENING	76.2 x 29.4 cm	
GLASS SIZE	91.3 x 61.1 cm	
SHIPPING SIZE	66.1 x 97 x 31 cm	
SHIPPING WEIGHT	30 kg	
GLASS FRONT	UNIT	
		Included
PLUG LOCATION	Left Side	
CORD LENGTH	193 cm	
APPROX. HEATING AREA	37 sqm	



SERIES ZERO CLEARANCE	MODEL ZECL-33-3624		REV 1
SCALE 1:12	DATE: 10/28/12		SHEET 1 OF 1