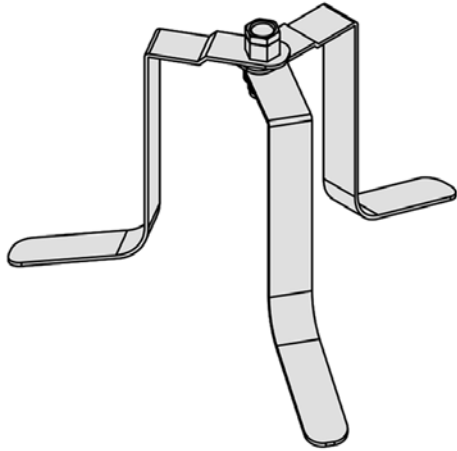
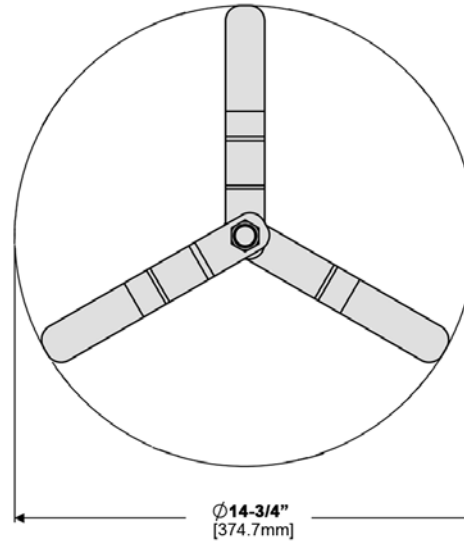


A10-650 ON-SHORE LEG STAND

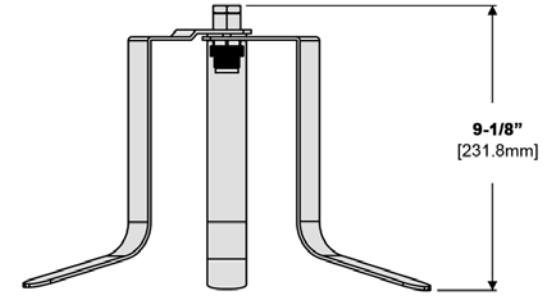
Mount Weight 1.74 lbs.
(.79 kg)



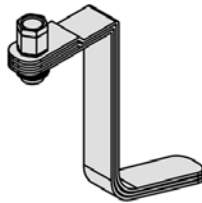
OPEN



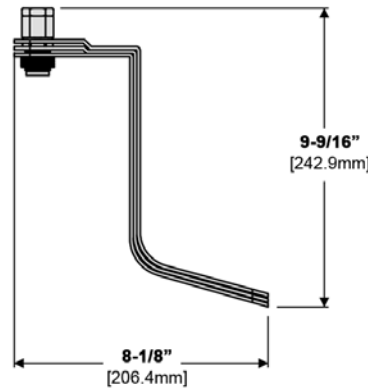
TOP VIEW



SIDE VIEW

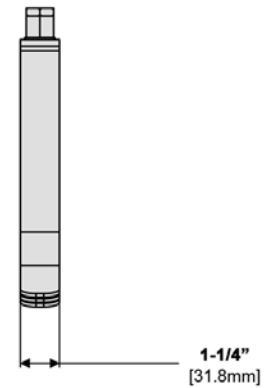


CLOSED



9-9/16"
[242.9mm]

8-1/8"
[206.4mm]



1-1/4"
[31.8mm]

MAGMA
USA

MAGMA PRODUCTS, INC.
3940 Pixie Ave. • Lakewood, CA 90712
Tel: (562) 627-0500
MagmaProducts.com
Mail@MagmaProducts.com