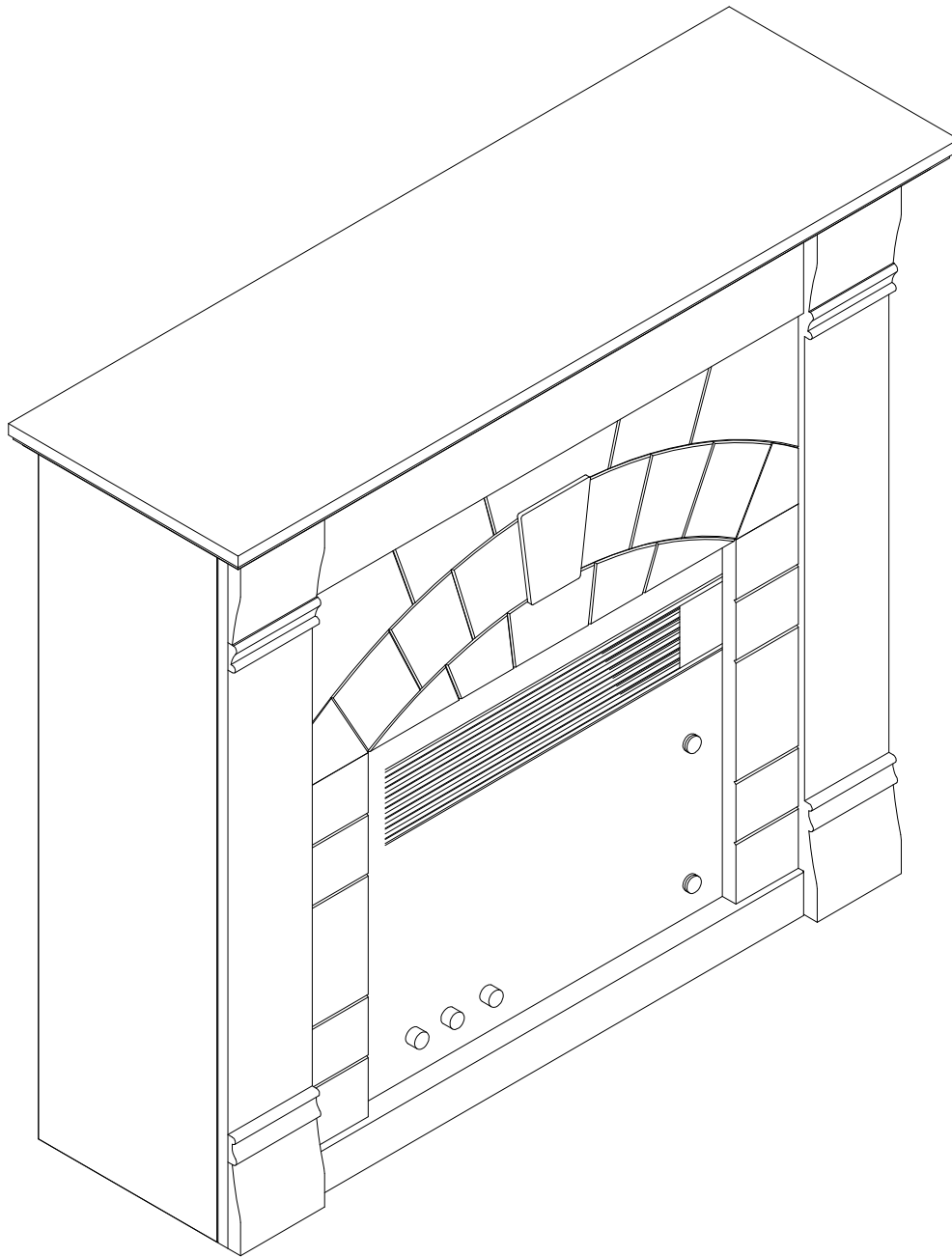


**"ELKMONT" FIREPLACE  
FA928200TX-SALEM ANTIQUE OAK  
ASSEMBLY INSTRUCTION**



For assistance with assembly contact:  
Southern Enterprises Inc.  
Customer Service 1-800-633-5096  
[service@seidal.com](mailto:service@seidal.com)  
[www.seidal.com](http://www.seidal.com)



# "ELKMONT" FIREPLACE Parts List

Please review all parts and hardware before disposing of any packaging. Call Customer Service if missing hardware. Do not return to store/retailer. Screws shown in actual size. Using a screw that is too long will cause damage. Before beginning assembly, separate each type of screw. Carefully study the screw diagrams below. You may receive extra hardware with your unit

**A**

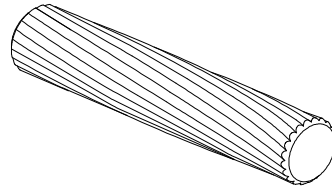
Quantity  
of 10



CAM BOLT

**B**

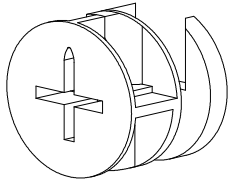
Quantity  
of 16



WOOD DOWEL

**C**

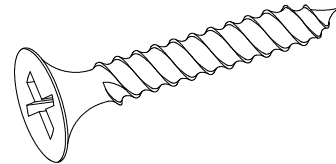
Quantity  
of 10



CAM LOCK

**D**

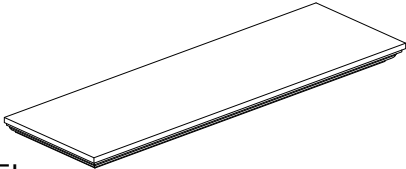
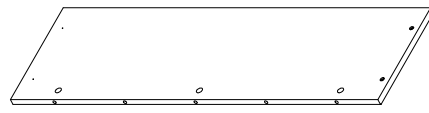
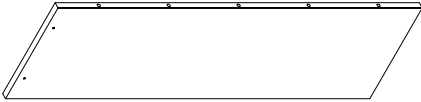
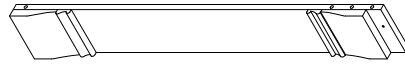

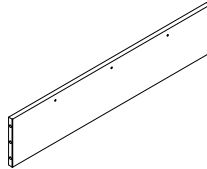
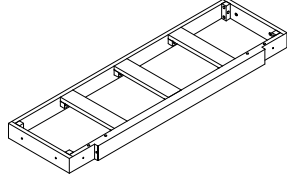
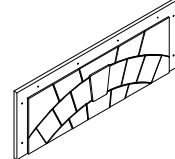
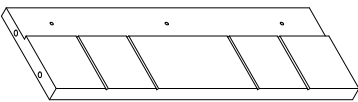
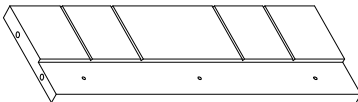
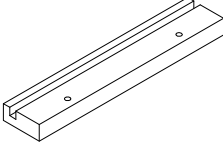
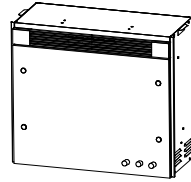
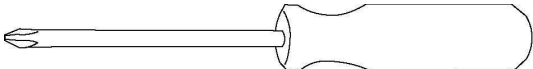
Quantity  
Of 33



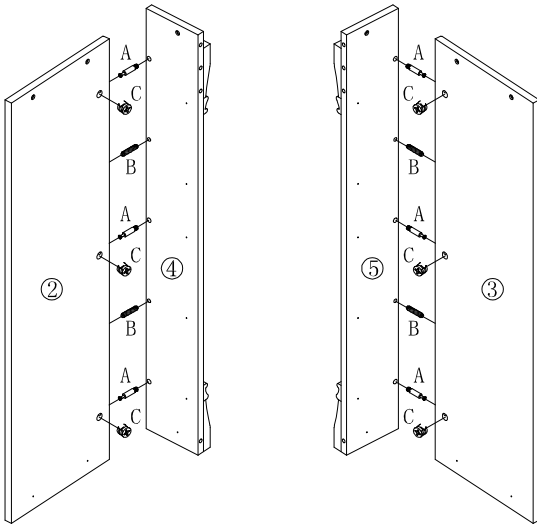
WOOD SCREW

# "ELKMONT" FIREPLACE Parts List

Please review all parts and hardware before disposing of any packaging. Call Customer Service if missing hardware. Do not return to store/retailer. Screws shown in actual size. Using a screw that is too long will cause damage. Before beginning assembly, separate each type of screw. Carefully study the screw diagrams below. You may receive extra hardware with your unit

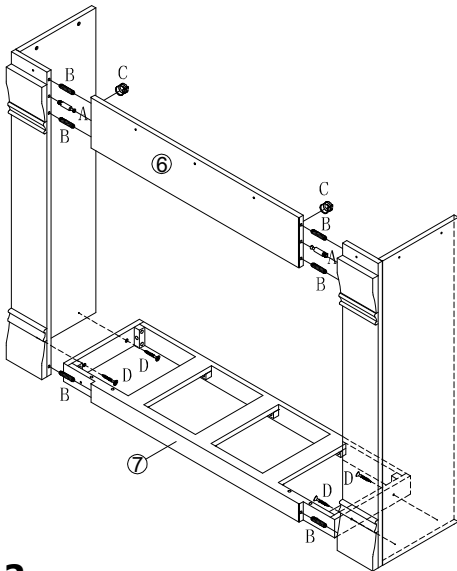
<p><b>(1)</b></p>  <p>Quantity of 1</p> <p>TOP PANEL</p>	<p><b>(2)</b></p>  <p>Quantity of 1</p> <p>LEFT SIDE PANE</p>
<p><b>(3)</b></p>  <p>Quantity of 1</p> <p>RIGHT SIDE PANEL</p>	<p><b>(4)</b></p>  <p>Quantity of 1</p> <p>LEFT FRONT PANEL</p>
<p><b>(5)</b></p>  <p>Quantity of 1</p> <p>RIGHT FRONT PANEL</p>	<p><b>(6)</b></p>  <p>Quantity of 1</p> <p>MIDDLE FRONT PANEL</p>
<p><b>(7)</b></p>  <p>Quantity of 1</p> <p>Base</p>	<p><b>(8)</b></p>  <p>Quantity of 1</p> <p>MIDDLE UPPER FRONT PANEL</p>
<p><b>(9)</b></p>  <p>Quantity of 1</p> <p>MIDDLE LEFT FRONT PANEL</p>	<p><b>(10)</b></p>  <p>Quantity of 1</p> <p>MIDDLE RIGHT FRONT PANEL</p>
<p><b>(11)</b></p>  <p>Quantity of 2</p> <p>INSERT FIXED BAR</p>	<p><b>(12)</b></p>  <p>Quantity of 1</p> <p>INSERT</p>
<p><b>Care and Cleaning Instructions:</b> Before using, wipe with a clean, dry cloth. Periodically apply furniture wax to renew the finish . Avoid rubbing or scratching the surface with rough or abrasive objects. For replacement parts or questions, please</p>	<p>Call Customer Service at 1-800-633-5096 Do not return product to store, please call Manufacturer for assistance, questions or Parts.</p>
<p><b>Assembly Tool Required</b> <b>No.2 Phillips Screwdriver (Not Included)</b></p>	

# "ELKMONT" FIREPLACE Assembly Instructions



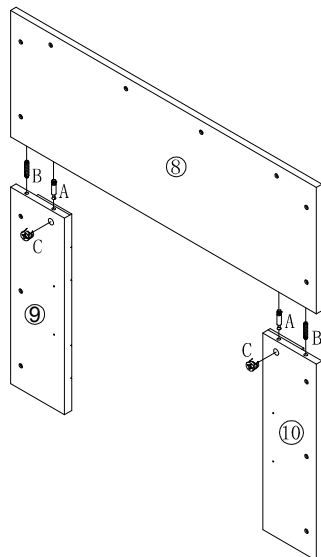
**Figure 1**

INSERT ( A ) CAM BOLT & ( B ) WOOD DOWEL TO THE RELATED HOLES OF ( 2 ) LEFT SIDE PANEL & ( 3 ) RIGHT SIDE PANEL, THEN USE ( C ) CAM LOCK TO CONNECT ( 2 ) LEFT SIDE PANEL & ( 4 ) LEFT FRONT PANEL , ( 3 ) & ( 5 ) CONNECT PLS DO THE SAME STEP AS ( 2 ) & ( 4 )



**Figure 2**

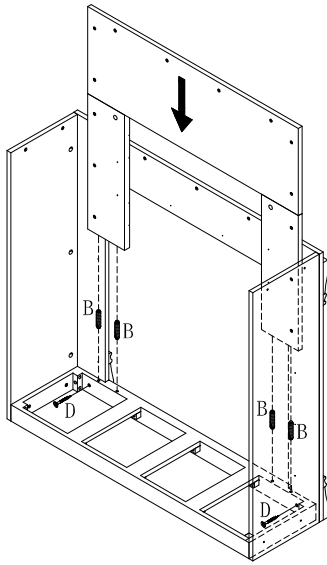
INSERT ( A ) CAM BOLT & ( B ) WOOD DOWEL INTO THE RELATED HOLES OF ( 4 ) LEFT FRONT PANEL, TO CONNECT ( 6 ) MIDDLE FRONT PANEL AND ( 7 ) Base. FINALLY INSERT ( D ) WOOD SCREW TO LOCK TIGHTLY.



**Figure 3**

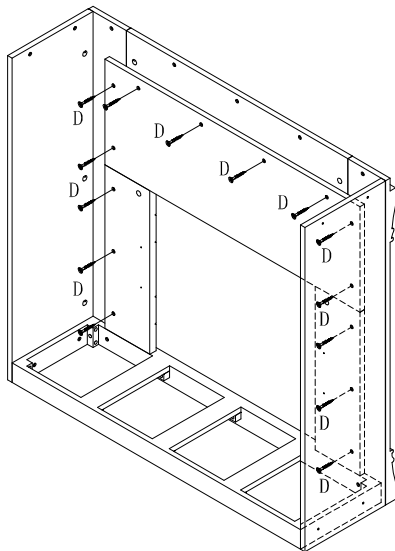
FIRST INSERT ( B ) WOOD DOWEL & ( A ) CAM BOLT INTO THE RELATED HOLES OF ( 8 ) UPPER FRONT PANEL , ( 9 ) LEFT BACK PANEL & ( 10 ) RIGHT BACK PANEL , THEN PUSH ( C ) CAM LOCK INTO THE RELATED HOLES OF ( 9 ) LEFT BACK PANEL & ( 10 ) RIGHT BACK PANEL . FINALLY USE SCREWDRIVER TO LOCK TIGHTLY.

# "ELKMONT" FIREPLACE Assembly Instructions



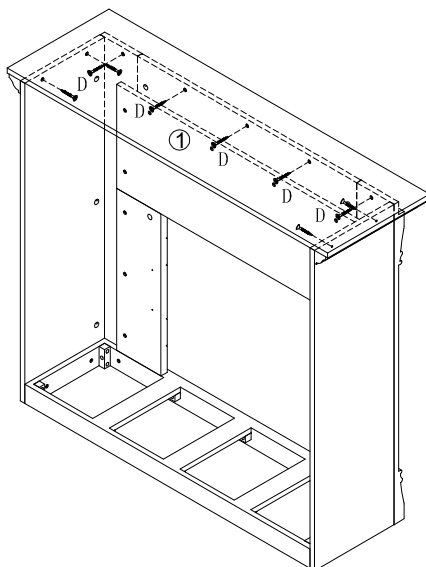
**Figure 4**

INSERT (B) WOOD DOWEL INTO THE RELATED HOLE OF (7) BASE ,AFTER ASSEMBLED FIGURE 3 ,THEN INERT IT INTO THE RELATED PLACE OF THE MAIN BODY THEN ISERT (D)WOOD SCREW TO THE RELATED HOLES TO CONECT (3) SIDE FRONT PANEL.FINALLY USE SCREWDRIVER TO LOCK TIGHTLY.



**Figure 5**

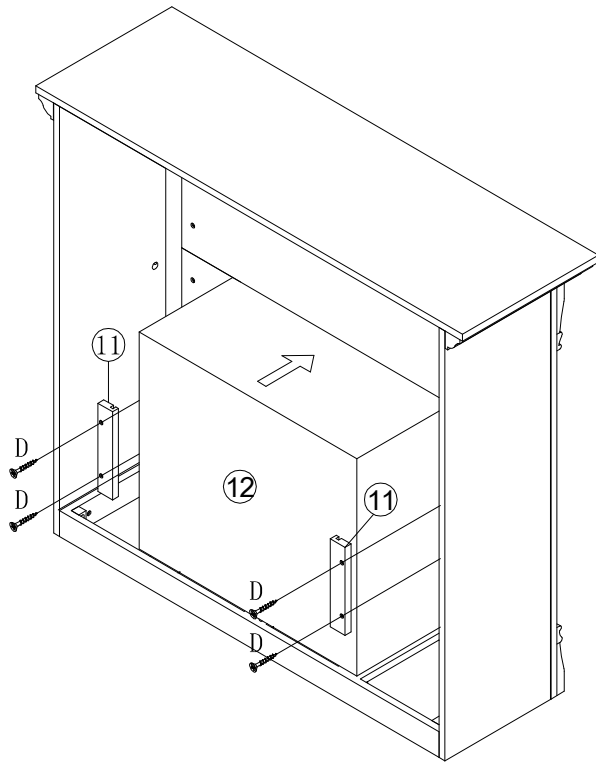
ATFER FINISHED FIGURE 4, INSERT (D)WOOD SCREW TO THE RELATED HOLES OF (8) UPPER FRONT PANEL , (9) LEFT BACK PANEL & (10) RIGHT BACK PANEL. FINALLY USE SCREWDRIVER TO LOCK TIGHTLY



**Figure 6**

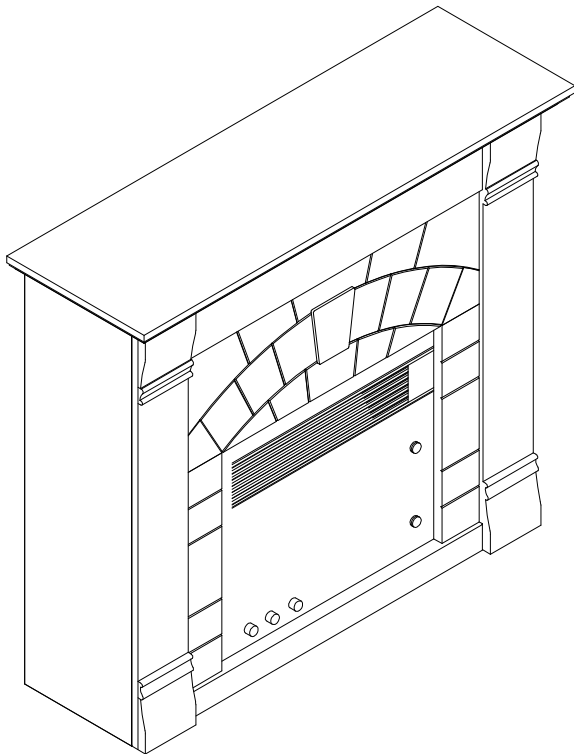
ATFER FINISHED FIGURE 5, PLS PUT THE TOP PANEL TO THE MAIN RELATED SPACE.THEN USE (D)WOOD SCREW TO LOCK TIGHTLY.

# "ELKMONT" FIREPLACE Assembly Instructions



PUSH (12) INSERT INTO THE RELATED SPACE OF THE BODY, THEN USE (11) INNER FIXED BAR TO LOCK TIGHTLY BY USE (D) WOOD SCREW.

**Figure 7**



**Figure 8**



Customer Service 1-800-633-5096

[service@seidal.com](mailto:service@seidal.com)

Southern Enterprises, Inc.  
600 Freeport Parkway, Suite 200  
Coppell, Texas, 75019

## FA928200TX - Parts Replacement Form

### Customer Information

Name \_\_\_\_\_

Address \_\_\_\_\_

City/State/Zip Code \_\_\_\_\_

Phone Number \_\_\_\_\_

Please indicate where you purchased this item: Store/Website/Catalog

\_\_\_\_\_

Please indicate color/size/style number:

Style No	Parts Letter	Parts Description	Quantity Needed
_____	_____	_____	_____
_____	_____	_____	_____
_____	_____	_____	_____

Missing or damaged hardware and/or parts will be replaced free of charge. We do not sell parts. Southern Enterprises Inc. will provide replacement parts for only those items purchased within the last 9 months. If this product has not been purchased from our retail affiliates (within 9 months), we are under no obligation to provide parts or replacement merchandise. Parts will not be available for items arriving fully assembled. Parts will be sent if available from SEI

Please contact Southern Enterprises at 800-633-5096 or in Dallas (972) 869-0111/ 9am – 4pm Mon-Fri Central time if you have product issues with your purchase. Please ask for a customer service representative for issues involving damages or replacement parts. Please ask for a technical assistance representative for any issues with product assembly and product construction.

Please contact the retailer that you purchased from for returns.

**We'd love to hear from you! Email us photos of our products in your home at [sei@seidal.com](mailto:sei@seidal.com) and we might feature it on our site or use it to model one of our inspirational photos**