

THE OUTDOOR PLUS

INNOVATORS IN OUTDOOR PRODUCTS AND COMPONENTS

FIRE AND WATER BOWL Installation Guide & Owners Manual



***READ THIS MANUAL BEFORE INSTALLATION OF THE UNIT**



WARNING:



Improper installation, adjustment, alteration, service, or maintenance can cause injury or property damage. Read the installation, operating, and maintenance instructions thoroughly before installing or servicing this equipment.



WARNING:



Do NOT Store or use gasoline or other flammable vapors and liquids in vicinity of this or any other appliance. An LP cylinder not connected for use shall not be stored in the vicinity of this or any other unit.

Installation: we suggest that our products be installed by professionals that are locally licensed by the authority having jurisdiction in gas piping

NATIONAL
FIREPLACE
INSTITUTE



CERTIFIED

We suggest that our products be serviced by a professional certified in the U.S. By the National Fireplace Institute as a NFI Specialist



**WARNING
FOR OUTDOOR USE ONLY**



CARBON MONOXIDE HAZARD

This appliance can produce carbon monoxide which has no odor. Using it in an enclosed space can kill you. Never use this appliance in an enclosed space such as a camper, tent car or home.



WARNING:



For use with Natural Gas or Liquid Propane ONLY
NO SOLID FUELS TO BE USED

Installation must conform with local codes or, in the absence of local codes, with the National Fuel Gas Code, ANSI Z223.1 / NFPA 54, or International Fuel Gas Code.

The appliance, when installed, must be electrically grounded in accordance with local codes or, in the absence of local codes, with the National Electric Code, ANSI/NFPA 70, if applicable.

TAMPERING, MANIPULATING, AND/OR ALTERATIONS TO THE UNIT WILL VOID THE WARRANTY IMMEDIATELY

TABLE OF CONTENTS

WATER ONLY BOWL	3
FIRE ONLY BOWL - MATCH LIT IGNITION	5
FIRE & WATER BOWL - MATCH LIT IGNITION	13
FIRE ONLY BOWL - ELECTRONIC IGNITION	21
FIRE & WATER BOWL - ELECTRONIC IGNITION	32
CLEARANCE FROM COMBUSTIBLES	44
WARRANTY	44

WATER ONLY BOWL INSTALLATION

***READ THIS MANUAL BEFORE INSTALLATION OF THE UNIT**



WARNING:



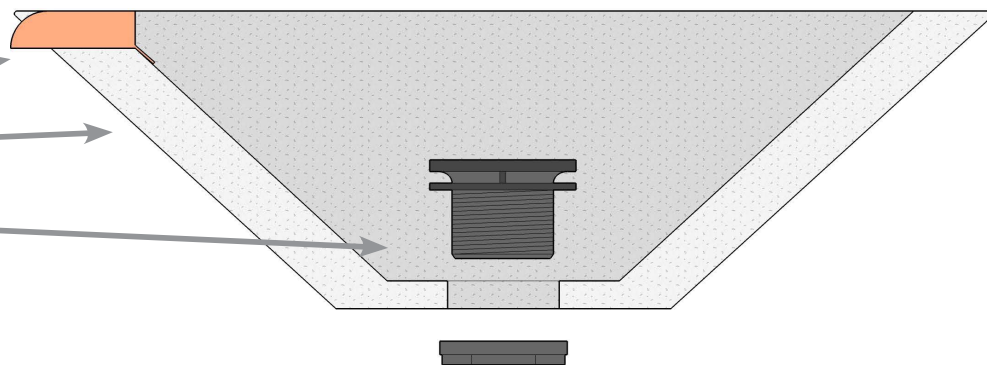
Improper installation, adjustment, alteration, service, or maintenance can cause injury or property damage. Read the installation, operating, and maintenance instructions thoroughly before installing or servicing this equipment

REQUIREMENTS FOR WATER BOWL:

- Water flow: 12-15 GPM
- Silicone or Epoxy adhesive
- Water line or hose
- Decorative stones (optional)

ITEMS INCLUDED:

- Copper Spillway
- Concrete Bowl
- Water Fitting
1 1/2" Threading



Smooth Flow Fitting

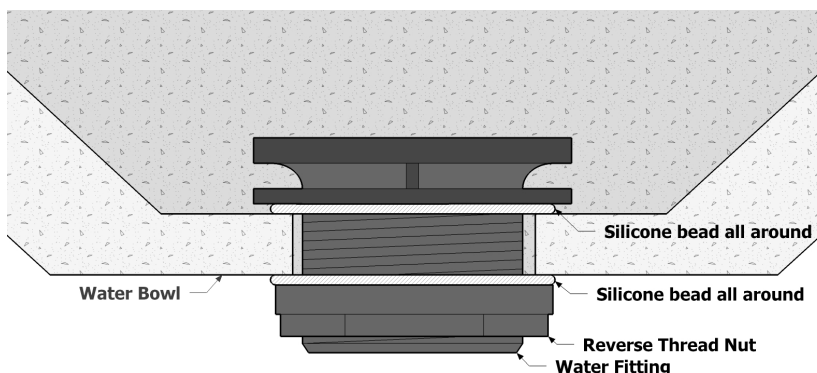


Copper Spillway

WATER ONLY BOWL INSTALLATION Cont.

Step 1. Install our smooth flow water fitting. Remove the nut (reverse thread) apply silicone on the interior of the water fitting to avoid water leakage (See Diagram #1)

Step 2. Tighten the smooth flow fitting. Reminder the nut is reverse thread. Allow curing time for the silicone to avoid any water leaks.



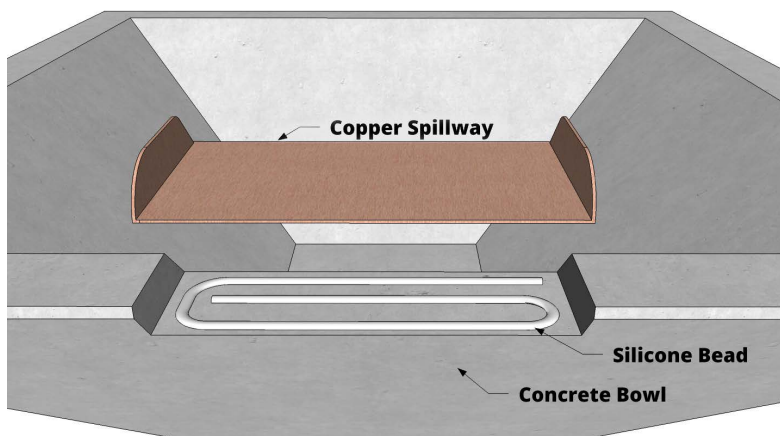
Step 3. Leak test. Add small amounts of water in the interior of the bowl to check for leaks. If leak is detected you can patch the leak with more silicone. If no leak is detected you are now ready to install the water supply line.

Step 4. Connect your supply line to the water fitting. The water fitting has 1 1/2" female but you can reduce it to your desired water supply line. This fitting is made for an installation of the water bowl and to give you the best flow output possible.

Step 5. Secure the bowl to the column. You can use thin-set, anchors, mortar, cement and or any other bonding agent. If you are using anchors please make sure to pre-drill the bowl to avoid cracking the bowl. Make sure the bowl is water tight. When securing the bowl level the bowl to get an even flow out of the scupper. Not having a level bowl can result in an inconsistent water flow..

Step 6. Install the scupper to the bowl. Permanently attach the scupper to the lip of the bowl by using an epoxy adhesive, silicone and or any other bonding agent of choice. Make sure the scupper is leveled for the best water flow output.

Step 7. You are now ready to turn on your water bowl. You can add decorative stone inside the bowl if desired.



WARRANTY

LIMITED WARRANTY

The Outdoor Plus Company (TOP) warrants HWI fire bowls against manufacturing defects that prevent safe and correct function as follows:

- Electronics, Gas Valve, & Pilot Assembly: Commercial-6mos; Residential- 1 yr.
- Stainless Steel Pan, Fire Ring, & Valve Box: Commercial-1yr.; Residential 3yrs.

This commences from the date of original sale / shipment from The Outdoor Plus.

This warranty is for parts and in-house (TOP) labor. The defective product must be sent back to TOP with a Return Merchandise Authorization (RMA) issued by TOP for that specific product and any other additional information for the nature of the defect or warranty claim.

The warranty does not cover items that have been damaged by overheating, modification, abuse, or improper storage. Also any labor involving installation or maintenance with the unit is not covered.

This warranty excludes claims for consequential, indirect-collateral expenses arising from product defects or warranty recovery.

FIRE BOWL

MATCH LIT IGNITION

***READ THIS MANUAL BEFORE INSTALLATION OF THE UNIT**



WARNING:



Improper installation, adjustment, alteration, service, or maintenance can cause injury or property damage. Read the installation, operating, and maintenance instructions thoroughly before installing or servicing this equipment.



WARNING:



Do NOT Store or use gasoline or other flammable vapors and liquids in vicinity of this or any other appliance.

An LP cylinder not connected for use shall not be stored in the vicinity of this or any other unit.

Installation: we suggest that our products be installed by professionals that are locally licensed by the authority having jurisdiction in gas piping

NATIONAL
FIREPLACE
INSTITUTE



CERTIFIED

We suggest that our products be serviced by a professional certified in the U.S. By the National Fireplace Institute as a NFI Specialists



WARNING



FOR OUTDOOR USE ONLY

CARBON MONOXIDE HAZARD

This appliance can produce carbon monoxide which has no odor.

Using it in an enclosed space can kill you.

Never use this appliance in an enclosed space such as a camper, tent car or home.



WARNING:



For use with Natural Gas or Liquid Propane ONLY
NO SOLID FUELS TO BE USED

Installation must conform with local codes or, in the absence of local codes, with the National Fuel Gas Code, ANSI Z223.1 / NFPA 54, or International Fuel Gas Code.

The appliance, when installed, must be electrically grounded in accordance with local codes or, in the absence of local codes, with the National Electric Code, ANSI/NFPA 70, if applicable.

TAMPERING, MANIPULATING, AND/OR ALTERATIONS TO THE UNIT WILL VOID THE WARRANTY IMMEDIATELY

FIRE ONLY BOWL INSTALLATION Cont.

General Information

Please carefully follow the instructions in this manual to prevent personal injury or property loss. Instructions are updated as needed. It is the installer's responsibility to periodically review instruction for applicable updates.

The steps listed as

WARNING: Contains information critical to the safe installation and operation of the fire bowl.

WARRANTY REQUIREMENT: Must be strictly followed to qualify for product warranty.

Warranty will be void if not followed.

IMPORTANT: Are notes and insights to help ensure product satisfaction and serviceability.

WARNING: It is the installer's responsibility to ensure a safe installation and to educate the end user as to proper operation. Leave this manual with the end user.

WARNING: Never alter product or configuration in any way.

WARNING: We suggest that our products be installed by professionals that are locally licensed by the authority having jurisdiction in gas piping. We suggest that our products be serviced annually by a professional certified in the US by the National Fireplace Institute (NFI) as NFI Gas Specialists or in Canada by WETT (Wood Energy Technical Training).

Installer must follow all instructions carefully to ensure proper performance and safety.

The Outdoor Plus Company is not responsible for your actions.

WARNING: Product is not intended to be a starter for wood or any other combustibles.

WARNING: Product is not for use with small LP Tanks and must utilize permanent fixed piping for fuel supply.

WARNING: It is the responsibility of the installer to follow:

- The National Fuel Gas Code, ANSI Z223.1/NFPA 54 or International Fuel Gas Code.
- The National Electrical Code, ANSI/NFPA 70.
- Local Codes

WARNING: Verify correct gas/fuel type and pressure. Never use an alternative fuel to include bio-fuel, ethanol, lighter fluid or any other fuel. Gas pressure and type should be checked prior to use and installation.

Natural Gas Fire bowl:

Supply Pressure: Minimum: 3.5" W.C.; Maximum: 7.0" W.C.

LP Gas:

Supply Pressure: Minimum: 8.0" W.C.; Maximum: 11.0" W.C.

Selecting the Location

WARNING: All fire bowls, match lit kits, and spark ignition systems are designed and intended for outdoor use only.

WARNING: All fire bowls must have a gas shutoff on the outside of the exterior of the fire bowl to allow for emergency shut off and maintenance.

WARNING: Select a location where the fire bowl can be attended during operation. Never leave an operating fire bowl unattended or by someone not familiar with its operation or emergency shut off locations.

WARNING: Both children and adults should be alerted to the hazards of high surface temperatures and should stay away to avoid burns and clothing ignition.

WARNING: Young children should be carefully supervised when they are in the area of fire bowl.

WARNING: Clothing or other flammable materials should not be placed on or near fire bowl.

WARNING: Fire bowls create very high temperatures - Combustibles must be located far enough away that there is no risk of ignition. (See Clearance From Combustibles diagram at the end of this document)

Fire bowl Clearances from Combustibles (Diagram can be found at the end of this document)

Sides Surrounding Fire bowl - 48" From Structure or Combustibles

Overhead Clearance - 96" from combustibles overhead

IMPORTANT: It is recommended that material such as granite, marble or other dense stone be kept away from heat and especially flame due to risk of cracking. Manufacturer is not responsible for damage.

TIPS FOR CHOOSING LOCATION

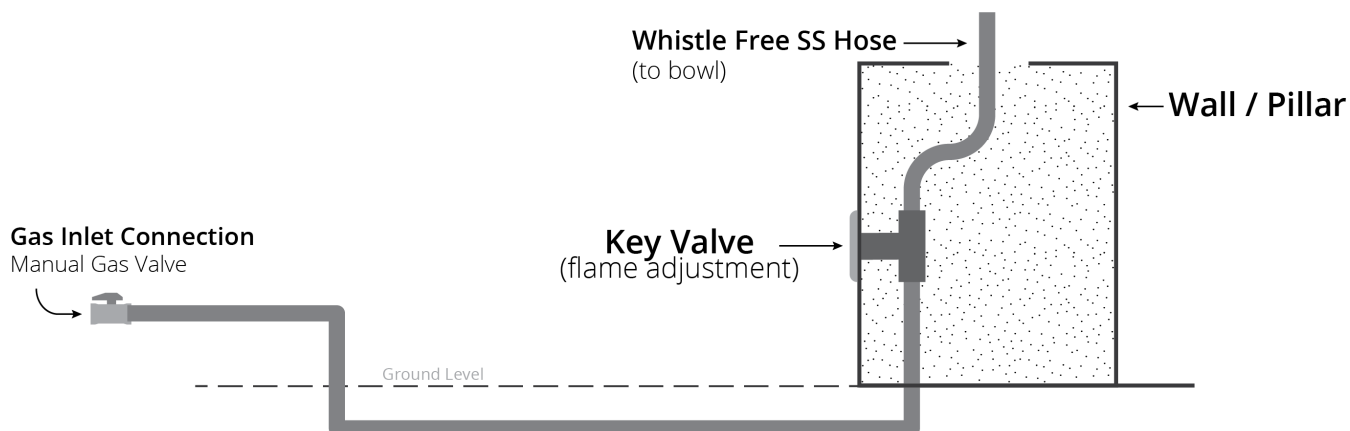
- Select a location with good drainage.
- Choose a location that allows easy access for installation and maintenance of the fire bowl.
- Pick a location that allows sufficient horizontal room to enjoy the fire bowl while allowing a safe distance from the heat and flame.

FIRE ONLY BOWL INSTALLATION Cont.

RUNNING GAS LINES

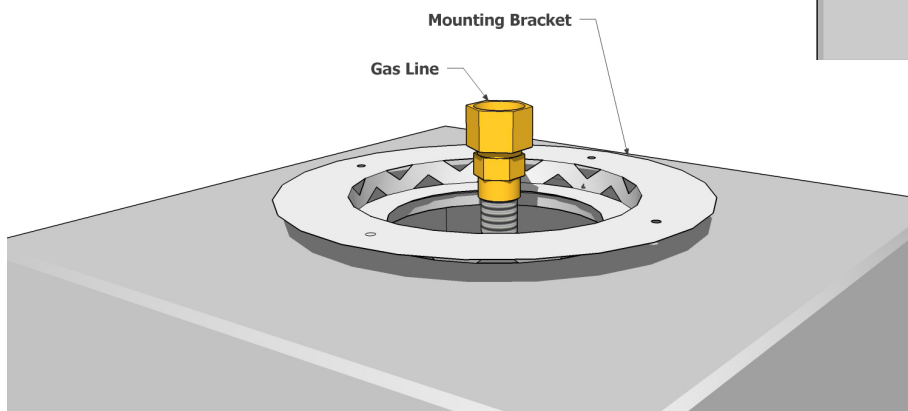
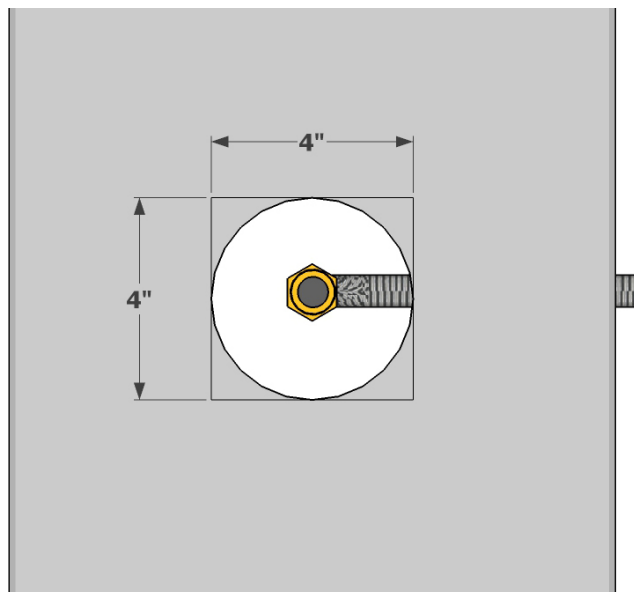
- The gas piping shall be installed underground between to each fire bowl. The piping shall be reduced to 1/2" NPT at each bowl.
- To eliminate unnecessary pressure drop, ensure the pipe length and amount of elbows used is minimized. Yellow corrugated flex lines should not be used.
- Gas lines should be centered in the middle of the column.

KEY VALVE HIGHLY RECOMMENDED TO ADJUST HEIGHT OF FLAME OF EACH INDIVIDUAL FIRE FEATURE *KEY VALVE SOLD SEPARATELY



MOUNTING ON PILLAR/WALL

- Secure mounting bracket to mounting location with anchors rated for material being affixed. (Anchors not supplied by The Outdoor Plus.)
- Avoid grout seams when installing anchors
- Center cutout hole must be no larger than 4" inches square or diameter. Any larger and the mounting bracket will not have enough area to be properly secured.
- Use bracket to locate and mark the hole location.
- Do NOT kink or sharply bend any of the stainless steel gas lines.
- Do NOT use yellow corrugated gas lines.
- Key Valves near the bowl are recommended for flame adjustment.



FIRE ONLY BOWL INSTALLATION Cont.

INSTALLATION OF FIRE BOWL

WARNING: We suggest that our products be installed by professionals that are locally licensed by the authority having jurisdiction in gas piping.

WARNING: We suggest that our products be serviced annually by a professional certified in the US by the National Fireplace Institute (NFI) as NFI Gas Specialists.

WARNING: Confirm this appliance is built for gas used – natural gas or LP. Do not use natural gas appliance with LP or LP appliance with natural gas. Refer to the label on the appliance.

WARNING: To prevent damage, unhook fire bowl from gas supply for pressure leak tests.

WARNING: Fuel line sizing is the responsibility of the installer and must be able to supply the stated maximum btu for the product.

WARNING: Burn Testing- It is the responsibility of the qualified installer to test for gas leaks at all connections.

WARNING: When filling the pan with lava rock and/or decorative glass, follow directions on the following page

WARNING: Gas Plumbing Connections: Use only joint compound or tape that is resistant to all gases. Apply joint compound to all male pipe fittings only- DO NOT use on FLARED/TAPERED fittings. Be sure to tighten every joint securely.

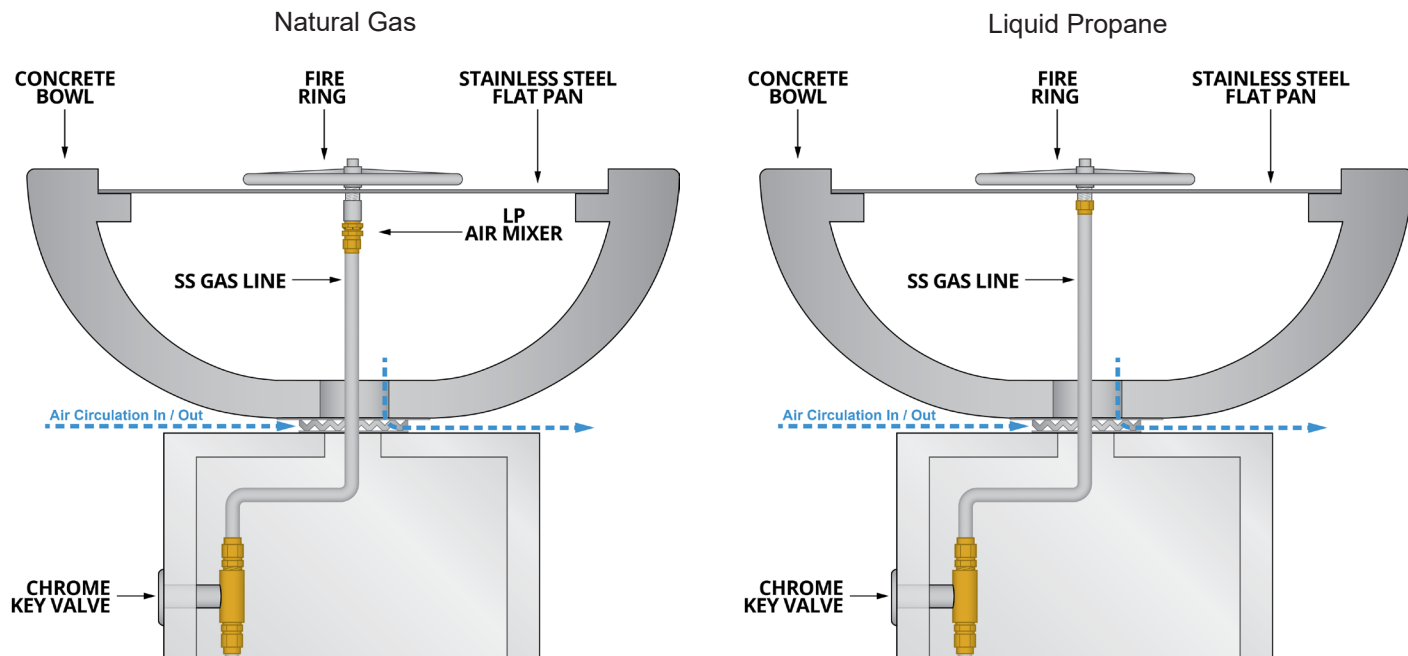
WARNING: For systems with an extended or detached valve box the area in which the valve box is installed must conform with all installation requirements to include but not limited to location, construction, venting and local codes. Failure to do so may result in personal injury property damage or explosion.

WARRANTY REQUIREMENT: Warranty is void if product is altered.

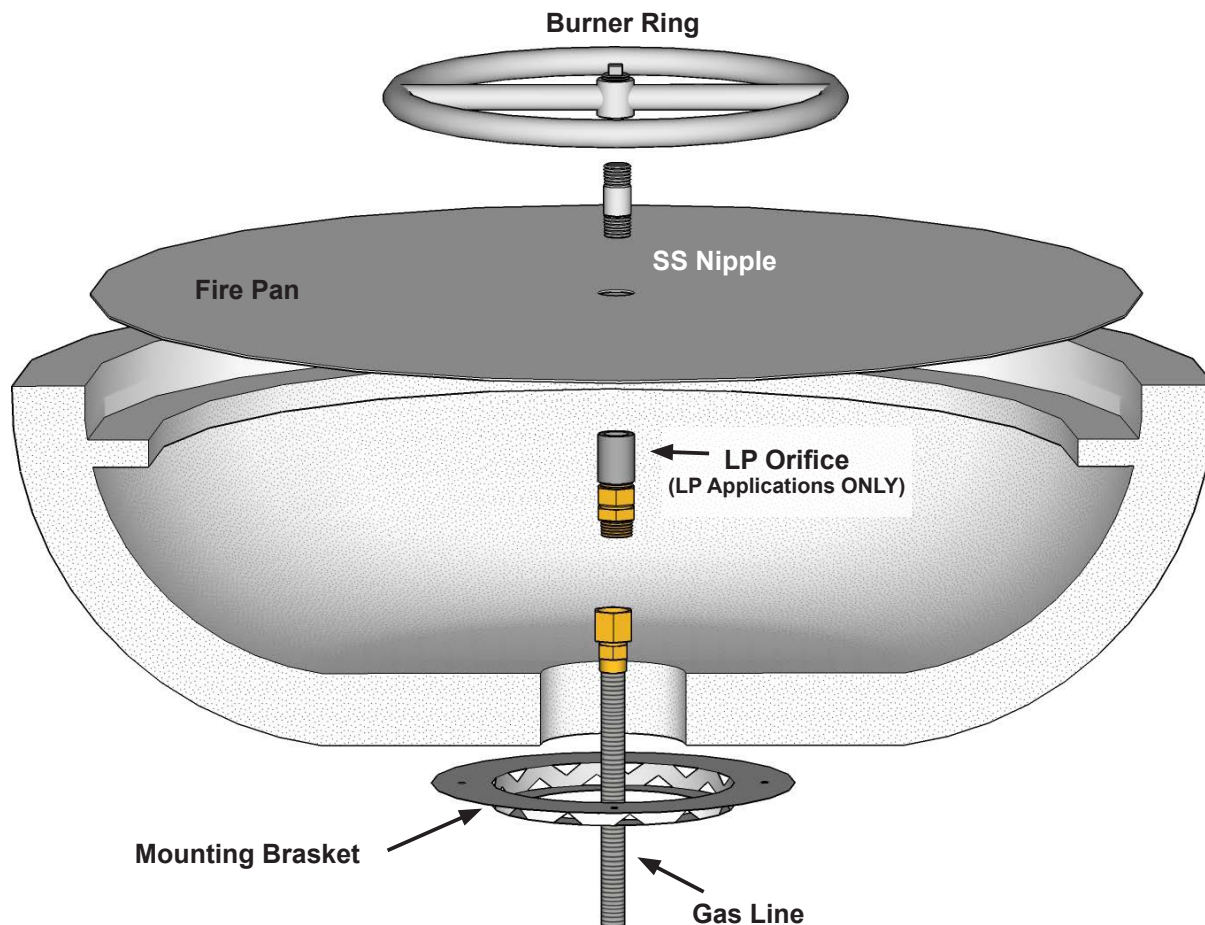
- Plan your project well in advance to comply with all instruction and codes and allow for access and serviceability of the product.
- Purge gas lines of air.
- Perform all leak test with leak detector or leak reactant.
- Verify correct gas type and pressure.
- Perform leak test on main gas supply. Repair leaks as necessary.
- Shut Off Gas Supply and Power to fire-pit.
- Connect fire-pit to main gas supply.
- Turn on gas supply and perform leak test on all inlet connections. Repair as needed.
- Position fire bowl safely with access to all gas connections for testing.
- Light fire bowl. It may take several cycles to purge air from the lines.
- Once fire bowl is lit perform leak test on all gas connections. Repair as needed.
- Turn off fire bowl and allow to cool.
- Apply media
- Turn on fire bowl again and perform leak test with media correctly installed. If gas leak is detected verify correct media application and repair as needed.
- If key valve is installed adjust flame to desired height. (Never alter the product configuration)
- Set fire bowl in properly constructed enclosure
- Verify correct operation and lighting.
- Review safety manual with end user and instruct not to change/ modify fire bowl or media.
- Leave manual with end user.

FIRE ONLY BOWL INSTALLATION Cont.

PROPERLY INSTALLED MATCH LIT FIRE BOWL DIAGRAMS



Component Overview



FIRE ONLY BOWL INSTALLATION Cont.

ACCEPTABLE MEDIA FOR FIRE FEATURES

WARNING

Do not use any other material as filler/topping media inside fire features other than those listed below.

Using improper media inside a fire feature could result in damage to property or injury to persons nearby due to media 'popping' or 'exploding' due to heat

LIST OF ACCEPTABLE MEDIA FOR FIRE FEATURES

Lava Rock (or other Igneous Rock) NO LARGER THAN 2" in diameter

Fireglass approved for use in fire features

Manmade stone for use in fire features (Refractory Material)

INSTALLATION NOTE

The use of media inside fire features is recommended due to the fact it enhances the look of the fire feature but also improves its performance by forcing the gas emanating from the burner to mix as it passes through the media. This 'mixing' of gases creates an even flame throughout the feature and helps spread the flame from the Pilot Burner throughout the burner quicker than when there is no media. Recommended thickness of the media above the burner element is NO MORE than 2".

INSTALLATION OF MEDIA IN FIRE FEATURES

There are several options when it comes to topping material for a fire feature; large lava chunks, fire glass and fire stones. In this example we are using 1" lava rock. You will need a layer that is 2" - 3" thick to properly cover the fire feature while at the same time allowing plenty of oxygen to mix with the gas coming from the fire ring. This lava rock is more expensive than the "filler" lava rock but is still fairly inexpensive and readily available in the BBQ section of most hardware stores.



No more than 1" of media should cover the burner. Adding more may cause damage

FIRE ONLY BOWL INSTALLATION Cont.

FIRE BOWL OPERATION

WARNING: before use, be sure to test all gas connection for leaks. Do not use fire bowl if there is any evidence of leaking gas. If leaking gas suspected, turn off the main gas supply and repair immediately

WARNING: Do not use the fire bowl if any part has been submerged under water. Immediately call a qualified technician to inspect the fire bowl

WARNING: never use any Material that is non-porous and holds moisture such as gravel, pebbles, river rocks, etc. This material, when heated, will cause moisture trapped inside to boil and fracture unexpectedly. This material is not sufficiently porous to allow heated steams to readily escape which can break and cause personal injury or damage

WARNING: solid fuels shall not be burned in the fire bowl. Leaves, sticks, wood, paper, clothing, food, should be kept away from the fire bowl. Fire bowl is not for cooking. Make sure that there is no vegetation or other objects over the top or sides of the fire bowl that could interfere with safe operation. See the clearance from combustibles diagram at the end of this document.

WARNING: if lava rock is wet, allow fire bowl to burn for 45 prior to coming within 15 feet of the fire bowl.

Warranty requirement: when not in use, the fire bowl must be covered.

Important: initial start-up: it may be necessary to purge **Air in the Gas Lines** after system installation.

START UP

1. Stop! If you smell gas: 1) shut off gas to appliance. 2) Extinguish any open flame. 3) If odor continues, keep away from appliance and immediately call gas supplier or fire department.
2. Ensure fire bowl is clear of people, debris, that all covers are removed and the feature is safe to start.
3. Place ling handles lighter or match while burning on top of th fire bowl
4. Slowly turn "on" the gas valve.
5. After burner lights, remove the lighter or match
6. Adjust flame to desired height
7. If burner does not light, turn valve to "off" position and allow gas to clear then repeat steps 3-7
8. Never alter the design of the fire bowl
9. Ensure firepit, children and patrons are supervised by a responsible adult that is familiar with emergency shut down.
10. Flammable materials should not be places on or near the fire bowl
11. This product is not for use with small tanks. It is intended to be connected to fixed piping system only.

MAINTENANCE

WARNING: Any guard or protective device removed for servicing must be replaced prior to operating the fire bowl.

WARNING: Installation and repair should be done by a qualified service person. Fire bowls should be inspected prior to use and at least annually by a qualified service person.

WARNING: Ensure gas and power (if applicable) are shut off and fire bowl is cool before servicing

- Keep fire bowl covered at all times when not in use.
- In some areas of the country spiders or insects have been known to build nest and or lay eggs in the venture holes of the air-mixer for LP units. This can cause fuel to fill the fire feature cavity and result in personal injury or property damage. Periodical inspection by a qualified service technician of the air-intake is required to ensure your fire feature performs properly.
- Keep any debris out of fire bowl- clean as needed.
- Ring Cleaning: (1 x YR) If flames exhibit any abnormal shapes or behavior, or if burner fails to ignite properly, then the burner holes may require cleaning. The appliance can be cleaned by carefully removing the media to allow access to burner. Use a brush to carefully remove dust, spider webs, and loose particles from base, logs, and fire ring itself. If evidence of damage, fire ring must be replaced with fire ring specified by manufacturer

FIRE ONLY BOWL INSTALLATION Cont.

TROUBLESHOOTING

Below are some potential causes and countermeasures to the symptoms indicated in bold. Please contact your retailer or certified technician for service & repair.

Below are some potential causes and countermeasures to the symptoms indicated in bold. If still unable to resolve issue, please contact your retailer or certified technician.

Will Not Light

- | | |
|--------------------------|--|
| 1. Air in gas line. | If new install, may take several attempts to purge air |
| 2. Debris in gas line. | Confirm gas line is clear (insulation, dirt, plastic, excessive pipe sealer etc..) |
| 3. Gas Pressure Improper | Confirm proper gas pressure found |

Will Not Stay Lit

- | | |
|-----------------------------|---|
| 1. Gas Pressure Improper | Confirm proper gas pressure found (Section 1) |
| 2. Improperly applied media | Review Media in (Section 5) |

Noise

- | | |
|--------------------|---------------------------|
| 1. Whistling Sound | Change Flex line routing. |
|--------------------|---------------------------|

WARRANTY

LIMITED WARRANTY

The Outdoor Plus Company (TOP) warranties HWI fire bowls against manufacturing defects that prevent safe and correct function as follows:

- Electronics, Gas Valve, & Pilot Assembly: Commercial-6mos; Residential- 1 yr.
- Stainless Steel Pan, Fire Ring, & Valve Box: Commercial-1yr.; Residential 3yrs.

This commences from the date of original sale / shipment from The Outdoor Plus.

This warranty is for parts and in-house (TOP) labor. The defective product must be sent back to TOP with a Return Merchandise Authorization (RMA) issued by TOP for that specific product and any other additional information for the nature of the defect or warranty claim.

The warranty does not cover items that have been damaged by overheating, modification, abuse, or improper storage. Also any labor involving installation or maintenance with the unit is not covered.

This warranty excludes claims for consequential, indirect-collateral expenses arising from product defects or warranty recovery.

FIRE & WATER BOWL

MATCH LIT IGNITION

***READ THIS MANUAL BEFORE INSTALLATION OF THE UNIT**



WARNING:



Improper installation, adjustment, alteration, service, or maintenance can cause injury or property damage. Read the installation, operating, and maintenance instructions thoroughly before installing or servicing this equipment.



WARNING:



Do NOT Store or use gasoline or other flammable vapors and liquids in vicinity of this or any other appliance.
An LP cylinder not connected for use shall not be stored in the vicinity of this or any other unit.

Installation: we suggest that our products be installed by professionals that are locally licensed by the authority having jurisdiction in gas piping

NATIONAL
FIREPLACE
INSTITUTE



CERTIFIED

We suggest that our products be serviced by a professional certified in the U.S. By the National Fireplace Institute as a NFI Specialists



WARNING



FOR OUTDOOR USE ONLY

CARBON MONOXIDE HAZARD

This appliance can produce carbon monoxide which has no odor.

Using it in an enclosed space can kill you.

Never use this appliance in an enclosed space such as a camper, tent car or home.



WARNING:



For use with Natural Gas or Liquid Propane ONLY
NO SOLID FUELS TO BE USED

Installation must conform with local codes or, in the absence of local codes, with the National Fuel Gas Code, ANSI Z223.1 / NFPA 54, or International Fuel Gas Code.

The appliance, when installed, must be electrically grounded in accordance with local codes or, in the absence of local codes, with the National Electric Code, ANSI/NFPA 70, if applicable.

TAMPERING, MANIPULATING, AND/OR ALTERATIONS TO THE UNIT WILL VOID THE WARRANTY IMMEDIATELY

FIRE & WATER BOWL INSTALLATION Cont.

General Information

Please carefully follow the instructions in this manual to prevent personal injury or property loss. Instructions are updated as needed. It is the installer's responsibility to periodically review instruction for applicable updates.

The steps listed as

WARNING: Contains information critical to the safe installation and operation of the fire bowl.

WARRANTY REQUIREMENT: Must be strictly followed to qualify for product warranty.

Warranty will be void if not followed.

IMPORTANT: Are notes and insights to help ensure product satisfaction and serviceability.

WARNING: It is the installer's responsibility to ensure a safe installation and to educate the end user as to proper operation. Leave this manual with the end user.

WARNING: Never alter product or configuration in any way.

WARNING: We suggest that our products be installed by professionals that are locally licensed by the authority having jurisdiction in gas piping. We suggest that our products be serviced annually by a professional certified in the US by the National Fireplace Institute (NFI) as NFI Gas Specialists or in Canada by WETT (Wood Energy Technical Training). Installer must follow all instructions carefully to ensure proper performance and safety.

The Outdoor Plus Company is not responsible for your actions.

WARNING: Product is not intended to be a starter for wood or any other combustibles.

WARNING: Product is not for use with small LP Tanks and must utilize permanent fixed piping for fuel supply.

WARNING: It is the responsibility of the installer to follow:

- The National Fuel Gas Code, ANSI Z223.1/NFPA 54 or International Fuel Gas Code.
- The National Electrical Code, ANSI/NFPA 70.
- Local Codes

WARNING: Verify correct gas/fuel type and pressure. Never use an alternative fuel to include bio-fuel, ethanol, lighter fluid or any other fuel. Gas pressure and type should be checked prior to use and installation.

Natural Gas Fire bowl:

Supply Pressure: Minimum: 3.5" W.C.; Maximum: 7.0" W.C.

LP Gas:

Supply Pressure: Minimum: 8.0" W.C.; Maximum: 11.0" W.C.

Selecting the Location

WARNING: All fire bowls, match lit kits, and spark ignition systems are designed and intended for outdoor use only.

WARNING: All fire bowls must have a gas shutoff on the outside of the exterior of the fire bowl to allow for emergency shut off and maintenance.

WARNING: Select a location where the fire bowl can be attended during operation. Never leave an operating fire bowl unattended or by someone not familiar with its operation or emergency shut off locations.

WARNING: Both children and adults should be alerted to the hazards of high surface temperatures and should stay away to avoid burns and clothing ignition.

WARNING: Young children should be carefully supervised when they are in the area of fire bowl.

WARNING: Clothing or other flammable materials should not be placed on or near fire bowl.

WARNING: Fire bowls create very high temperatures - Combustibles must be located far enough away that there is no risk of ignition. (See Clearance From Combustibles diagram at the end of this document)

Fire bowl Clearances from Combustibles (Diagram can be found at the end of this document)

Sides Surrounding Fire bowl - 48" From Structure or Combustibles

Overhead Clearance - 96" from combustibles overhead

IMPORTANT: It is recommended that material such as granite, marble or other dense stone be kept away from heat and especially flame due to risk of cracking. Manufacturer is not responsible for damage.

TIPS FOR CHOOSING LOCATION

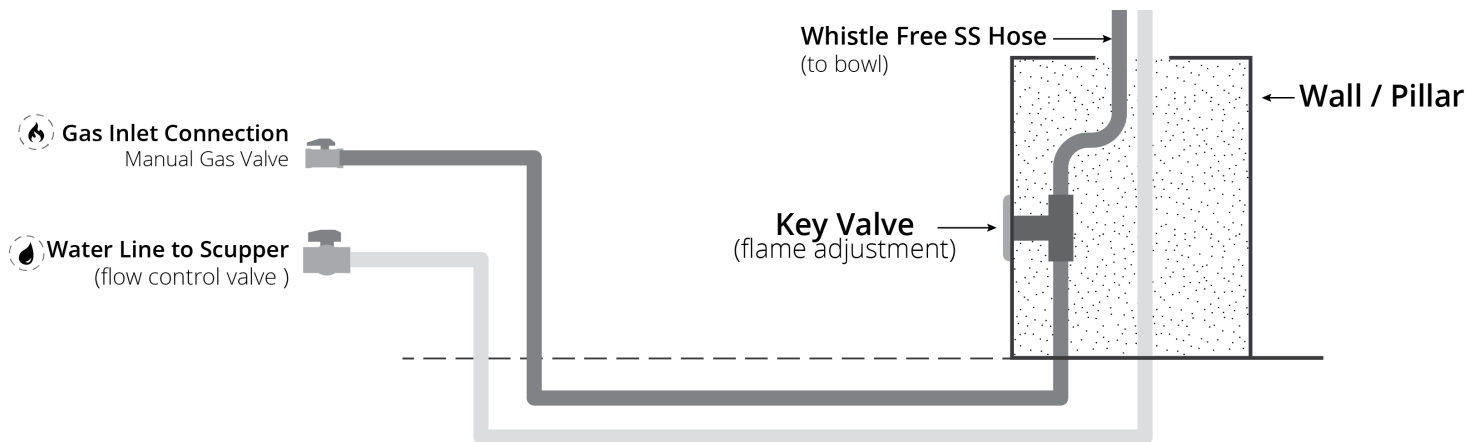
- Select a location with good drainage.
- Choose a location that allows easy access for installation and maintenance of the fire bowl.
- Pick a location that allows sufficient horizontal room to enjoy the fire bowl while allowing a safe distance from the heat and flame.

FIRE & WATER BOWL INSTALLATION Cont.

RUNNING GAS LINES

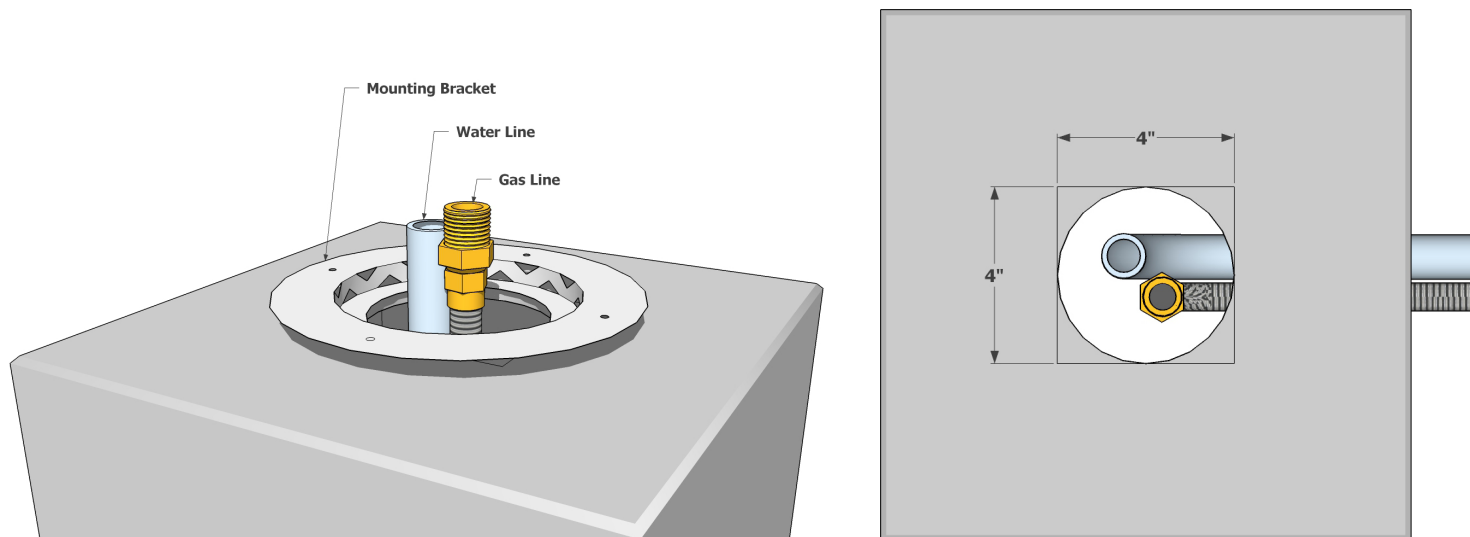
- The gas piping shall be installed underground between to each fire bowl. The piping shall be reduced to 1/2" NPT at each bowl.
- To eliminate unnecessary pressure drop, ensure the pipe length and amount of elbows used is minimized. Yellow corrugated flex lines should not be used.
- Gas lines should be centered in the middle of the column.

KEY VALVE HIGHLY RECOMMENDED TO ADJUST HEIGHT OF FLAME OF EACH INDIVIDUAL FIRE FEATURE
***KEY VALVE SOLD SEPARATELY**



MOUNTING ON PILLAR/WALL

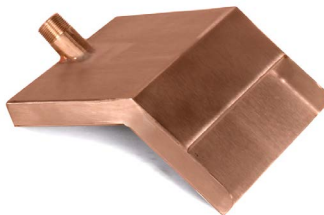
- Secure mounting bracket to mounting location with anchors rated for material being affixed. (Anchors not supplied by The Outdoor Plus.)
- Avoid grout seams when installing anchors
- Center cutout hole must be no larger than 4" inches square or diameter. Any larger and the mounting bracket will not have enough area to be properly secured.
- Use bracket to locate and mark the hole location.
- Do NOT kink or sharply bend any of the stainless steel gas lines.
- Do NOT use yellow corrugated gas lines.
- Key Valves near the bowl are recommended for flame adjustment.



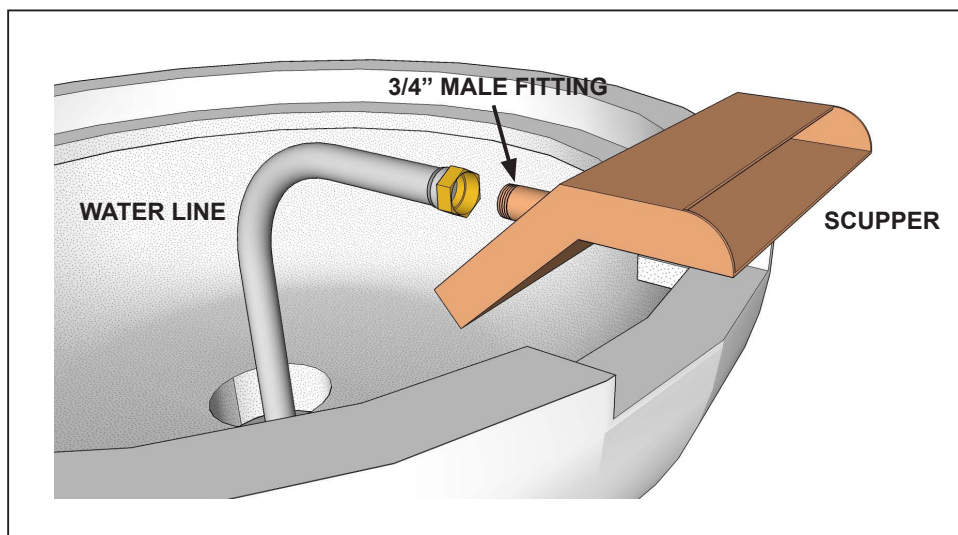
FIRE & WATER BOWL INSTALLATION Cont.

INSTALLATIONS OF SCUPPER

Water flow requirements: 12-15 gpm
Scupper will have a $\frac{3}{4}$ " male fitting

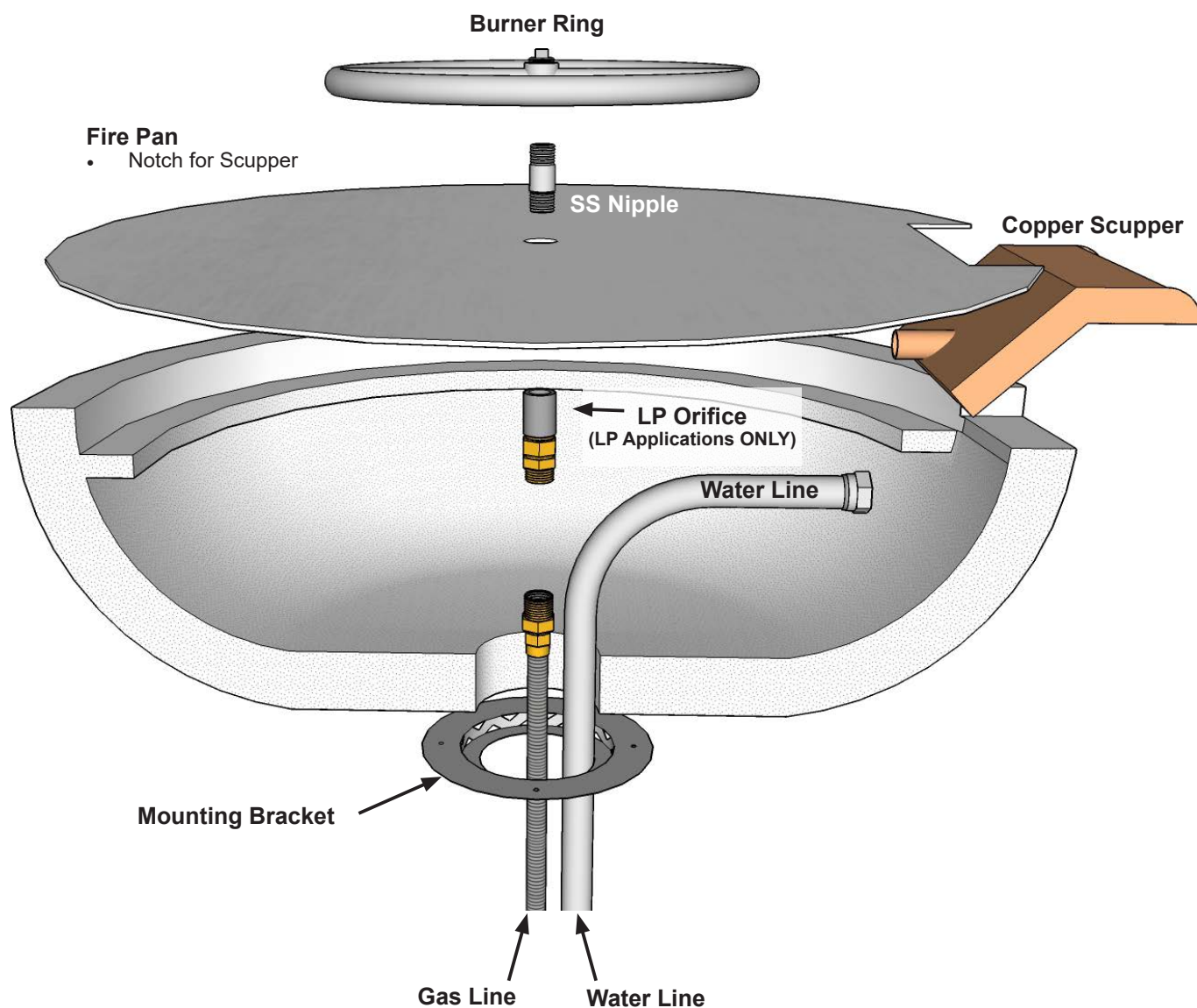


1. Install a $\frac{3}{4}$ " water supply line capable of 12-15 GPM as shown in diagram
2. The scupper will have a $\frac{3}{4}$ " male fitting
3. You can reduce to $\frac{1}{2}$ " but this might reduce performance of the water flow
4. Connect your water line to scupper. You may need to use silicone.
5. Make sure all connections are tight and free of leaks
6. To firmly attach the scupper, apply a discreet amount of silicone or epoxy adhesive to the notch in the bowl
7. You are now ready to turn on the water portion of the fire and water bowl



FIRE & WATER BOWL INSTALLATION Cont.

COMPONENT OVERVIEW



FIRE & WATER BOWL INSTALLATION Cont.

ACCEPTABLE MEDIA FOR FIRE FEATURES

WARNING

Do not use any other material as filler/topping media inside fire features other than those listed below.

Using improper media inside a fire feature could result in damage to property or injury to persons nearby due to media 'popping' or 'exploding' due to heat

LIST OF ACCEPTABLE MEDIA FOR FIRE FEATURES

- Lava Rock (or other Igneous Rock) NO LARGER THAN 2" in diameter
- Fireglass approved for use in fire features
- Manmade stone for use in fire features (Refractory Material)

INSTALLATION NOTE

The use of media inside fire features is recommended due to the fact it enhances the look of the fire feature but also improves its performance by forcing the gas emanating from the burner to mix as it passes through the media. This 'mixing' of gases creates an even flame throughout the feature and helps spread the flame from the Pilot Burner throughout the burner quicker than when there is no media. Recommended thickness of the media above the burner element is NO MORE than 2". Due to the fact the Pilot Burner must be partially exposed to oxygen in order to ignite the pilot flame during startup DO NOT COMPLETELY COVER THE PILOT BURNER. When installation of the media is complete the top of the Pilot Burner Protective Cover should be visible.

INSTALLATION OF MEDIA IN FIRE FEATURES

There are several options when it comes to topping material for a fire feature; large lava chunks, fire glass and fire stones. In this example we are using 1" lava rock. You will need a layer that is 2" - 3" thick to properly cover the fire feature while at the same time allowing plenty of oxygen to mix with the gas coming from the fire ring. This lava rock is more expensive than the "filler" lava rock but is still fairly inexpensive and readily available in the BBQ section of most hardware stores.



No more than 1" of media should cover the burner. Adding more may cause damage

No more than 1" of media should cover the burner. Adding more may cause damage

Do NOT cover the top of the pilot. Keep the top exposed

FIRE & WATER BOWL INSTALLATION Cont.

FIRE BOWL OPERATION

WARNING: before use, be sure to test all gas connection for leaks. Do not use fire bowl if there is any evidence of leaking gas. If leaking gas suspected, turn off the main gas supply and repair immediately

WARNING: Do not use the fire bowl if any part has been submerged under water. Immediately call a qualified technician to inspect the fire bowl

WARNING: never use any Material that is non-porous and holds moisture such as gravel, pebbles, river rocks, etc. This material, when heated, will cause moisture trapped inside to boil and fracture unexpectedly. This material is not sufficiently porous to allow heated steams to readily escape which can break and cause personal injury or damage

WARNING: solid fuels shall not be burned in the fire bowl. Leaves, sticks, wood, paper, clothing, food, should be kept away from the fire bowl. Fire bowl is not for cooking. Make sure that there is no vegetation or other objects over the top or sides of the fire bowl that could interfere with safe operation. See the clearance from combustibles diagram at the end of this document.

WARNING: if lava rock is wet, allow fire bowl to burn for 45 prior to coming within 15 feet of the fire bowl.

Warranty requirement: when not in use, the fire bowl must be covered.

Important: initial start-up: it may be necessary to purge **Air in the Gas Lines** after system installation.

START UP

1. Stop! If you smell gas: 1) shut off gas to appliance. 2) Extinguish any open flame. 3) If odor continues, keep away from appliance and immediately call gas supplier or fire department.
2. Ensure fire bowl is clear of people, debris, that all covers are removed and the feature is safe to start.
3. Place ling handles lighter or match while burning on top of th fire bowl
4. Slowly turn "on" the gas valve.
5. After burner lights, remove the lighter or match
6. Adjust flame to desired height
7. If burner does not light, turn valve to "off" position and allow gas to clear then repeat steps 3-7
8. Never alter the design of the fire bowl
9. Ensure firepit, children and patrons are supervised by a responsible adult that is familiar with emergency shut down.
10. Flammable materials should not be places on or near the fire bowl
11. This product is not for use with small tanks. It is intended to be connected to fixed piping system only.

MAINTENANCE

WARNING: Any guard or protective device removed for servicing must be replaced prior to operating the fire bowl.

WARNING: Installation and repair should be done by a qualified service person. Fire bowls should be inspected prior to use and at least annually by a qualified service person.

WARNING: Ensure gas and power (if applicable) are shut off and fire bowl is cool before servicing

- Keep fire bowl covered at all times when not in use.
- In some areas of the country spiders or insects have been known to build nest and or lay eggs in the venture holes of the air-mixer for LP units. This can cause fuel to fill the fire feature cavity and result in personal injury or property damage. Periodical inspection by a qualified service technician of the air-intake is required to ensure your fire feature performs properly.
- Keep any debris out of fire bowl- clean as needed.
- Ring Cleaning: (1 x YR) If flames exhibit any abnormal shapes or behavior, or if burner fails to ignite properly, then the burner holes may require cleaning. The appliance can be cleaned by carefully removing the media to allow access to burner. Use a brush to carefully remove dust, spider webs, and loose particles from base, logs, and fire ring itself. If evidence of damage, fire ring must be replaced with fire ring specified by manufacturer

FIRE & WATER BOWL INSTALLATION Cont.

TROUBLESHOOTING

Below are some potential causes and countermeasures to the symptoms indicated in bold. Please contact your retailer or certified technician for service & repair.

Below are some potential causes and countermeasures to the symptoms indicated in bold. If still unable to resolve issue, please contact your retailer or certified technician.

Will Not Light

- | | |
|--------------------------|--|
| 1. Air in gas line. | If new install, may take several attempts to purge air |
| 2. Debris in gas line. | Confirm gas line is clear (insulation, dirt, plastic, excessive pipe sealer etc..) |
| 3. Gas Pressure Improper | Confirm proper gas pressure found |

Will Not Stay Lit

- | | |
|-----------------------------|---|
| 1. Gas Pressure Improper | Confirm proper gas pressure found (Section 1) |
| 2. Improperly applied media | Review Media in (Section 5) |

Noise

- | | |
|--------------------|---------------------------|
| 1. Whistling Sound | Change Flex line routing. |
|--------------------|---------------------------|

FIRE ONLY BOWL - ELECTRONIC

***READ THIS MANUAL BEFORE INSTALLATION OF THE UNIT**



WARNING:



Improper installation, adjustment, alteration, service, or maintenance can cause injury or property damage. Read the installation, operating, and maintenance instructions thoroughly before installing or servicing this equipment.



WARNING:



Do NOT Store or use gasoline or other flammable vapors and liquids in vicinity of this or any other appliance.

An LP cylinder not connected for use shall not be stored in the vicinity of this or any other unit.

Installation: we suggest that our products be installed by professionals that are locally licensed by the authority having jurisdiction in gas piping

NATIONAL
FIREPLACE
INSTITUTE



CERTIFIED

We suggest that our products be serviced by a professional certified in the U.S. By the National Fireplace Institute as a NFI Specialists



WARNING



FOR OUTDOOR USE ONLY

CARBON MONOXIDE HAZARD

This appliance can produce carbon monoxide which has no odor.

Using it in an enclosed space can kill you.

Never use this appliance in an enclosed space such as a camper, tent car or home.



WARNING:



For use with Natural Gas or Liquid Propane ONLY
NO SOLID FUELS TO BE USED

Installation must conform with local codes or, in the absence of local codes, with the National Fuel Gas Code, ANSI Z223.1 / NFPA 54, or International Fuel Gas Code.

The appliance, when installed, must be electrically grounded in accordance with local codes or, in the absence of local codes, with the National Electric Code, ANSI/NFPA 70, if applicable.

TAMPERING, MANIPULATING, AND/OR ALTERATIONS TO THE UNIT WILL VOID THE WARRANTY IMMEDIATELY

FIRE BOWL WITH ELECTRONIC IGNITION FIRE BOWL

General Information

Please carefully follow the instructions in this manual to prevent personal injury or property loss. Instructions are updated as needed. It is the installer's responsibility to periodically review instruction for applicable updates.

The steps listed as

WARNING: Contains information critical to the safe installation and operation of the fire bowl.

WARRANTY REQUIREMENT: Must be strictly followed to qualify for product warranty.

Warranty will be void if not followed.

IMPORTANT: Are notes and insights to help ensure product satisfaction and serviceability.

WARNING: It is the installer's responsibility to ensure a safe installation and to educate the end user as to proper operation. Leave this manual with the end user.

WARNING: Never alter product or configuration in any way.

WARNING: We suggest that our products be installed by professionals that are locally licensed by the authority having jurisdiction in gas piping. We suggest that our products be serviced annually by a professional certified in the US by the National Fireplace Institute (NFI) as NFI Gas Specialists or in Canada by WETT (Wood Energy Technical Training). Installer must follow all instructions carefully to ensure proper performance and safety.

The Outdoor Plus Company is not responsible for your actions.

WARNING: Product is not intended to be a starter for wood or any other combustibles.

WARNING: Product is not for use with small LP Tanks and must utilize permanent fixed piping for fuel supply.

WARNING: It is the responsibility of the installer to follow:

- The National Fuel Gas Code, ANSI Z223.1/NFPA 54 or International Fuel Gas Code.
- The National Electrical Code, ANSI/NFPA 70.
- Local Codes

WARNING: Verify correct gas/fuel type and pressure. Never use an alternative fuel to include bio-fuel, ethanol, lighter fluid or any other fuel. Gas pressure and type should be checked prior to use and installation.

Natural Gas Fire bowl:

Supply Pressure: Minimum: 3.5" W.C.; Maximum: 7.0" W.C.

LP Gas:

Supply Pressure: Minimum: 8.0" W.C.; Maximum: 11.0" W.C.

Selecting the Location

WARNING: All fire bowls, match lit kits, and spark ignition systems are designed and intended for outdoor use only.

WARNING: All fire bowls must have a gas shutoff on the outside of the exterior of the fire bowl to allow for emergency shut off and maintenance.

WARNING: Select a location where the fire bowl can be attended during operation. Never leave an operating fire bowl unattended or by someone not familiar with its operation or emergency shut off locations.

WARNING: Both children and adults should be alerted to the hazards of high surface temperatures and should stay away to avoid burns and clothing ignition.

WARNING: Young children should be carefully supervised when they are in the area of fire bowl.

WARNING: Clothing or other flammable materials should not be placed on or near fire bowl.

WARNING: Fire bowls create very high temperatures - Combustibles must be located far enough away that there is no risk of ignition. (See Clearance From Combustibles diagram at the end of this document)

Fire bowl Clearances from Combustibles (Diagram can be found at the end of this document)

Sides Surrounding Fire bowl - 48" From Structure or Combustibles

Overhead Clearance - 96" from combustibles overhead

IMPORTANT: It is recommended that material such as granite, marble or other dense stone be kept away from heat and especially flame due to risk of cracking. Manufacturer is not responsible for damage.

TIPS FOR CHOOSING LOCATION

- Select a location with good drainage.
- Choose a location that allows easy access for installation and maintenance of the fire bowl.
- Pick a location that allows sufficient horizontal room to enjoy the fire bowl while allowing a safe distance from the heat and flame.

FIRE BOWL WITH ELECTRONIC IGNITION FIRE BOWL

Gas and Electricity Requirements

FUEL TYPE - Before making gas connections, ensure appliance being installed is compatible with the available gas type. Check the label on the appliance to confirm appliance gas type.

GAS PRESSURE - Proper input gas pressures are required for optimum appliance performance

GAS PRESSURE REQUIREMENTS

Pressure	Natural Gas	Propane
Minimum	3.5" W.C. / 1/8 psi	8.0" W.C. / 1/3 psi
Nominal	7.0" W.C. / 1/4 psi	11.0" W.C. / 1/3 psi
Maximum	14.0" W.C. / 1/2" psi	14.0" W.C. / 1/2 psi

ELECTRICAL REQUIREMENTS

The Electronic Ignition System operated on 24 Colts AC power ONLY
DO NOT attempt to power using 110 Volts AC power - Damage WILL RESULT

Acceptable Input Voltages to Supplied 24 Volt AC Transformer:

110 / 210 / 220 / 240 / 480 Volt AC

(Read label on supplied transformer for proper connection information)

RECOMMENDED WIRE SIZE

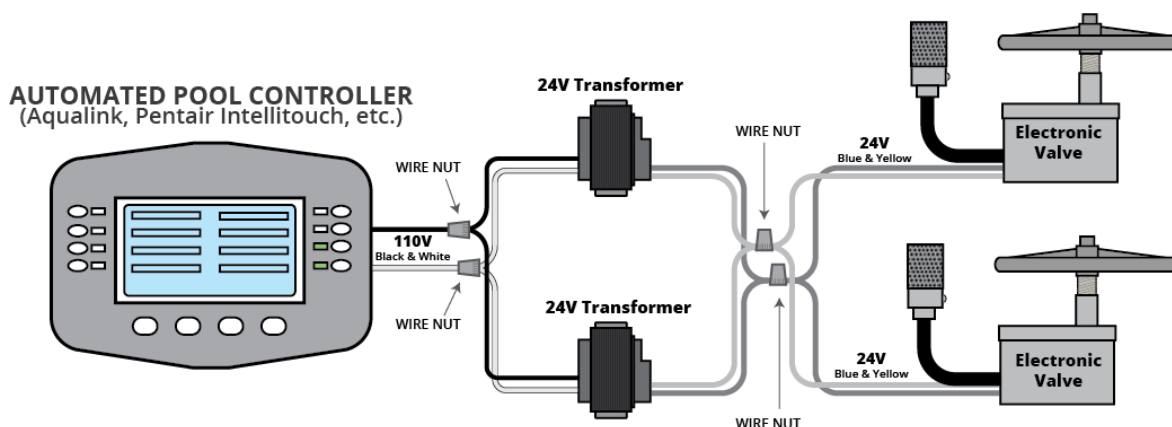
12 gauge for installations within 50ft.

10 gauge for installations from 50ft - 200ft.

8 gauge for installations over 200ft.

HOMERUN WIRING DIAGRAM ON MULTIPLE IGNITION SYSTEMS

- The outdoor plus electronic ignition system have a yellow and a blue wire protruding from them. These are the power wires.
- When doing a home run connection, the polarity of these wires must be the same.
- To achieve this, all the yellow wires must be connected to the same wire from the transformer and all the blue wires connected to the other wire from the transformer. See diagram below.



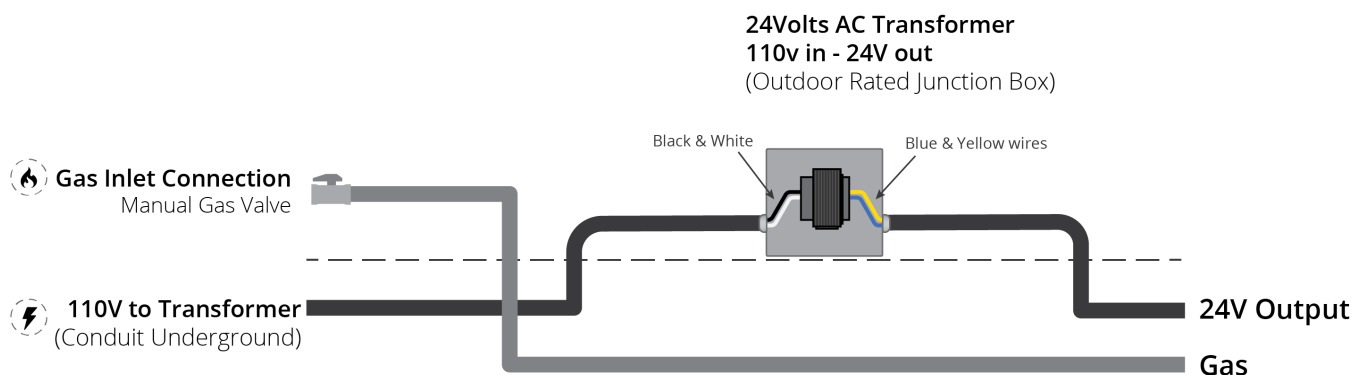
Each valve has its own dedicated transformer

FIRE BOWL WITH ELECTRONIC IGNITION

RUNNING GAS LINES

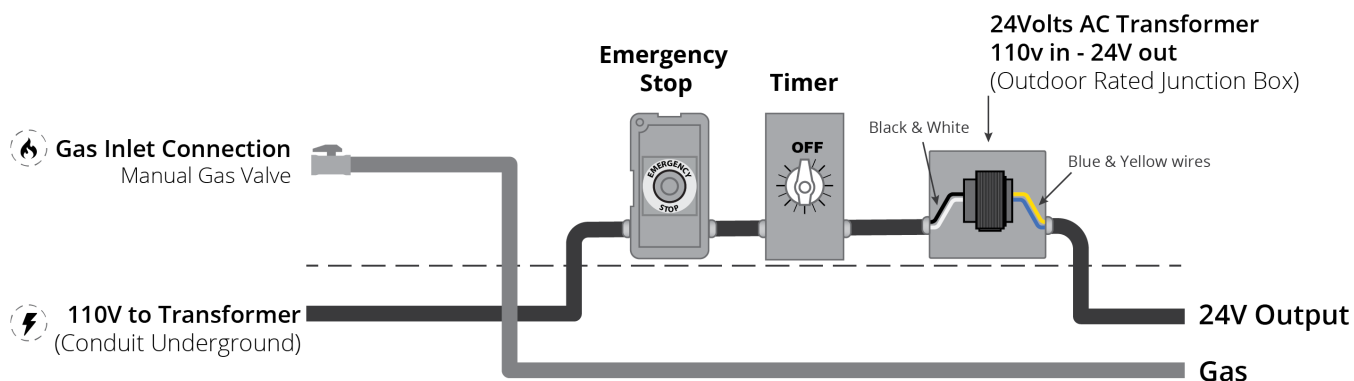
- The gas piping shall be installed underground between to each fire bowl. The piping shall be reduced to 1/2" NPT at each bowl.
- To eliminate unnecessary pressure drop, ensure the pipe length and amount of elbows used is minimized. Yellow corrugated flex lines should not be used.
- Gas lines should be centered in the middle of the column.

KEY VALVE HIGHLY RECOMMENDED TO ADJUST HEIGHT OF FLAME OF EACH INDIVIDUAL FIRE FEATURE
***KEY VALVE SOLD SEPARATELY**



Electronic Timers & Emergency Stop Switches

- When using Dial Timers and Emergency Stop Switches from The Outdoor Plus, ensure they are being installed between your 110V source and the transformer.
- Place the Emergency Stop closest to the 110V source.
- The Electronic Timer runs on 110V ONLY.
- The Emergency Stop

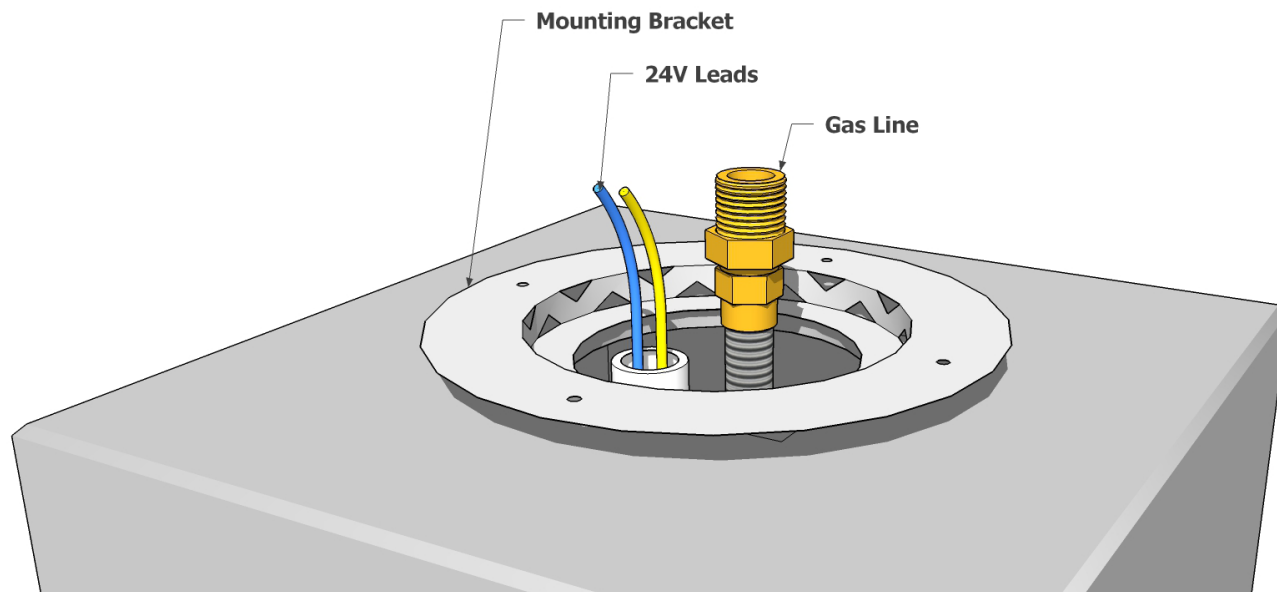
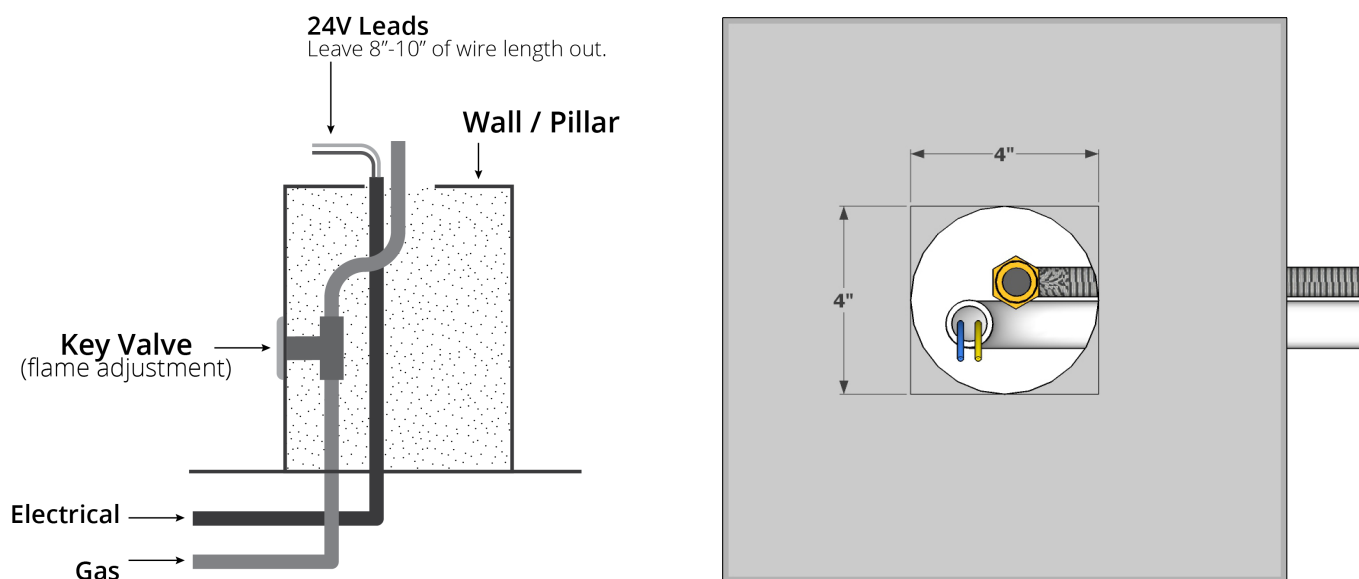


FIRE BOWL WITH ELECTRONIC IGNITION FIRE BOWL

MOUNTING ON PILLAR/WALL

- Secure mounting bracket to mounting location with anchors rated for material being affixed. (Anchors not supplied by The Outdoor Plus.)
- Avoid grout seams when installing anchors
- Center cutout hole must be no larger than 4" inches square or diameter. Any larger and the mounting bracket will not have enough area to be properly secured.
- Use bracket to locate and mark the hole location.
- Do NOT kink or sharply bend any of the stainless steel gas lines.
- Do NOT use yellow corrugated gas lines.
- Key Valves near the bowl are recommended for flame adjustment.

KEY VALVE HIGHLY RECOMMENDED TO ADJUST HEIGHT OF FLAME OF EACH INDIVIDUAL FIRE FEATURE
***KEY VALVE SOLD SEPARATELY**



FIRE BOWL WITH ELECTRONIC IGNITION



Shown above are all components included in your fire & water bowls:
Fire pan, Burner, Orifice (LP or NG), , Lava rock, Electronic Valve, Pilot & Transformer

INSTALLATIONS OF ELECTRONIC IGNITION SYSTEM

1. In the photo at right there is a bowl with both a gas riser and an electrical conduit stubbed up inside the bowl. It is preferred to stub the gas riser centered in order to ensure the fire ring is centered in the bowl once installation is complete.

NOTE: Do NOT seal the bottom of the bowl. Drainage MUST be provided in the bowl

2. Apply pipe dope/tape to the gas stub and thread the electronic valve onto the gas riser as shown in the photo at right.

NOTE: Leak Test – it is highly recommended to perform a gas leak test at this point in the install. Turn on the gas supply and then, using a soapy water solution spray the bottom of the Electronic Valve where it is connected to the gas line to ensure no leaks exist.

3. In the photo at right the wires protruding from the Electronic Valve have been connected to the two wires from the electrical conduit using appropriate sized wire nuts.

NOTE: It is not required but it is recommended to fill the wire nuts with either dielectric grease or silicone prior to installing the wire nut. This will ensure a weatherproof electrical connection.

4. On the side of the Electronic Valve there are two connections for the Pilot Burner Assembly. The white 'quick connect' is the electrical connection and the brass plumbing fitting is the gas connection. There is a label next to these connections, "Attach Pilot Burner Here".



FIRE BOWL WITH ELECTRONIC IGNITION

5. The photo at right shows the Electronic Valve after the Pilot Burner Assembly has been connected.

NOTE: The electrical connection for the Pilot Burner is a shaped connection thereby ensuring it can only be connected the correct way. Do not forcefully insert into the connection.

On the Pilot Burner Assembly side of the connection there is a locking clip on the quick connect that will 'lock' the connection in place.

Therefore after making the connection lightly tug on the connection to ensure it is in fact 'locked' in place.

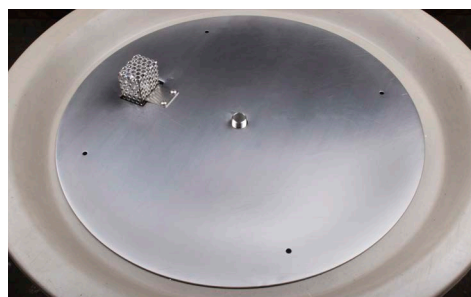
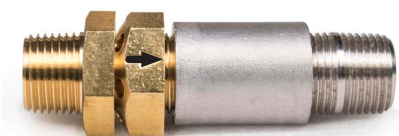
6A. When installing the fire ring for natural gas applications, select a pipe nipple that is long enough to raise the fire ring Level with the top of the bowl as shown in the photo.

Apply pipe dope to both ends of the pipe nipple

6B. When installing the fire ring for propane applications, a brass "Air Mixer" will be installed between the systems and the fire ring as shown to the right.

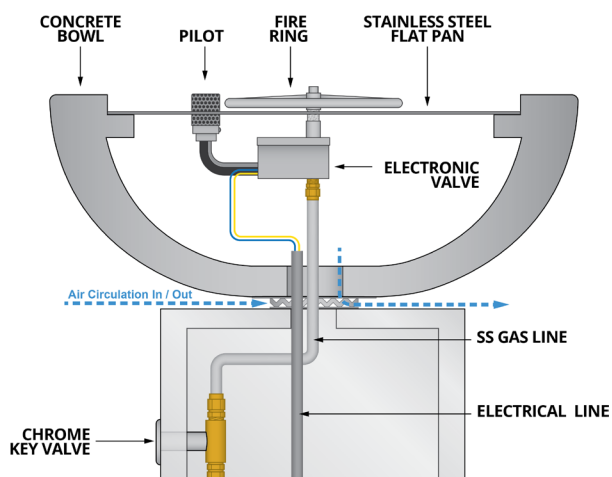
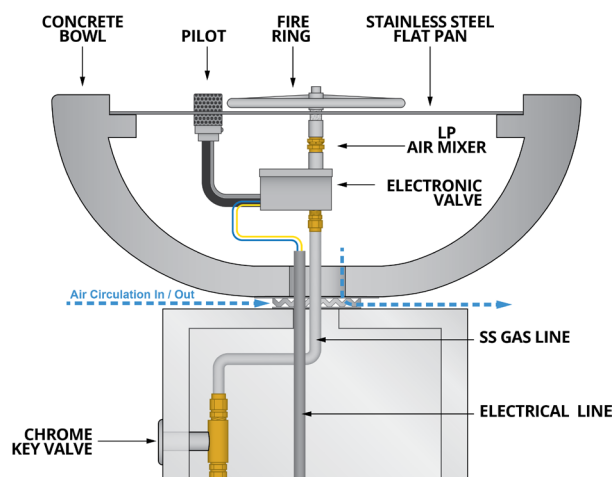
Apply pipe dope to both ends of the Air Mixer and install, along with a coupling. This will create a space between the burner and the air mixer that prevents backfire.

NOTE: Air mixer MUST be installed such that the holes are facing down.



7. Lower the stainless steel pan and insert the nipple through the center hole. Install the stainless steel fire ring with the holes facing UP.

WARNING: If holes are facing down, the electronic valve will overheat, will malfunction, and will need to be replaced.



FIRE BOWL WITH ELECTRONIC IGNITION

ACCEPTABLE MEDIA FOR FIRE FEATURES

WARNING

Do not use any other material as filler/topping media inside fire features other than those listed below.

Using improper media inside a fire feature could result in damage to property or injury to persons nearby due to media 'popping' or 'exploding' due to heat

LIST OF ACCEPTABLE MEDIA FOR FIRE FEATURES

Lava Rock (or other Igneous Rock) NO LARGER THAN 2" in diameter

Fireglass approved for use in fire features

Manmade stone for use in fire features (Refractory Material)

INSTALLATION NOTE

The use of media inside fire features is recommended due to the fact it enhances the look of the fire feature but also improves its performance by forcing the gas emanating from the burner to mix as it passes through the media. This 'mixing' of gases creates an even flame throughout the feature and helps spread the flame from the Pilot Burner throughout the burner quicker than when there is no media. Recommended thickness of the media above the burner element is NO MORE than 2". Due to the fact the Pilot Burner must be partially exposed to oxygen in order to ignite the pilot flame during startup DO NOT COMPLETELY COVER THE PILOT BURNER. When installation of the media is complete the top of the Pilot Burner Protective Cover should be visible.

INSTALLATION OF MEDIA IN FIRE FEATURES

There are several options when it comes to topping material for a fire feature; large lava chunks, fire glass and fire stones. In this example we are using 1" lava rock. You will need a layer that is 2" - 3" thick to properly cover the fire feature while at the same time allowing plenty of oxygen to mix with the gas coming from the fire ring. This lava rock is more expensive than the "filler" lava rock but is still fairly inexpensive and readily available in the BBQ section of most hardware stores.

NOTE: The top of the pilot burner is level with the top of the burning media. The system will not work properly if the pilot is positioned higher than the burner ring



No more than 1" of media should cover the burner. Adding more may cause damage



Do NOT cover the top of the pilot.
Keep the top exposed



FIRE BOWL WITH ELECTRONIC IGNITION

FIRE BOWL OPERATION

WARNING: before use, be sure to test all gas connection for leaks. Do not use fire bowl if there is any evidence of leaking gas. If leaking gas suspected, turn off the main gas supply and repair immediately

WARNING: Do not use the fire bowl if any part has been submerged under water. Immediately call a qualified technician to inspect the fire bowl

WARNING: never use any Material that is non-porous and holds moisture such as gravel, pebbles, river rocks, etc. This material, when heated, will cause moisture trapped inside to boil and fracture unexpectedly. This material is not sufficiently porous to allow heated steams to readily escape which can break and cause personal injury or damage

WARNING: solid fuels shall not be burned in the fire bowl. Leaves, sticks, wood, paper, clothing, food, should be kept away from the fire bowl. Fire bowl is not for cooking. Make sure that there is no vegetation or other objects over the top or sides of the fire bowl that could interfere with safe operation. See the clearance from combustibles diagram at the end of this document.

WARNING: if lava rock is wet, allow fire bowl to burn for 45 prior to coming within 15 feet of the fire bowl.

Warranty requirement: when not in use, the fire bowl must be covered.

Important: initial start-up: it may be necessary to purge **Air in the Gas Lines** after system installation.

START UP

1. Stop! If you smell gas: 1) shut off gas to appliance. 2) Extinguish any open flame. 3) If odor continues, keep away from appliance and immediately call gas supplier or fire department.
2. Ensure fire bowl is clear of people, debris, that all covers are removed and the feature is safe to start.
3. Place ling handles lighter or match while burning on top of th fire bowl
4. Slowly turn "on" the gas valve.
5. After burner lights, remove the lighter or match
6. Adjust flame to desired height
7. If burner does not light, turn valve to "off" position and allow gas to clear then repeat steps 3-7
8. Never alter the design of the fire bowl
9. Ensure firepit, children and patrons are supervised by a responsible adult that is familiar with emergency shut down.
10. Flammable materials should not be places on or near the fire bowl
11. This product is not for use with small tanks. It is intended to be connected to fixed piping system only.

MAINTENANCE

WARNING: Any guard or protective device removed for servicing must be replaced prior to operating the fire bowl.

WARNING: Installation and repair should be done by a qualified service person. Fire bowls should be inspected prior to use and at least annually by a qualified service person.

WARNING: Ensure gas and power (if applicable) are shut off and fire bowl is cool before servicing

- Keep fire bowl covered at all times when not in use.
- In some areas of the country spiders or insects have been known to build nest and or lay eggs in the venture holes of the air-mixer for LP units. This can cause fuel to fill the fire feature cavity and result in personal injury or property damage. Periodical inspection by a qualified service technician of the air-intake is required to ensure your fire feature performs properly.
- Keep any debris out of fire bowl- clean as needed.
- Ring Cleaning: (1 x YR) If flames exhibit any abnormal shapes or behavior, or if burner fails to ignite properly, then the burner holes may require cleaning. The appliance can be cleaned by carefully removing the media to allow access to burner. Use a brush to carefully remove dust, spider webs, and loose particles from base, logs, and fire ring itself. If evidence of damage, fire ring must be replaced with fire ring specified by manufacturer

FIRE BOWL WITH ELECTRONIC IGNITION

FIRE BOWL OPERATION

WARNING: before use, be sure to test all gas connection for leaks. Do not use fire bowl if there is any evidence of leaking gas. If leaking gas suspected, turn off the main gas supply and repair immediately

WARNING: Do not use the fire bowl if any part has been submerged under water. Immediately call a qualified technician to inspect the fire bowl

WARNING: never use any Material that is non-porous and holds moisture such as gravel, pebbles, river rocks, etc. This material, when heated, will cause moisture trapped inside to boil and fracture unexpectedly. This material is not sufficiently porous to allow heated steams to readily escape which can break and cause personal injury or damage

WARNING: solid fuels shall not be burned in the fire bowl. Leaves, sticks, wood, paper, clothing, food, should be kept away from the fire bowl. Fire bowl is not for cooking. Make sure that there is no vegetation or other objects over the top or sides of the fire bowl that could interfere with safe operation. See the clearance from combustibles diagram at the end of this document.

WARNING: if lava rock is wet, allow fire bowl to burn for 45 prior to coming within 15 feet of the fire bowl.

Warranty requirement: when not in use, the fire bowl must be covered.

Important: initial start-up: it may be necessary to purge **Air in the Gas Lines** after system installation.

FIRE FEATURE START UP

1. Prior to turning appliance on visually inspect fire feature to ensure debris such as leaves or other combustible material has not collected inside the feature which could burn and emit embers once the fire feature is turned on. Also ensure any person standing close to the fire feature is aware you will be turning the fire feature on prior to actually turning it on.
2. Turn fire feature on by turning on the electrical device used to power the fire feature.

Sequence of Operation during Ignition

1. Power is applied
2. Hot Surface Igniter (Glow Plug) becomes hot and 4 seconds later the Pilot Gas Valve opens
3. Within 10 seconds of power application Pilot Flame should be visible (at night only)
4. Within 10 seconds of Pilot Flame Ignition burner (fire ring/burner bar) should ignite

FIRE FEATURE SHUTDOWN

1. Turn fire feature off by turning off the electrical device used to initially power the fire feature



WARNING



If fire feature fails to turn off completely (small flames still visible)
Turn off gas supply using the manual gas shutoff.

MAINTENANCE

WARNING: Maintenance should be done by a qualified service technician. The appliance should be inspected before use and at least annually by a qualified service technician.

WARNING: Ensure gas and power are shut off and appliance is cool before servicing.

WARNING: Any guard or protective device removed for servicing must be replaced prior to operation.

Prior to Each Use

1. Inspect for debris in Fire Feature – remove debris prior to use

Semi-Annually

1. Visually inspect Pilot Burner for debris/insect infestation (spider webs)
2. Visually inspect burner holes for debris/insect infestation
3. Clean either of the above as necessary using compressed air.

Annually

1. Visually inspect Pilot Burner for excess corrosion due to heat and moisture.
2. Turn fire feature on to ensure proper operation.

REPLACEMENT PARTS



OPT-PIR - Plot Igniter Assembly



OPT-24V - 24 Volts AC Transformer

TROUBLE SHOOTING

I installed the Electronic Ignition System, turned it on and nothing happened

When this occurs it is usually due to an electrical wiring / power issue. Check all your electrical connections thoroughly to ensure all wires at the transformer and inside the fire feature are connected properly. If it appears all wiring is connected properly, disconnect the wires at the fire feature, attach a Multimeter to the wires to confirm a minimum of 12 volts when the fire feature is turned on. If you determine that you do not have a minimum of 12 volts at the fire feature conduct the same test at the transformer to ensure the transformer is in fact producing a minimum of 12 volts. If you do have a minimum of 12 volts at the fire feature contact us for further assistance.

I installed the Electronic Ignition System, turned it on and I can see the glow plug glowing orange and I can hear gas flowing but it will not ignite.

There are two possible causes to this problem; **Air in the Gas Line** or not enough Electrical Current to the fire feature.

Air in the Gas Line. If a new gas line was installed and the air was never purged from it prior to installing the Electronic Ignition System then it may take several times of turning the fire feature on and off before the air is purged from the gas line. Here is how our system works; after you turn it on the glow plug will come on first followed by the Pilot Gas Valve opening 4 seconds later. For the next 180 seconds (3 minutes) the glow plug will cycle on and off every 30 seconds while the Pilot Gas Valve will remain on the entire time. Therefore if you are attempting to purge air from the gas line, turn the system on and leave it on for approximately 3 minutes. Then turn it off and then back on (no need to wait to turn it back on). Let the system run for another 3 minutes. Usually when purging air from a new gas line you will need to cycle the power several times as described above before gas begins to flow. If at any point you smell gas but still don't have ignition, attempt to light the Pilot flame with a hand-held lighter. If the flame ignites when you light it by hand, go to the section below, "Electrical Current".

Electrical Current. If you have determined that air in the gas line is not the problem then most likely the failure to ignite is due to the fact the glow plug is not getting hot enough to ignite the gas. The reason a glow plug will not get hot enough is due to the fact it is not getting enough 'amps'. Often times when troubleshooting electricians will check the electrical power and when they see they have a minimum of 12 volts they think everything is fine electrically so there must be a problem with the Electronic Ignition System. The problem is not due to the volts but rather the amps. The number of amps reaching the fire feature is heavily dependent on the gauge wire used between the transformer and the fire feature. Our Install Instructions require no less than 12 gauge wire be run for all fire features. Often times we learn that in many cases less than 12 gauge wire has been used and herein lies the cause of the problem. Here is how you check to determine if enough Electrical Current (amps) are getting to the fire feature:

1. CAUTION: Turn off the gas supply prior to the next step.
2. Using a clamp on ammeter, clamp the ammeter around one of the wires providing power to the Electronic Ignition System.
3. Turn the fire feature on.
4. The amps you should see will range between 1.4 to 1.6 amps initially. Four seconds after being turned on the amps will jump to approximately 2.0 amps.

If you do not see the amps listed above AND the wire gauge used was less than 12 gauge wire – change the wiring. Otherwise contact us for further assistance.

I turned the Fire Feature off but I still see small flames emanating from the fire feature.

Turn the fire feature on, let the main fire ring light and then turn it off again – do this several times. Small pieces of debris from the gas line can get caught in the main or pilot valve thereby preventing it from closing all the way. This will sometimes happen with a new gas line. By cycling power you can often times dislodge the debris. If cycling power does not rectify the problem, turn the gas off using the manual gas shutoff and contact us for further assistance.

FIRE / FIRE & WATER BOWL WITH ELECTRONIC IGNITION INSTALLATION

***READ THIS MANUAL BEFORE INSTALLATION OF THE UNIT**



⚠ **WARNING:** ⚠

Improper installation, adjustment, alteration, service, or maintenance can cause injury or property damage. Read the installation, operating, and maintenance instructions thoroughly before installing or servicing this equipment.

⚠ **WARNING:** ⚠

Do NOT Store or use gasoline or other flammable vapors and liquids in vicinity of this or any other appliance.
An LP cylinder not connected for use shall not be stored in the vicinity of this or any other unit.

Installation: we suggest that our products be installed by professionals that are locally licensed by the authority having jurisdiction in gas piping



We suggest that our products be serviced by a professional certified in the U.S. By the National Fireplace Institute as a NFI Specialists

⚠ **WARNING** ⚠
FOR OUTDOOR USE ONLY

CARBON MONOXIDE HAZARD
This appliance can produce carbon monoxide which has no odor.
Using it in an enclosed space can kill you.
Never use this appliance in an enclosed space such as a camper, tent car or home.

⚠ **WARNING:** ⚠

For use with Natural Gas or Liquid Propane ONLY
NO SOLID FUELS TO BE USED

Installation must conform with local codes or, in the absence of local codes, with the National Fuel Gas Code, ANSI Z223.1 / NFPA 54, or International Fuel Gas Code.
The appliance, when installed, must be electrically grounded in accordance with local codes or, in the absence of local codes, with the National Electric Code, ANSI/NFPA 70, if applicable.

TAMPERING, MANIPULATING, AND/OR ALTERATIONS TO THE UNIT WILL VOID THE WARRANTY IMMEDIATELY

FIRE / FIRE & WATER BOWL WITH ELECTRONIC IGNITION

General Information

Please carefully follow the instructions in this manual to prevent personal injury or property loss. Instructions are updated as needed. It is the installer's responsibility to periodically review instruction for applicable updates.

The steps listed as

WARNING: Contains information critical to the safe installation and operation of the fire bowl.

WARRANTY REQUIREMENT: Must be strictly followed to qualify for product warranty.

Warranty will be void if not followed.

IMPORTANT: Are notes and insights to help ensure product satisfaction and serviceability.

WARNING: It is the installer's responsibility to ensure a safe installation and to educate the end user as to proper operation. Leave this manual with the end user.

WARNING: Never alter product or configuration in any way.

WARNING: We suggest that our products be installed by professionals that are locally licensed by the authority having jurisdiction in gas piping. We suggest that our products be serviced annually by a professional certified in the US by the National Fireplace Institute (NFI) as NFI Gas Specialists or in Canada by WETT (Wood Energy Technical Training).

Installer must follow all instructions carefully to ensure proper performance and safety.

The Outdoor Plus Company is not responsible for your actions.

WARNING: Product is not intended to be a starter for wood or any other combustibles.

WARNING: Product is not for use with small LP Tanks and must utilize permanent fixed piping for fuel supply.

WARNING: It is the responsibility of the installer to follow:

- The National Fuel Gas Code, ANSI Z223.1/NFPA 54 or International Fuel Gas Code.
- The National Electrical Code, ANSI/NFPA 70.
- Local Codes

WARNING: Verify correct gas/fuel type and pressure. Never use an alternative fuel to include bio-fuel, ethanol, lighter fluid or any other fuel. Gas pressure and type should be checked prior to use and installation
SEE NEXT PAGE "GAS PRESSURE REQUIREMENTS"

Selecting the Location

WARNING: All fire bowls, match lit kits, and spark ignition systems are designed and intended for outdoor use only.

WARNING: All fire bowls must have a gas shutoff on the outside of the exterior of the fire bowl to allow for emergency shut off and maintenance.

WARNING: Select a location where the fire bowl can be attended during operation. Never leave an operating fire bowl unattended or by someone not familiar with its operation or emergency shut off locations.

WARNING: Both children and adults should be alerted to the hazards of high surface temperatures and should stay away to avoid burns and clothing ignition.

WARNING: Young children should be carefully supervised when they are in the area of fire bowl.

WARNING: Clothing or other flammable materials should not be placed on or near fire bowl.

WARNING: Fire bowls create very high temperatures - Combustibles must be located far enough away that there is no risk of ignition. (See Clearance From Combustibles diagram at the end of this document)

Fire bowl Clearances from Combustibles (Diagram can be found at the end of this document)

Sides Surrounding Fire bowl - 48" From Structure or Combustibles

Overhead Clearance - 96" from combustibles overhead

IMPORTANT: It is recommended that material such as granite, marble or other dense stone be kept away from heat and especially flame due to risk of cracking. Manufacturer is not responsible for damage.

TIPS FOR CHOOSING LOCATION

- Select a location with good drainage.
- Choose a location that allows easy access for installation and maintenance of the fire bowl.
- Pick a location that allows sufficient horizontal room to enjoy the fire bowl while allowing a safe distance from the heat and flame.

FIRE / FIRE & WATER BOWL WITH ELECTRONIC IGNITION

Gas and Electricity Requirements

FUEL TYPE - Before making gas connections, ensure appliance being installed is compatible with the available gas type. Check the label on the appliance to confirm appliance gas type.

GAS PRESSURE - Proper input gas pressures are required for optimum appliance performance

GAS PRESSURE REQUIREMENTS

Pressure	Natural Gas	Propane
Minimum	3.5" W.C. / 1/8 psi	8.0" W.C. / 1/3 psi
Nominal	7.0" W.C. / 1/4 psi	11.0" W.C. / 1/3 psi
Maximum	14.0" W.C. / 1/2" psi	14.0" W.C. / 1/2 psi

ELECTRICAL REQUIREMENTS

The Electronic Ignition System operated on 24 Colts AC power ONLY
DO NOT attempt to power using 110 Volts AC power - Damage WILL RESULT

Acceptable Input Voltages to Supplied 24 Volt AC Transformer:

110 / 210 / 220 / 240 / 480 Volt AC

(Read label on supplied transformer for proper connection information)

RECOMMENDED WIRE SIZE

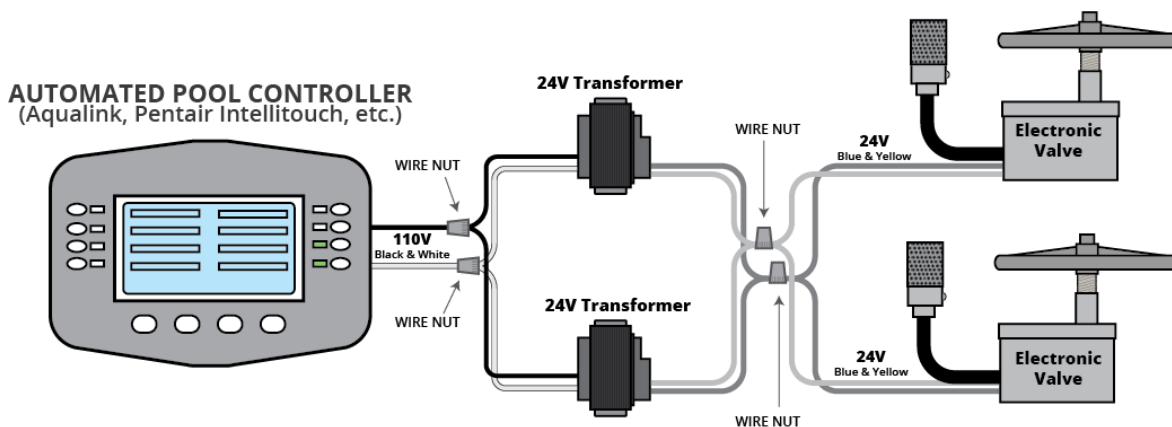
12 gauge for installations within 50ft.

10 gauge for installations from 50ft - 200ft.

8 gauge for installations over 200ft.

HOMERUN WIRING DIAGRAM ON MULTIPLE IGNITION SYSTEMS

- The outdoor plus electronic ignition system have a yellow and a blue wire protruding from them. These are the power wires.
- When doing a home run connection, the polarity of these wires must be the same.
- To achieve this, all the yellow wires must be connected to the same wire form the transformer and all the blue wires connected to the other wire from the transformer. See diagram below.

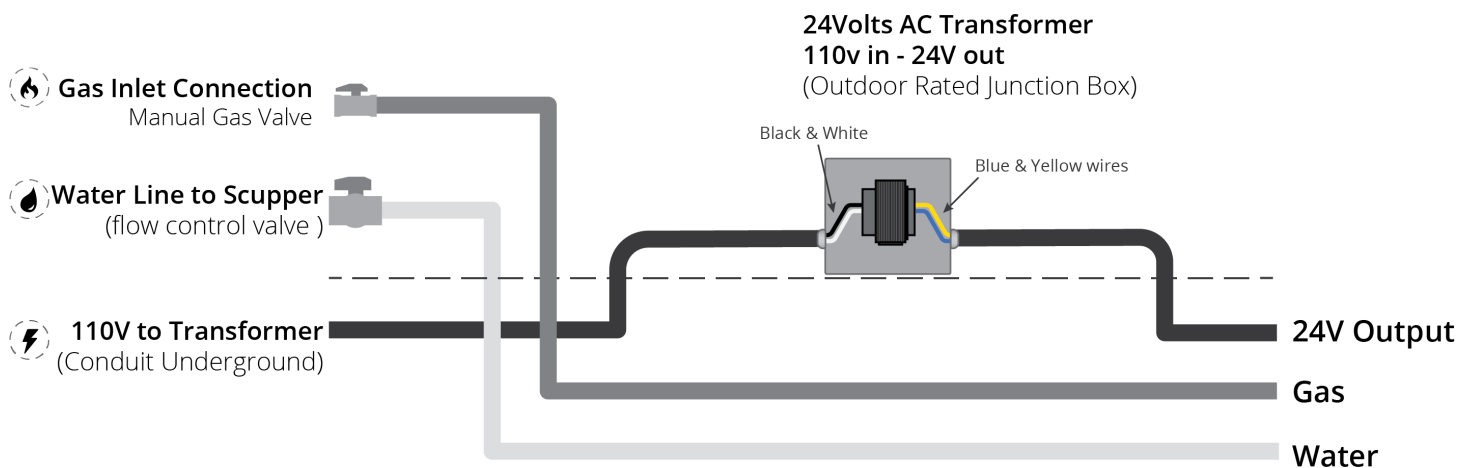


Each valve has its own dedicated transformer

FIRE / FIRE & WATER BOWL WITH ELECTRONIC IGNITION

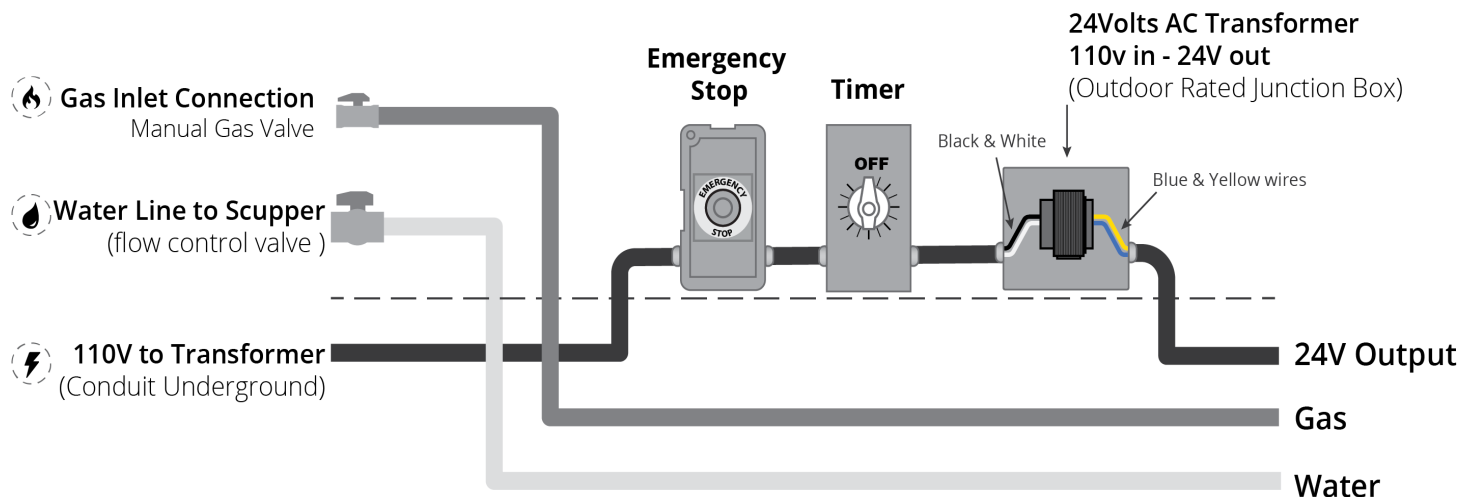
- The gas piping shall be installed underground between the control panel and each fire bowl. The piping shall be reduced to 1/2" NPT at each bowl.
- 110V Source into transformer can come from any 110V source, including pool controller or smart home system.
- To eliminate unnecessary pressure drop, ensure the pipe length and amount of elbows used is minimized. Yellow corrugated flex lines should not be used.
- Gas, electricity and water lines should be centered in the middle of the column.
- In commercial installations, it is recommended to install a key switch and an emergency shut off located within close proximity and clearly visible sight of the unit.

Gas, Water, Electrical Lines Diagram



Electronic Timers & Emergency Stop Switches

- When using Dial Timers and Emergency Stop Switches from The Outdoor Plus, ensure they are being installed between your 110V source and the transformer.
- Place the Emergency Stop closest to the 110V source.
- The Electronic Timer runs on 110V ONLY.
- The Emergency Stop

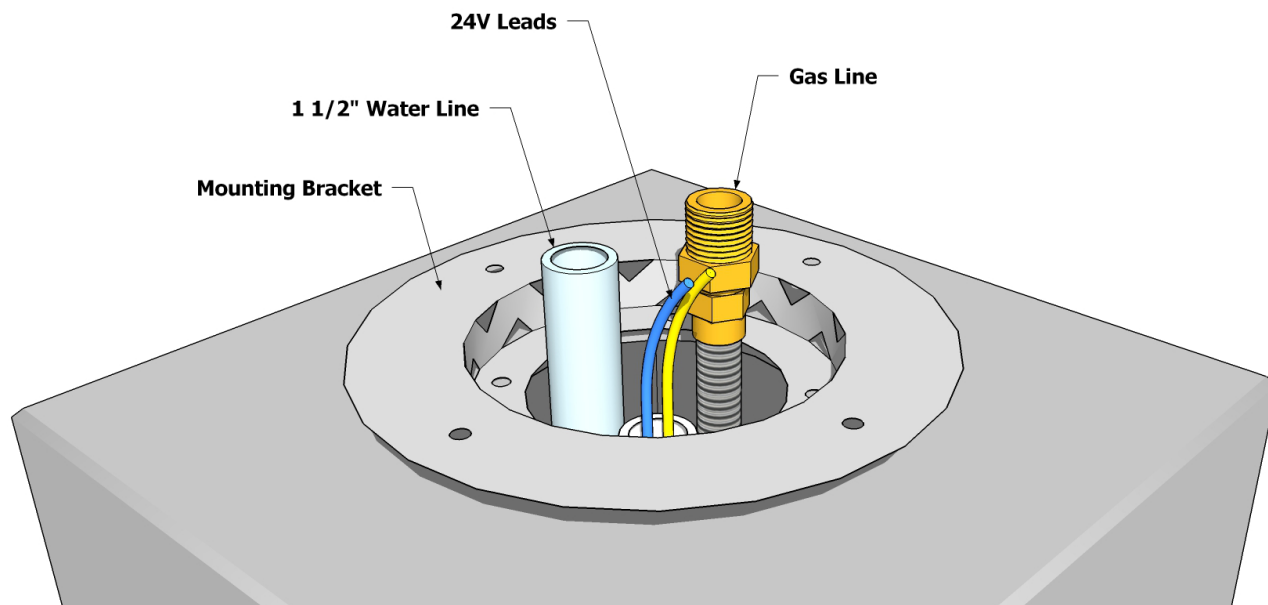
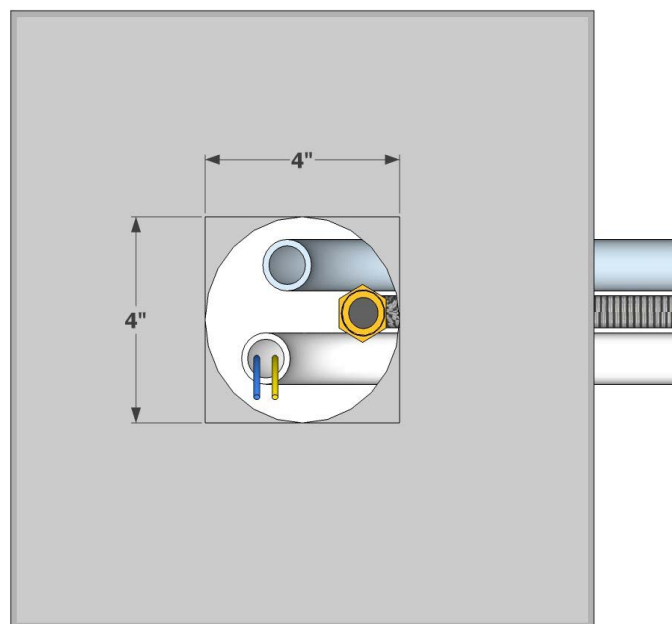
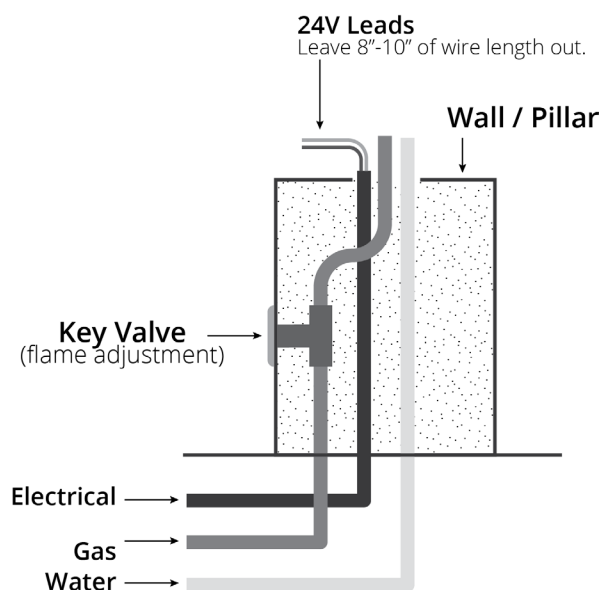


FIRE / FIRE & WATER BOWL WITH ELECTRONIC IGNITION

MOUNTING ON PILLAR/WALL

- Secure mounting bracket to mounting location with anchors rated for material being affixed. (Anchors not supplied by The Outdoor Plus.)
- Avoid grout seams when installing anchors
- Center cutout hole must be no larger than 4" inches square or diameter. Any larger and the mounting bracket will not have enough area to be properly secured.
- Use bracket to locate and mark the hole location.
- Do NOT kink or sharply bend any of the stainless steel gas lines.
- Do NOT use yellow corrugated gas lines.
- Key Valves near the bowl are recommended for flame adjustment.

KEY VALVE HIGHLY RECOMMENDED TO ADJUST HEIGHT OF FLAME OF EACH INDIVIDUAL FIRE FEATURE
***KEY VALVE SOLD SEPARATELY**



FIRE / FIRE & WATER BOWL WITH ELECTRONIC IGNITION



Shown above are all components included in your fire & water bowls:
Fire pan, Burner, Orifice (LP or NG), Scupper, Lava rock, Electronic Valve, Pilot & Transformer

INSTALLATIONS OF ELECTRONIC IGNITION SYSTEM

1. In the photo at right there is a bowl with both a gas riser and an electrical conduit stubbed up inside the bowl. It is preferred to stub the gas riser centered in order to ensure the fire ring is centered in the bowl once installation is complete.

NOTE: Do NOT seal the bottom of the bowl. Drainage MUST be provided in the bowl

2. Apply pipe dope/tape to the gas stub and thread the electronic valve onto the gas riser as shown in the photo at right.

NOTE: Leak Test – it is highly recommended to perform a gas leak test at this point in the install. Turn on the gas supply and then, using a soapy water solution spray the bottom of the Electronic Valve where it is connected to the gas line to ensure no leaks exist.

3. In the photo at right the wires protruding from the Electronic Valve have been connected to the two wires from the electrical conduit using appropriate sized wire nuts.

NOTE: It is not required but it is recommended to fill the wire nuts with either dielectric grease or silicone prior to installing the wire nut. This will ensure a weatherproof electrical connection.

4. On the side of the Electronic Valve there are two connections for the Pilot Burner Assembly. The white 'quick connect' is the electrical connection and the brass plumbing fitting is the gas connection. There is a label next to these connections, "Attach Pilot Burner Here".



FIRE / FIRE & WATER BOWL WITH ELECTRONIC IGNITION

5. The photo at right shows the Electronic Valve after the Pilot Burner Assembly has been connected.

NOTE: The electrical connection for the Pilot Burner is a shaped connection thereby ensuring it can only be connected the correct way. Do not forcefully insert into the connection.

On the Pilot Burner Assembly side of the connection there is a locking clip on the quick connect that will 'lock' the connection in place.

Therefore after making the connection lightly tug on the connection to ensure it is in fact 'locked' in place.



6A. When installing the fire ring for natural gas applications, select a pipe nipple that is long enough to raise the fire ring Level with the top of the bowl as shown in the photo.

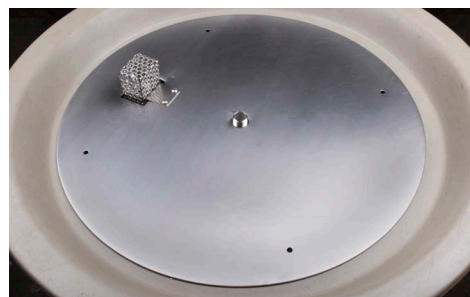
Apply pipe dope to both ends of the pipe nipple



6B. When installing the fire ring for propane applications, a brass "Air Mixer" will be installed between the systems and the fire ring as shown to the right.

Apply pipe dope to both ends of the Air Mixer and install, along with a coupling. This will create a space between the burner and the air mixer that prevents backfire.

NOTE: Air mixer MUST be installed such that the holes are facing down.



7. Lower the stainless steel pan and insert the nipple through the center hole. Install the stainless steel fire ring with the holes facing UP.

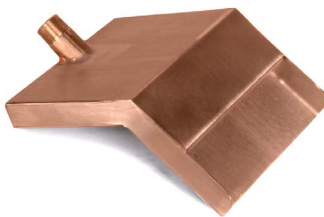
WARNING: If holes are facing down, the electronic valve will overheat, will malfunction, and will need to be replaced.



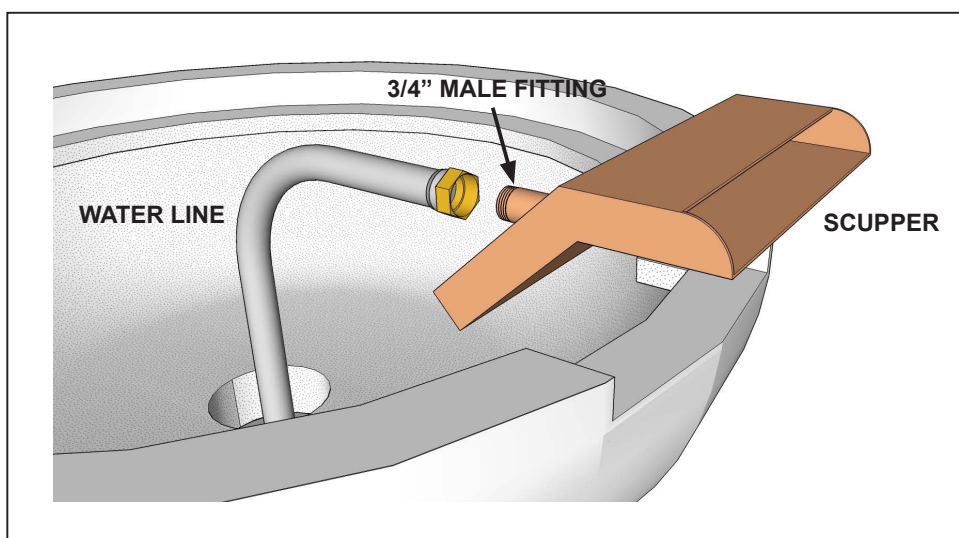
FIRE / FIRE & WATER BOWL WITH ELECTRONIC IGNITION

INSTALLATIONS OF SCUPPER

Water flow requirements: 12-15 gpm
Scupper will have a 3/4" male fitting

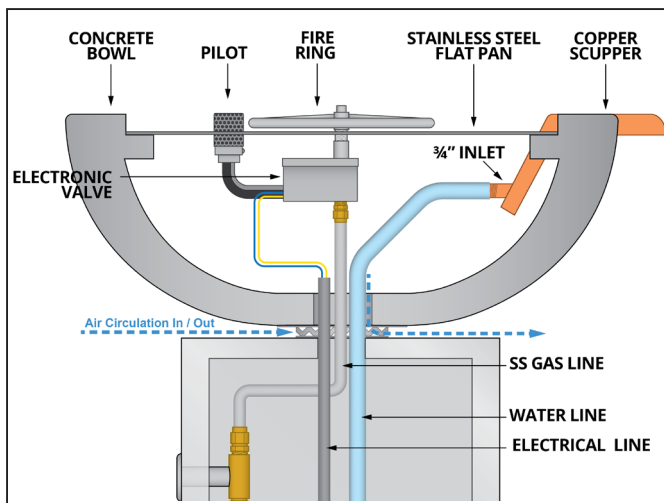


1. Install a 3/4" water supply line capable of 12-15 GPM as shown in diagram
2. The scupper will have a 3/4" male fitting
3. You can reduce to 1/2" but this might reduce performance of the water flow
4. Connect your water line to scupper. You may need to use silicone.
5. Make sure all connections are tight and free of leaks
6. To firmly attach the scupper, apply a discreet amount of silicone or epoxy adhesive to the notch in the bowl
7. You are now ready to turn on the water portion of the fire and water bowl

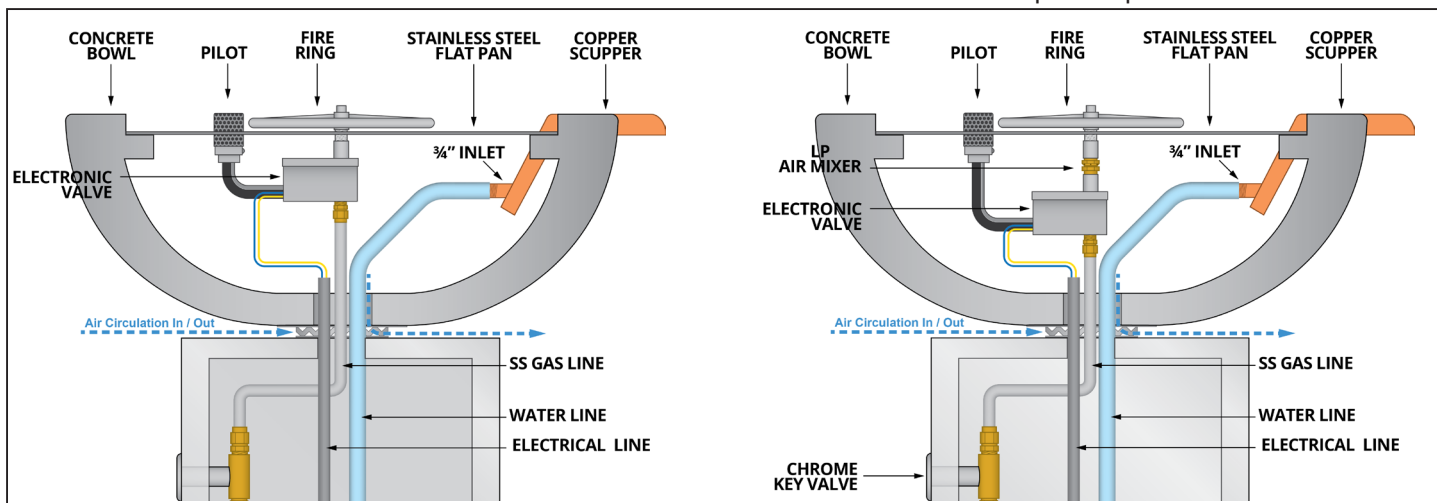


PROPERLY INSTALLED ELECTRONIC FIRE & WATER BOWL

Natural Gas

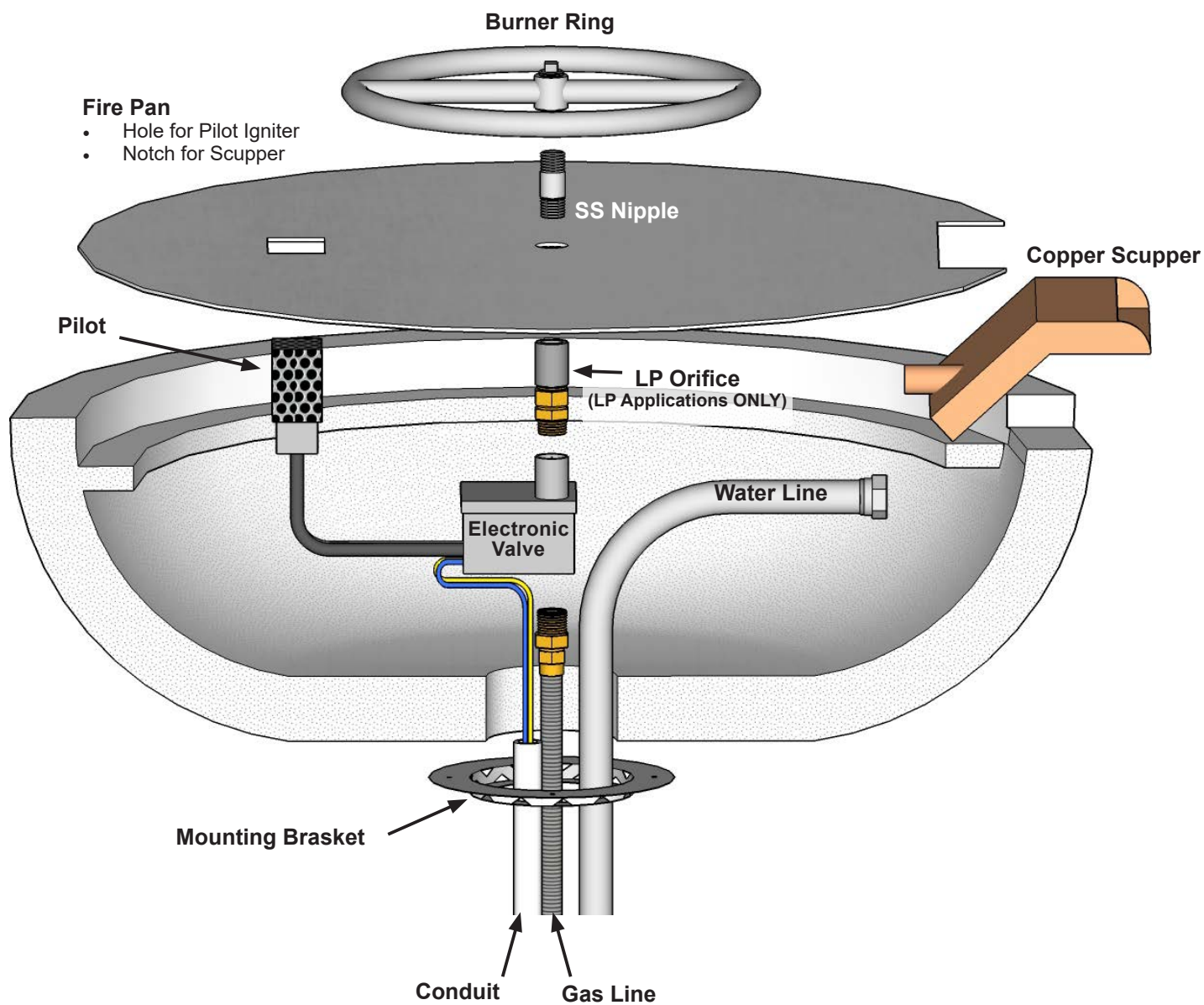


Liquid Propane



FIRE / FIRE & WATER BOWL WITH ELECTRONIC IGNITION

Component Overview



FIRE / FIRE & WATER BOWL WITH ELECTRONIC IGNITION

ACCEPTABLE MEDIA FOR FIRE FEATURES

WARNING

Do not use any other material as filler/topping media inside fire features other than those listed below.

Using improper media inside a fire feature could result in damage to property or injury to persons nearby due to media 'popping' or 'exploding' due to heat

LIST OF ACCEPTABLE MEDIA FOR FIRE FEATURES

Lava Rock (or other Igneous Rock) NO LARGER THAN 2" in diameter

Fireglass approved for use in fire features

Manmade stone for use in fire features (Refractory Material)

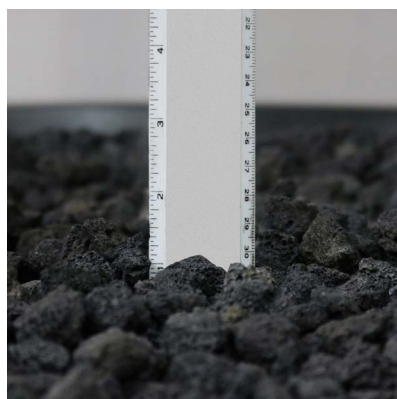
INSTALLATION NOTE

The use of media inside fire features is recommended due to the fact it enhances the look of the fire feature but also improves its performance by forcing the gas emanating from the burner to mix as it passes through the media. This 'mixing' of gases creates an even flame throughout the feature and helps spread the flame from the Pilot Burner throughout the burner quicker than when there is no media. Recommended thickness of the media above the burner element is NO MORE than 2". Due to the fact the Pilot Burner must be partially exposed to oxygen in order to ignite the pilot flame during startup DO NOT COMPLETELY COVER THE PILOT BURNER. When installation of the media is complete the top of the Pilot Burner Protective Cover should be visible.

INSTALLATION OF MEDIA IN FIRE FEATURES

There are several options when it comes to topping material for a fire feature; large lava chunks, fire glass and fire stones. In this example we are using 1" lava rock. You will need a layer that is 2" - 3" thick to properly cover the fire feature while at the same time allowing plenty of oxygen to mix with the gas coming from the fire ring. This lava rock is more expensive than the "filler" lava rock but is still fairly inexpensive and readily available in the BBQ section of most hardware stores.

NOTE: The top of the pilot burner is level with the top of the burning media. The system will not work properly if the pilot is positioned higher than the burner ring



No more than 1" of media should cover the burner. Adding more may cause damage



Do NOT cover the top of the pilot. Keep the top exposed



FIRE / FIRE & WATER BOWL WITH ELECTRONIC IGNITION

FIRE BOWL OPERATION

WARNING: before use, be sure to test all gas connection for leaks. Do not use fire bowl if there is any evidence of leaking gas. If leaking gas suspected, turn off the main gas supply and repair immediately

WARNING: Do not use the fire bowl if any part has been submerged under water. Immediately call a qualified technician to inspect the fire bowl

WARNING: never use any Material that is non-porous and holds moisture such as gravel, pebbles, river rocks, etc. This material, when heated, will cause moisture trapped inside to boil and fracture unexpectedly. This material is not sufficiently porous to allow heated steams to readily escape which can break and cause personal injury or damage

WARNING: solid fuels shall not be burned in the fire bowl. Leaves, sticks, wood, paper, clothing, food, should be kept away from the fire bowl. Fire bowl is not for cooking. Make sure that there is no vegetation or other objects over the top or sides of the fire bowl that could interfere with safe operation. See the clearance from combustibles diagram at the end of this document.

WARNING: if lava rock is wet, allow fire bowl to burn for 45 prior to coming within 15 feet of the fire bowl.

Warranty requirement: when not in use, the fire bowl must be covered.

Important: initial start-up: it may be necessary to purge **Air in the Gas Lines** after system installation.

FIRE FEATURE START UP

1. Prior to turning appliance on visually inspect fire feature to ensure debris such as leaves or other combustible material has not collected inside the feature which could burn and emit embers once the fire feature is turned on. Also ensure any person standing close to the fire feature is aware you will be turning the fire feature on prior to actually turning it on.
2. Turn fire feature on by turning on the electrical device used to power the fire feature.

Sequence of Operation during Ignition

1. Power is applied
2. Hot Surface Igniter (Glow Plug) becomes hot and 4 seconds later the Pilot Gas Valve opens
3. Within 10 seconds of power application Pilot Flame should be visible (at night only)
4. Within 10 seconds of Pilot Flame Ignition burner (fire ring/burner bar) should ignite

FIRE FEATURE SHUTDOWN

1. Turn fire feature off by turning off the electrical device used to initially power the fire feature



WARNING



If fire feature fails to turn off completely (small flames still visible)
Turn off gas supply using the manual gas shutoff.

MAINTENANCE

WARNING: Maintenance should be done by a qualified service technician. The appliance should be inspected before use and at least annually by a qualified service technician.

WARNING: Ensure gas and power are shut off and appliance is cool before servicing.

WARNING: Any guard or protective device removed for servicing must be replaced prior to operation.

Prior to Each Use

1. Inspect for debris in Fire Feature – remove debris prior to use

Semi-Annually

1. Visually inspect Pilot Burner for debris/insect infestation (spider webs)
2. Visually inspect burner holes for debris/insect infestation
3. Clean either of the above as necessary using compressed air.

Annually

1. Visually inspect Pilot Burner for excess corrosion due to heat and moisture.
2. Turn fire feature on to ensure proper operation.

REPLACEMENT PARTS



OPT-PIR - Pilot Igniter Assembly



OPT-24V - 24 Volts AC Transformer

TROUBLE SHOOTING

I installed the Electronic Ignition System, turned it on and nothing happened

When this occurs it is usually due to an electrical wiring / power issue. Check all your electrical connections thoroughly to ensure all wires at the transformer and inside the fire feature are connected properly. If it appears all wiring is connected properly, disconnect the wires at the fire feature, attach a Multimeter to the wires to confirm a minimum of 12 volts when the fire feature is turned on. If you determine that you do not have a minimum of 12 volts at the fire feature conduct the same test at the transformer to ensure the transformer is in fact producing a minimum of 12 volts. If you do have a minimum of 12 volts at the fire feature contact us for further assistance.

I installed the Electronic Ignition System, turned it on and I can see the glow plug glowing orange and I can hear gas flowing but it will not ignite.

There are two possible causes to this problem; **Air in the Gas Line** or not enough Electrical Current to the fire feature.

Air in the Gas Line. If a new gas line was installed and the air was never purged from it prior to installing the Electronic Ignition System then it may take several times of turning the fire feature on and off before the air is purged from the gas line. Here is how our system works; after you turn it on the glow plug will come on first followed by the Pilot Gas Valve opening 4 seconds later. For the next 180 seconds (3 minutes) the glow plug will cycle on and off every 30 seconds while the Pilot Gas Valve will remain on the entire time. Therefore if you are attempting to purge air from the gas line, turn the system on and leave it on for approximately 3 minutes. Then turn it off and then back on (no need to wait to turn it back on). Let the system run for another 3 minutes. Usually when purging air from a new gas line you will need to cycle the power several times as described above before gas begins to flow. If at any point you smell gas but still don't have ignition, attempt to light the Pilot flame with a hand-held lighter. If the flame ignites when you light it by hand, go to the section below, "Electrical Current".

Electrical Current. If you have determined that air in the gas line is not the problem then most likely the failure to ignite is due to the fact the glow plug is not getting hot enough to ignite the gas. The reason a glow plug will not get hot enough is due to the fact it is not getting enough 'amps'. Often times when troubleshooting electricians will check the electrical power and when they see they have a minimum of 12 volts they think everything is fine electrically so there must be a problem with the Electronic Ignition System. The problem is not due to the volts but rather the amps. The number of amps reaching the fire feature is heavily dependent on the gauge wire used between the transformer and the fire feature. Our Install Instructions require no less than 12 gauge wire be run for all fire features. Often times we learn that in many cases less than 12 gauge wire has been used and herein lies the cause of the problem. Here is how you check to determine if enough Electrical Current (amps) are getting to the fire feature:

1. CAUTION: Turn off the gas supply prior to the next step.
2. Using a clamp on ammeter, clamp the ammeter around one of the wires providing power to the Electronic Ignition System.
3. Turn the fire feature on.
4. The amps you should see will range between 1.4 to 1.6 amps initially. Four seconds after being turned on the amps will jump to approximately 2.0 amps.

If you do not see the amps listed above AND the wire gauge used was less than 12 gauge wire – change the wiring. Otherwise contact us for further assistance.

I turned the Fire Feature off but I still see small flames emanating from the fire feature.

Turn the fire feature on, let the main fire ring light and then turn it off again – do this several times. Small pieces of debris from the gas line can get caught in the main or pilot valve thereby preventing it from closing all the way. This will sometimes happen with a new gas line. By cycling power you can often times dislodge the debris. If cycling power does not rectify the problem, turn the gas off using the manual gas shutoff and contact us for further assistance.

Clearance from Combustibles.

This diagram applies to all fire pits and fire features

Installation

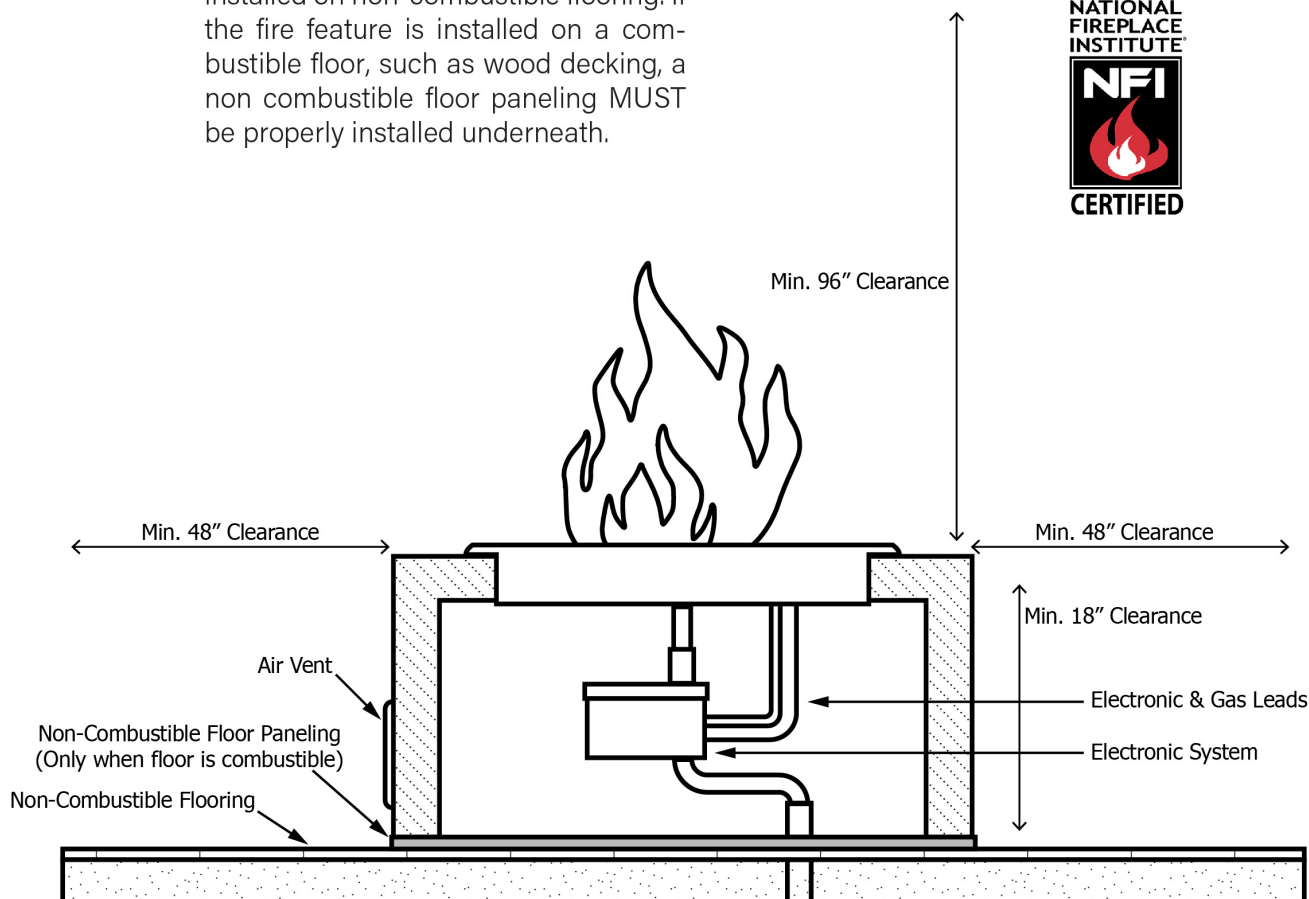
We suggest that our products be installed by professionals that are locally licensed by the authority having jurisdiction in gas piping.

Service

We suggest that our products be serviced by a professional certified in the US by the National Fireplace Institute (NFI) as NFI Gas Specialists

Flooring

All fire pits and fire features must be installed on non-combustible flooring. If the fire feature is installed on a combustible floor, such as wood decking, a non combustible floor paneling **MUST** be properly installed underneath.



LIMITED WARRANTY

The Outdoor Plus Company (TOP) warranties HWI fire bowls against manufacturing defects that prevent safe and correct function as follows:

- Electronics, Gas Valve, & Pilot Assembly: Commercial-6mos; Residential- 1 yr.
- Stainless Steel Pan, Fire Ring, & Valve Box: Commercial-1yr.; Residential 3yrs.

This commences from the date of original sale / shipment from The Outdoor Plus.

This warranty is for parts and in-house (TOP) labor. The defective product must be sent back to TOP with a Return Merchandise Authorization (RMA) issued by TOP for that specific product and any other additional information for the nature of the defect or warranty claim.

The warranty does not cover items that have been damaged by overheating, modification, abuse, or improper storage. Also any labor involving installation or maintenance with the unit is not covered.

This warranty excludes claims for consequential, indirect-collateral expenses arising from product defects or warranty