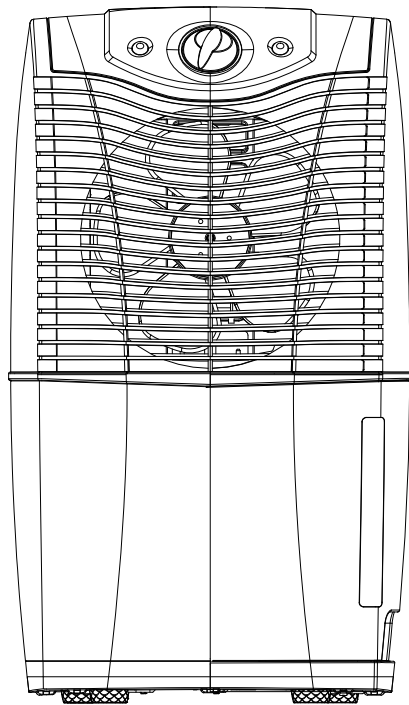




OWNER'S MANUAL

NEWAIR AD-250 DEHUMIDIFIER



☆ Please read and save these instructions ☆

TABLE OF CONTENTS

SAFETY INSTRUCTIONS	3
INSTALLATION INSTRUCTIONS	4
PARTS LIST	5
OPERATING INSTRUCTIONS	7
DRAINING THE WATER TANK.....	7
MAINTENANCE INSTRUCTIONS.....	11
TROUBLESHOOTING.....	12

SAFETY INSTRUCTIONS

Please read this owner's manual carefully and be sure to follow these safety instructions before using your dehumidifier for the first time.

1. Always operate the dehumidifier in an upright position and place it on a flat, level surface.
2. Do not submerge the unit under water or place it near other liquids.
3. Do not operate the unit if the power cord or plug is damaged. If the cord or plug is damaged, it must be replaced or repaired by an electrician or specialized technician authorized by the manufacturer.
4. Always switch off the unit and unplug it from the power supply when not in use and when storing or moving the dehumidifier.
5. Only operate the appliance at the specified voltage.
6. This dehumidifier is for indoor use only.
7. Do not place objects on the unit and do not cover or obstruct the air vents/grilles.
8. To prevent spilling, always empty the water tank before restarting the unit.
9. Do not operate the dehumidifier near any heat-generating devices or flammable and dangerous materials.
10. Do not insert fingers or any other objects into the air vents/grilles.
11. This appliance is not intended for use by persons (including children) with reduced physical, sensory or mental capabilities, or lack of experience and knowledge, unless they have been given supervision or instruction concerning its use by a person responsible for their safety. Children should be supervised to ensure that they do not play with the appliance.

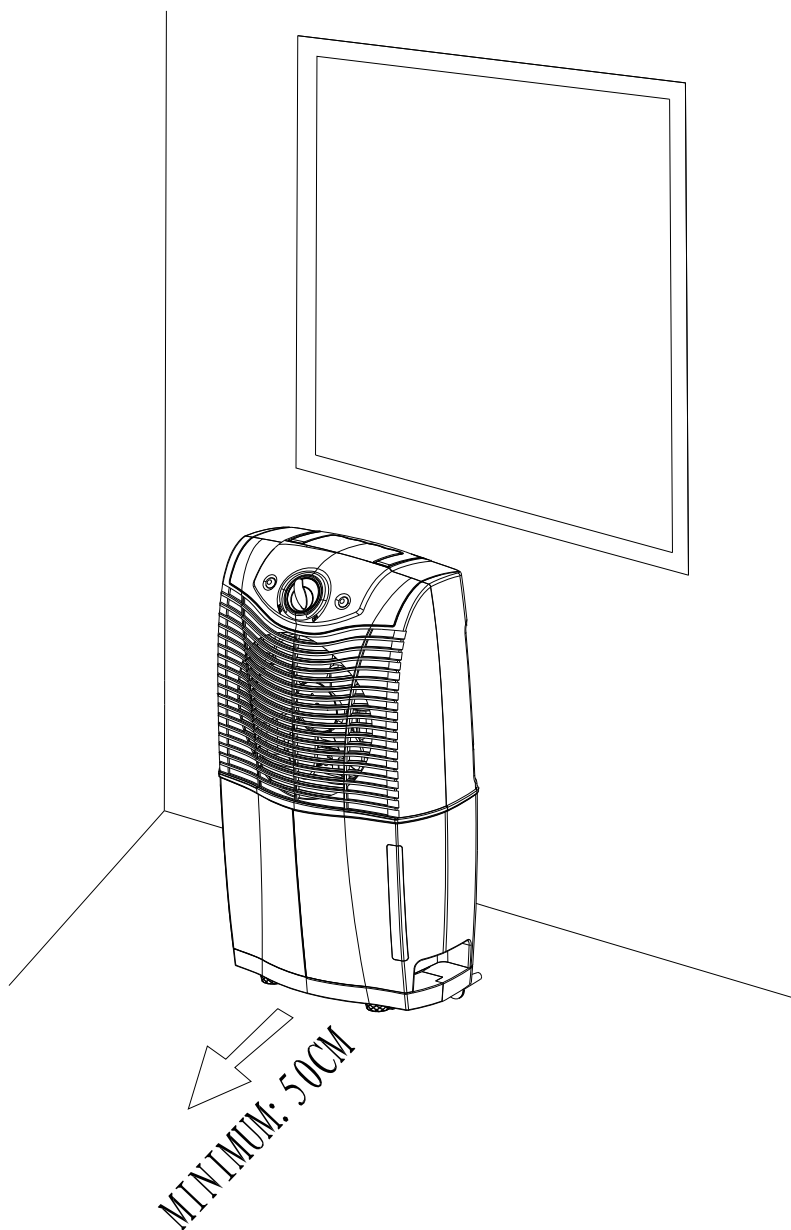


For your safety, do not attempt to repair, dismantle, or modify this appliance. Failure to install, maintain, and/or operate the unit according to manufacturer's instructions may result in bodily injury or property damage. All repairs must be performed by a qualified electrician or service agent authorized by the manufacturer.

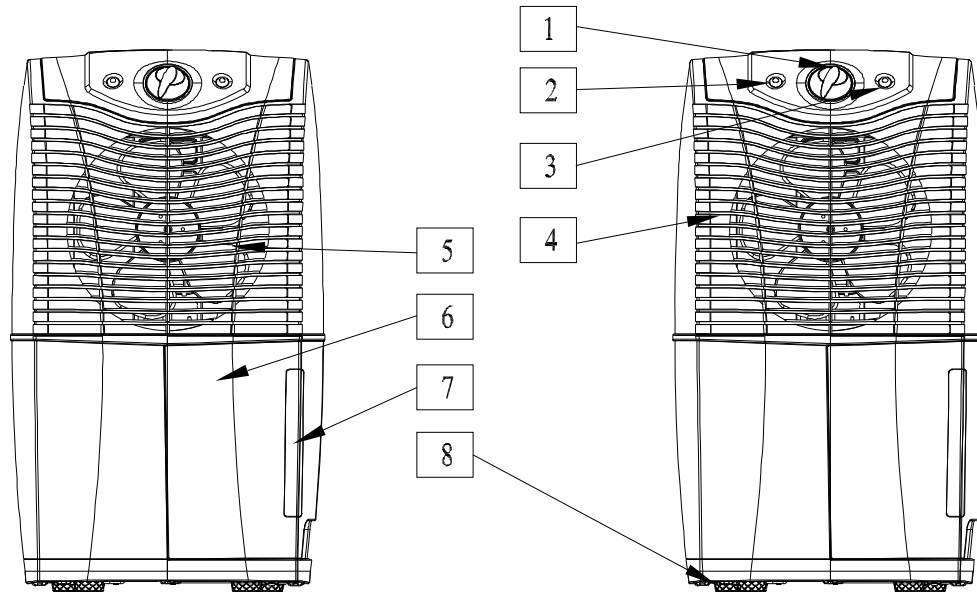
INSTALLATION INSTRUCTIONS

Minimum Clearance

Be sure to operate the dehumidifier in an upright position and place it on a flat, level surface. Maintain a minimum clearance of at least 20 inches (50 cm) away from other objects or appliances (see diagram below).

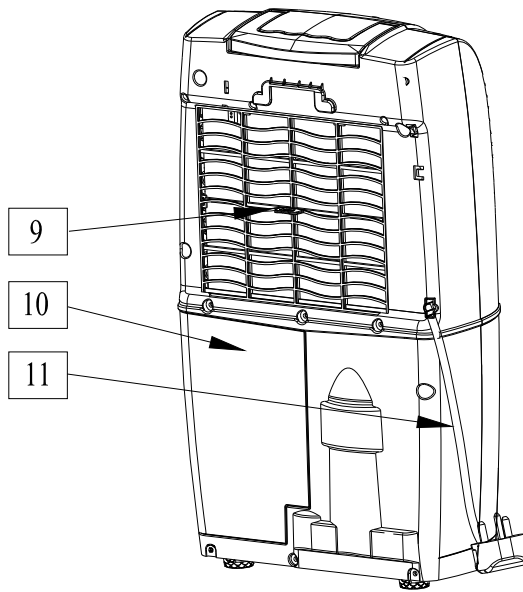


PARTS LIST

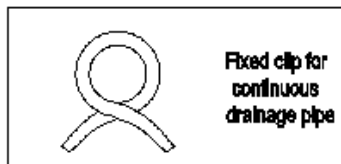
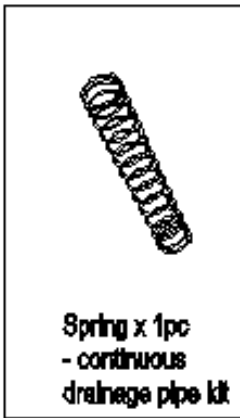


List of Parts

1. Control Knob
2. Power Indicator Light
3. Full Tank Indicator Light
4. Air Vents
5. Fan
6. Water Tank
7. Water Level Indicator
8. Rubber Feet
9. Air Filter
10. Rear Panel
11. Power Cord



Additional Included Accessories



Spring for continuous drainage pipe
Clip for continuous drainage pipe

OPERATING INSTRUCTIONS

Placement

The NewAir AD-250 dehumidifier can be used in a variety of settings such as bedrooms, living rooms, kitchens, and offices. Do not use this unit in bathrooms.

Turning the Dehumidifier On and Off

The knob on the control panel is used to power the dehumidifier. Turn the knob to the “**ON**” position to turn it on and turn it to the “**OFF**” position to turn it off.

Power Indicator Lights

When the control knob is turned to the “**ON**” position, the power indicator light will turn green. When the control knob is turned to the “**OFF**” position, the indicator light will turn off. When the water tank is full, the unit will shut off automatically and the full tank indicator light will turn red.

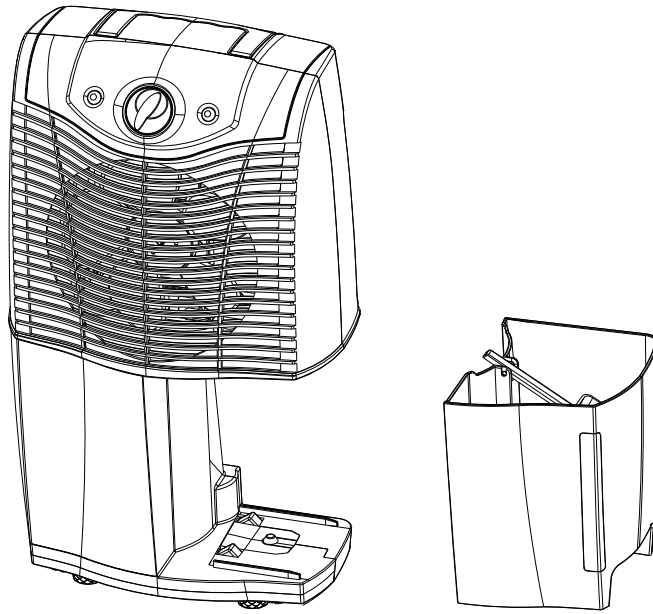
Please Note:

1. Do not use this dehumidifier in temperatures over 95°F (35°C) or below 41°F (5°C).
2. The full tank indicator light will turn red when the water tank is full or positioned incorrectly. If this light turns on, empty the tank and make sure the tank is correctly positioned.
3. Always wait 3 minutes before restarting the dehumidifier to avoid damage to the compressor.

DRAINING THE WATER TANK

Emptying the Water Tank Manually

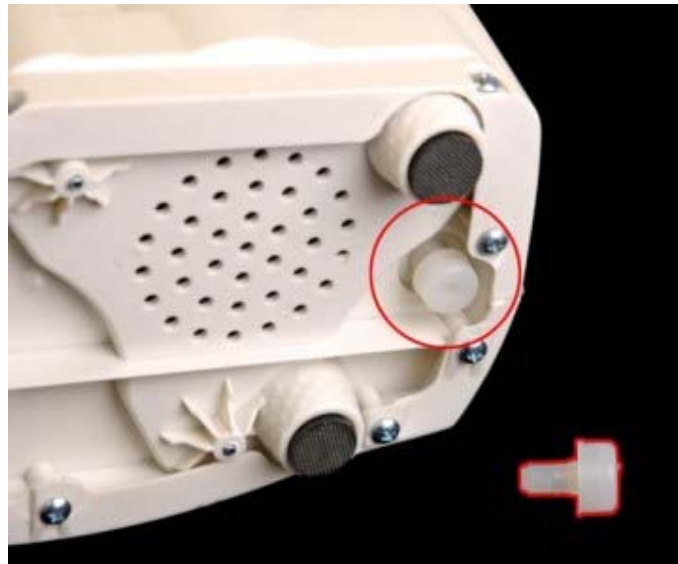
1. The compressor will stop working when the water tank is full. The full tank indicator light will also turn on at this time.
2. To empty the water tank, pull out the water tank and empty its contents.
3. Replace the water tank back into the unit and restart the machine.



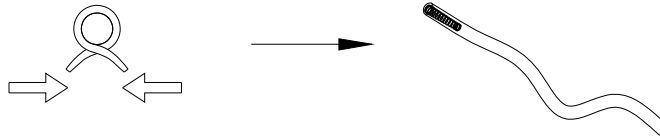
Continuous Drainage

This dehumidifier also features a continuous drainage port. To continuously drain the unit, follow these steps:

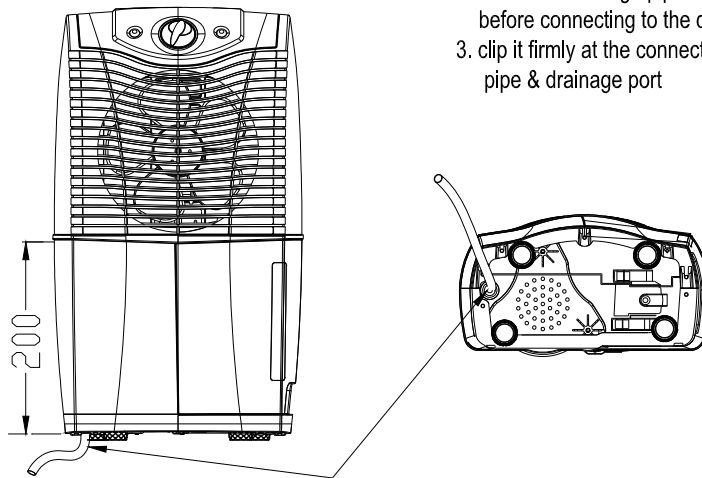
1. Pull out the rubber water stopper located on the bottom of the unit.



2. Remove the water tank from the unit and insert the rubber stopper into the continuous drainage port.



1. Press the two ends of clip as the way of arrowhead to enlarge it.
2. insert the drainage pipe into the clip before connecting to the drainage port.
3. clip it firmly at the connection of drainage pipe & drainage port



Take out the water stopper and connect with the drain pipe

3. Insert the included spring into one end of a PVC hose with an inner diameter of 10 mm and thickness of 1.5 mm (not included).
4. Connect the hose (the side with the spring) to the drainage port and position the other side to where you want the water to drain.
5. Take the included clip and expand it slightly. Clip it firmly at the base of the drainage port. This clip will be used to secure the drainage hose to the drainage port (see above diagram).
6. Reinsert the rubber stopper back into the drainage port at the bottom of the unit when not in use.

Make sure the drainage hose is positioned no higher than 8 inches or above the height of the unit's base.

Please Note:

1. Make sure the drainage hose is never folded or placed over the drainage port.
2. Reinsert the drainage port with the rubber water stopper when not use.

MAINTENANCE INSTRUCTIONS

Note: To prevent electrical shock, turn off the unit and unplug it before performing maintenance or repairs.

Regular Maintenance

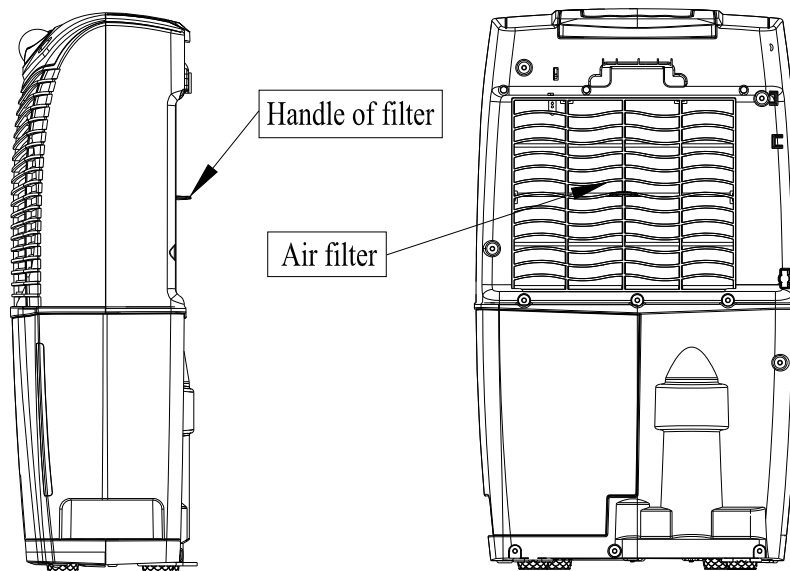
- Unplug the unit from the power supply if it will not be in use for an extended period of time.
- For optimal performance, make sure the dehumidifier's air inlets/vents are not obstructed or blocked.

Cleaning the Unit

- Unplug the unit before cleaning.
- Clean the surface of the unit with a soft, moist cloth. Do not use detergents or abrasive sponges which may cause damage to the dehumidifier's surface.
- Do not get the inside of the unit or the control panel wet.

Cleaning the Air Filter

- This dehumidifier is equipped with a washable air filter. To clean the filter, remove it from the rear panel, rinse it with warm water, and reinsert the filter into the back of the unit.



- Clean the air filter at least once every two weeks with warm water (lower than 104°F or 40°C). Do not use chemical solvents or hot water to clean the air filter.
- After cleaning the filter, let it air dry and keep it away from any heat sources.

TROUBLESHOOTING

If any of these problems occur, please check the troubleshooting steps below before having your dehumidifier serviced.

Problem	Possible Cause	Solution
The unit doesn't operate.	Is the power cord connected to the power supply?	Plug the power cord into the outlet.
	Is the full tank indicator light blinking? The tank is either full or positioned improperly.	Empty the water in the tank and reposition the tank.
	Is the room temperature above 104°F (40°C) or below 41°F (5°C)?	The protection device is activated and the unit cannot start.
The dehumidifying function doesn't work	Is the air filter clogged?	Clean the air filter as instructed.
	Is the intake duct or discharge duct obstructed?	Remove the obstruction from the discharge duct or intake duct.
No air is being discharged from the unit.	Is the air filter clogged?	Clean the air filter as instructed.
The unit is noisy.	Is the unit tilted or unsteady?	Move the unit to a stable, sturdy location.
	Is the air filter clogged?	Clean the air filter as instructed.

Caution: Immediately switch off the unit and unplug it if anything abnormal occurs; then contact a qualified electrician.