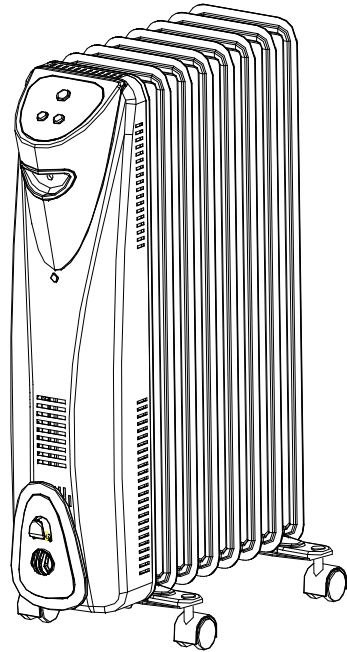




## OWNER'S MANUAL



# Oil-Filled Radiator Heater

Model: AH-450



## IMPORTANT INSTRUCTIONS

PLEASE READ AND SAVE THESE IMPORTANT SAFETY INSTRUCTIONS

When using electrical appliances, basic precautions should always be followed in order to reduce the risk of fire, electric shock, and injury. Carefully read all of the instructions below before using this heater.

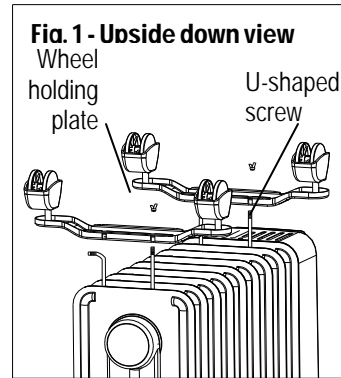
1. This heater is hot when in use. To avoid burns, do not let bare skin touch the heater's hot surfaces. Use the provided handles when moving this heater. Keep combustible materials such as furniture, pillows, bedding, paper, clothes, and curtains at least 3 feet (0.9m) from the front of the heater. Also keep these materials away from the sides and rear of the heater.
2. Extreme caution is necessary when this heater is used by or near children or invalids and whenever the heater is left operating unattended.
3. Always unplug the heater when not in use.
4. Do not operate this heater if it has a damaged cord or plug, or after the heater malfunctions, has been dropped, or damaged in any manner. Return the heater to an authorized service facility for any repairs or for electrical or mechanical adjustments.
5. Do not use this heater outdoors.
6. This heater is not intended for use in wet or damp locations such as bathrooms or laundry areas. Never place this heater anywhere where it may fall into or near water.
7. Do not run the power cord under carpeting. Do not cover the power cord with throw rugs, runners, or similar coverings. Arrange the power cord away from traffic areas where it will not be tripped over.
8. To disconnect the heater, first turn the controls off, and then remove the plug from the outlet.
9. Do not insert or allow foreign objects to enter any ventilation or exhaust openings as this may cause electric shock, fire, or damage to the heater.
10. To prevent a possible fire, do not block the unit's air intakes or exhaust. Do not use the heater on soft surfaces (such as beds) where openings may become blocked.
11. This heater may have hot, arcing, or sparking parts inside. Do not use this heater in or near areas where gasoline, paint, or other flammable liquids are used or stored.
12. Only use this heater as described in this manual. Any other use not recommended by the manufacturer may cause fire, electric shock, or injury.
13. When possible, avoid the use of extension cords because the cord may overheat and cause a risk of fire. If extension cords must be used, minimize the risk of overheating by making sure they are UL listed, a minimum No. 14 AWG, and rated no less than 1875 watts.
14. This heater draws 12.5 amps during operation. To prevent overloading a circuit, do not plug the heater into a circuit that already has other appliances running.
15. It is normal for the plug to feel warm to the touch; however, a loose fit between the AC outlet (receptacle) and plug may cause overheating and distortion of the plug. Contact a qualified electrician to replace loose or worn outlets.
16. The output of this heater may vary, and its temperature may become intense enough to burn exposed skin. Use of this heater is not recommended for persons with reduced sensitivity to heat.

PLEASE READ AND SAVE THESE INSTRUCTIONS

# UNPACKING AND SET-UP INSTRUCTIONS

Carefully unpack your heater and remove the wheel assemblies from the packaging. Refer to Fig. 1 below:

1. Make sure the heater is unplugged and turned off.
2. **TURN THE HEATER UPSIDE DOWN.**
3. Position the wheel base assemblies between the end fins as shown.
4. Insert each U-shape screw into the holes of each wheel holding plate.
5. Insert the butterfly nuts and screw them in tightly.
6. Turn the heater upright.
7. Your heater is now ready for use.

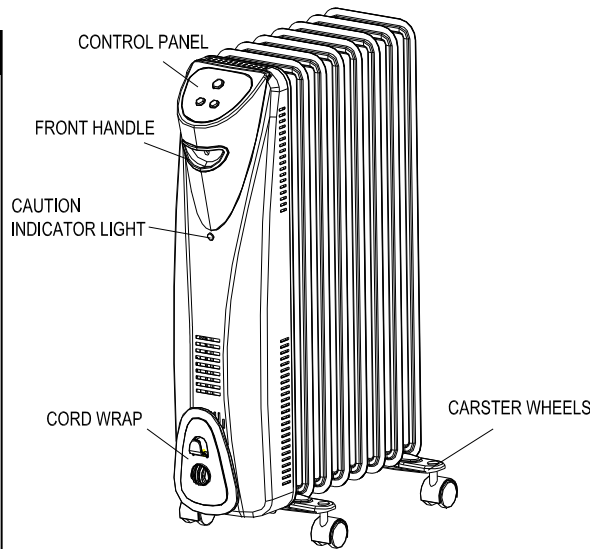


**CAUTION:** To prevent a possible fire, do not operate the heater without the wheel assemblies attached. Only operate the heater in an upright position with the wheels on the bottom and controls on top. Operating the unit in any other position could result in fire, personal injury, and/or property damage.

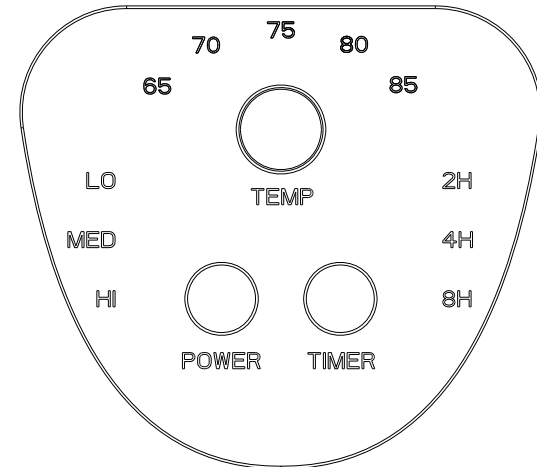
# OPERATING INSTRUCTIONS

## IMPORTANT!

Your heater is equipped with a polarized alternating current line plug (a plug with one blade wider than the other). This plug will fit into the power outlet only one way. This is a safety feature. If you are unable to insert the plug fully into the outlet, try reversing the plug. If the plug still does not fit, contact your electrician to replace your outlet. **DO NOT** defeat the safety purpose of the polarized plug by forcing it into a non-polarized outlet, or by modifying the prongs down to fit.



- Place the heater on a firm, level surface free from obstructions and at least 3 feet away from walls or other objects such as furniture, curtains, plants, or combustible materials.
- To program your electric oil-filled heater, refer to the control panel diagram in Fig. 2 below:



**Fig. 2 - Control Panel View**

- Press the **"POWER"** button to turn the heater **ON**.
- Select the heat level you desire by pressing the **POWER** button. The heater will turn on in the following sequence: HI-MED-LO. On **LO**, the heater will operate at **600W**. On **MED**, the heater will operate at **900W**. On **HI**, the heater will operate at **1500W**.
- There are 5 temperature settings, ranging from **MIN** to **MAX**. Press the **"TEMP"** button to select the desired temperature. The heater will operate in the following sequence: 65 °F, 70 °F, 75 °F, 80 °F, and 85 °F.
- Press the **"TIMER"** button to set the desired heating time. There are three choices: **2H** (2 hours), **4H** (4 hours), and **8H** (8 hours).
- **Timer setting:** This heater has an 8 hour On/Off timer. You can set the **"On"** timer when the heater is in "stand-by" mode (unit is plugged in but not operating), or you can set the **"Off"** timer when the heater is operating. For example, you can plug in the heater and set the timer to turn the unit on after 2 hours, or you can also set the timer to turn the heater off after 4 hours when the heater is in operation.

## CLEANING AND STORAGE

It is recommended that the heater be cleaned at least once during the operating season for optimum performance. **ALWAYS TURN THE POWER SWITCH OFF AND UNPLUG THE HEATER BEFORE CLEANING.** Be sure to save the carton for off-season storage.

- To clean the heater, first turn the heater to the **"OFF"** position. Unplug it and wait for the heater to cool down.
- Use a dry cloth to clean only the external surfaces of the heater.
- Do not use any cleaning agents or detergents.
- Never immerse the heater in water.
- Pack the heater in the original carton and store it in a cool, dry place.

## SPECIFICATIONS

**Model No.:** AH-450

**Voltage:** 120V, 60HZ

**Current:** Maximum continuous draw - 12.5 amps.

**Power:** HI =1500 Watts, MED = 900 Watts, LO = 600 Watts.

### Using the "On" Timer (Example):

1. When the heater is plugged in but not in operation, press the **"TIMER"** button. The **Indicator Light** will display. Press the **"TIMER"** button to select your desired timer setting (in sequence of 2H –4H–8H).
2. Press the **"TIMER"** button and the **Indicator Light** for 2H will display. Your heater is now set to be turned on after 2 hours.

### Using the "Off" Timer (Example):

1. When the heater is in operation, press the **"TIMER"** button. The **Indicator Light** will display. Press the **"TIMER"** button to select your desired timer setting (in sequence of 2H – 4H–8H).
2. Press the **"TIMER"** button and the **Indicator Light** for 2H will display. Your heater is now set to be turned off after 2 hours.

To disable the timer function, adjust the **POWER** to the **OFF** position.

**Note:** Once the timer is set, the heater will automatically operate with this setting in place until the setting has been turned off or until the unit itself is turned off.

**CAUTION:** This heater features an overheat protection feature that shuts the unit off if it overheats due to abnormal conditions. When this occurs, the **"C"** (Caution Indicator) light will turn on. If this occurs, turn the heater **"OFF"**, unplug it, inspect the unit, and remove any objects on or adjacent to the heater. Allow the unit to cool for a few minutes, plug it back in, and resume normal operation.

## ADDITIONAL FEATURES

This heater also includes the following additional features:

- **Convenient front carrying handles and heavy-duty caster wheels** for easy maneuvering from room to room.
- **Cord storage compartment** for neatly storing the power cord when the heater is not in use.

## TROUBLESHOOTING

If your heater fails to operate, please follow these instructions:

- Ensure that the circuit breaker or fuse is working properly.
- Make sure the heater is plugged in and that the electrical outlet is working properly.
- Check for any obstructions in, near, or around the heater. If you find any obstructions, turn the heater **"OFF."** Unplug the heater and wait a few minutes for it to cool down. Carefully remove the obstruction. Plug the heater in and turn it on again by referring to the **OPERATING INSTRUCTIONS.**

**NOTE:** IF YOU EXPERIENCE A PROBLEM WITH YOUR HEATER, PLEASE SEE THE WARRANTY INFORMATION FOR INSTRUCTIONS. DO NOT ATTEMPT TO OPEN OR REPAIR THE HEATER YOURSELF AS DOING SO MAY VOID THE WARRANTY AND CAUSE DAMAGE OR PERSONAL INJURY. IF THE PROBLEM STILL PERSISTS, PLEASE CONTACT US BY REFERRING TO THE SERVICE & SUPPORT INFORMATION SECTION ON THE FOLLOWING PAGE.