

**FA902200TX**  
**Newberg Fireplace-**  
**Warm Brown Walnut**  
**Assembly Instructions**



**Southern**  
**ENTERPRISES**

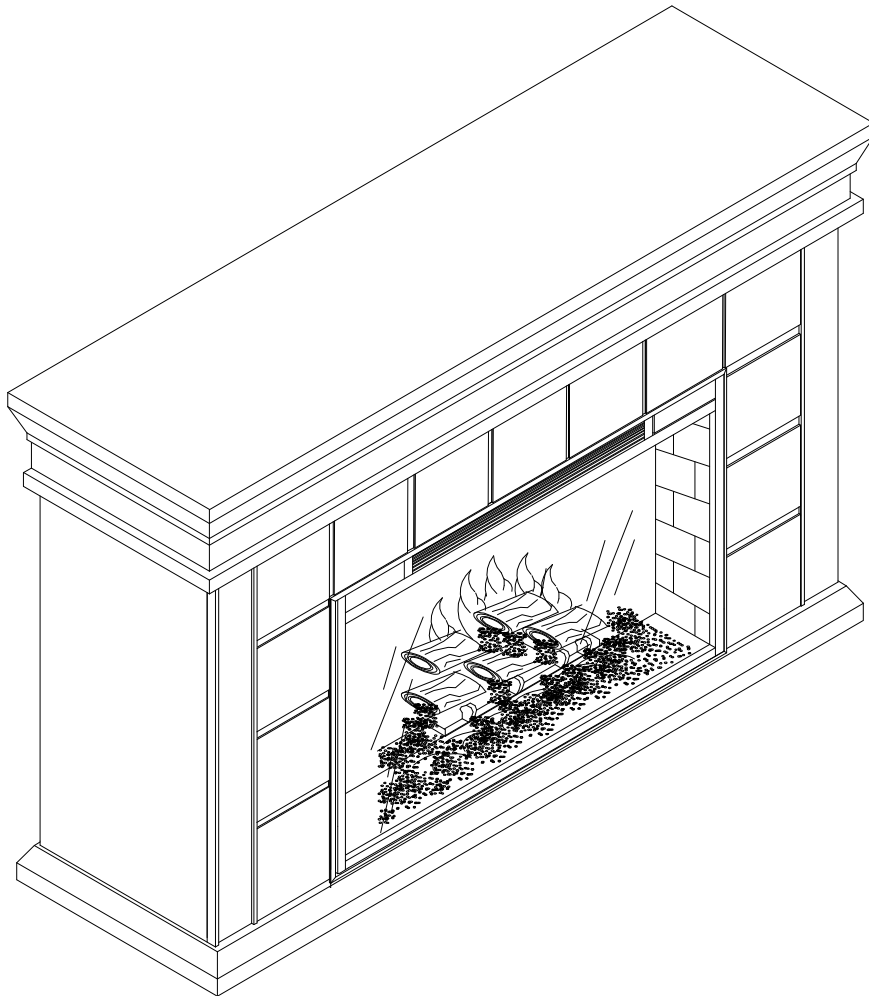
For assistance with assembly contact:  
Southern Enterprises Inc.

Customer Service 1-800-633-5096

[service@seidal.com](mailto:service@seidal.com)

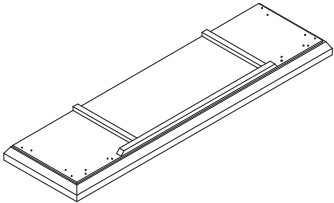
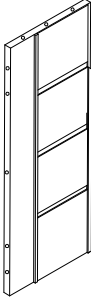
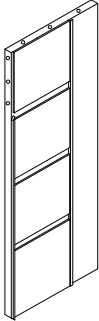
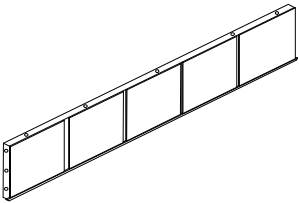
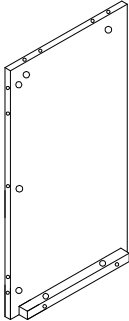
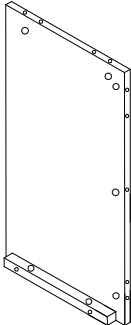
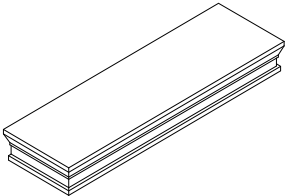
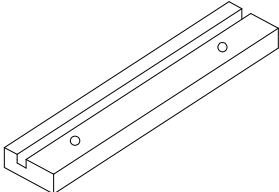
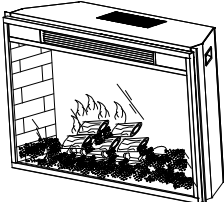


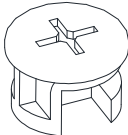
[www.seidal.com](http://www.seidal.com)

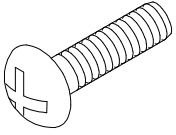
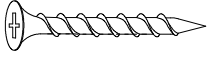

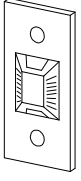
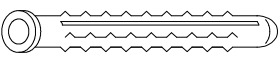


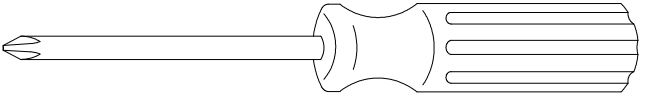
PO#: 123456



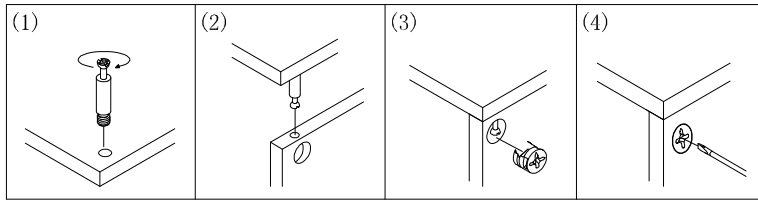
# Newberg Fireplace-Warm Brown Walnut Parts List

Please check packaging for all parts and hardware before discarding. Unpack and lay parts on clean, padded surface like carpet or blanket. Check that you have all parts indicated. Call customer service if hardware is missing. Before beginning assembly, carefully study the diagrams below and sort your hardware according to the pictures. Using the incorrect hardware will cause damage.

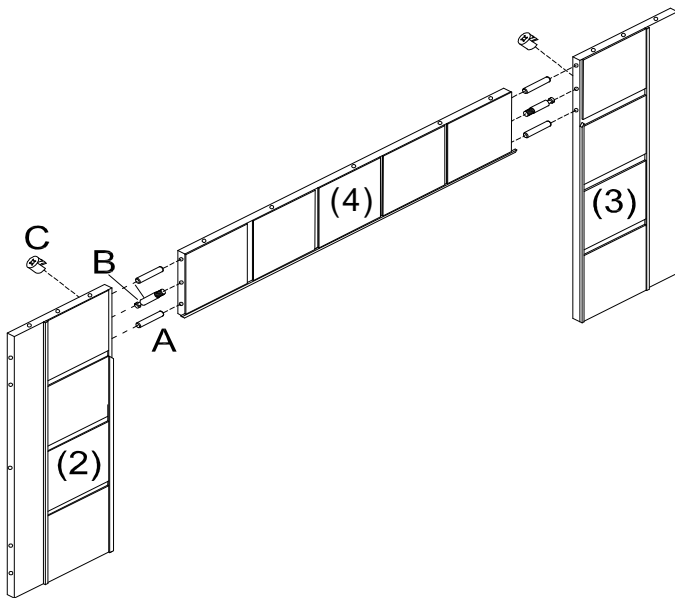
<p>(1) Quantity Of 1</p>  <p>Bottom Panel</p>	<p>(2) Quantity Of 1</p>  <p>Left Front Panel</p>	<p>(3) Quantity Of 1</p>  <p>Right Front Panel</p>
<p>(4) Quantity Of 1</p>  <p>Middle Front Panel</p>	<p>(5) Quantity Of 1</p>  <p>Left Side Panel</p>	<p>(6) Quantity Of 1</p>  <p>Right Side Panel</p>
<p>(7) Quantity Of 1</p>  <p>Top Panel</p>	<p>(8) Quantity Of 2</p>  <p>Wood Blocks</p>	<p>(9) Quantity Of 1</p>  <p>Firebox (in separate carton)</p>
<p>A Quantity Of 26</p>  <p>Wood Dowel Dia 8 x 30mm</p>	<p>B Quantity Of 17</p>  <p>Cam Bolt</p>	<p>C Quantity Of 17</p>  <p>Cam Lock</p>

<p>D</p> <p>Quantity Of 8</p>  <p>Bolt</p>	<p>E</p> <p>Quantity Of 4</p>  <p>Screw Dia1/8"x1"L</p>	<p>F</p> <p>Quantity Of 2</p>  <p>Plastic Strap</p>
<p>G</p> <p>Quantity Of 4</p>  <p>Bracket</p>	<p>H</p> <p>Quantity Of 4</p>  <p>Anchor</p>	<p>I</p> <p>Quantity Of 4</p>  <p>Screw Dia1/8"x1-1/2"L</p>
<p>J</p> <p>Quantity Of 4</p>  <p>Screw Dia1/8"x5/8"L</p>		
<p><b>Care and Cleaning Instructions:</b> Before using, wipe with a clean, dry cloth. Periodically apply furniture wax to renew the finish. Avoid rubbing or scratching the surface with rough or abrasive objects.</p>		<p>For replacement parts or questions, please call Customer Service at 1-800-633-5096.</p>
<p><b>Assembly Tool Required No.2 Phillips Screwdriver (Not Include)</b></p>		

# Newberg Fireplace-Warm Brown Walnut Assembly Instructions



"Please do not over tighten cambolts. Please stop when you feel tight"



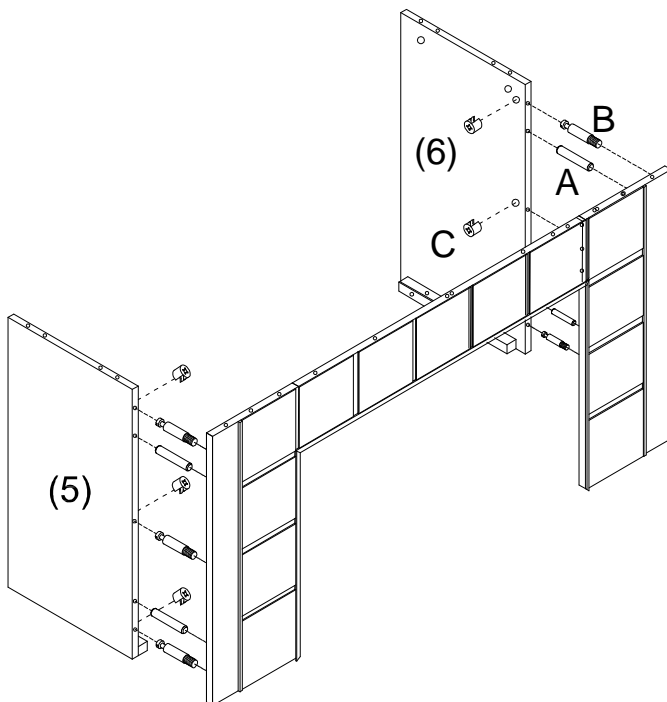
Insert cam locks (C) into holes on left front panel (2) & right front panel (3).

Screw cam bolts (B) into holes on middle front panel (4).

Attach middle front panel (4) to left front panel (2) and right front panel (3) by inserting wood dowels (A) and cam bolts (B) into corresponding holes until left front panel (2) and right front panel (3) and middle front panel (4) meet.

Tighten by rotating cam locks (C) clockwise with Phillips screwdriver.

Figure 1



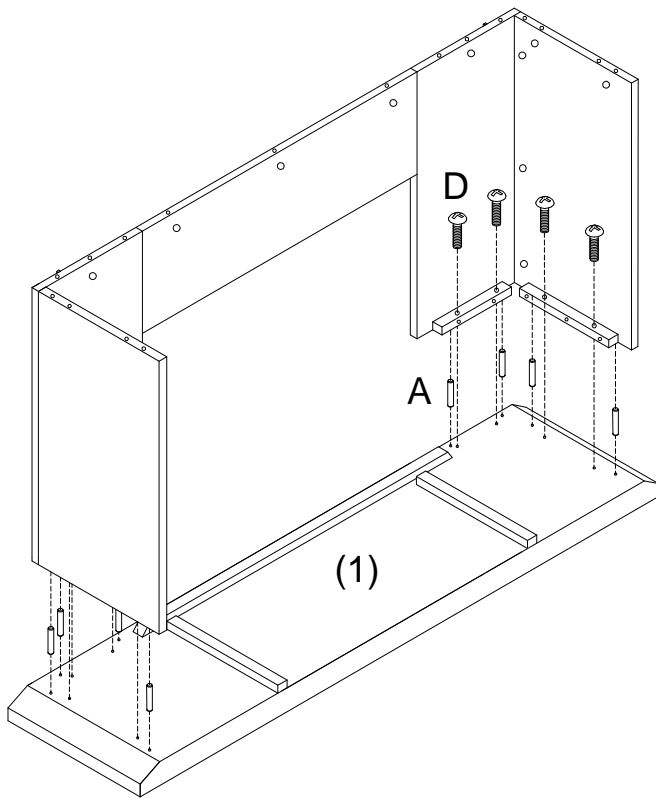
Insert cam locks (C) into holes on left side panel (5) and right side panel (6).

Screw cam bolts (B) into holes on assembled unit.

Attach assembled unit to left side panel (5) and right side panel (6) by inserting wood dowels (A) and cam bolts (B) into corresponding holes until left side panel (5) and right side panel (6) and assembled unit meet.

Tighten by rotating cam locks (C) clockwise with Phillips screwdriver.

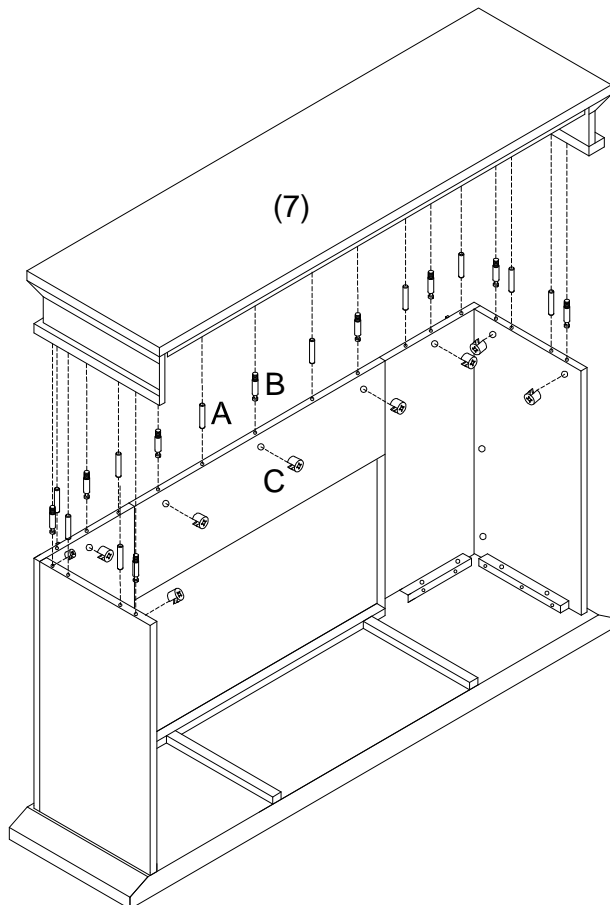
Figure 2



Use bolts (D) and wood dowels (A) to connect assembled unit to bottom panel (1) as shown.

Tighten bolts (D) with Phillips screwdriver.

Figure 3



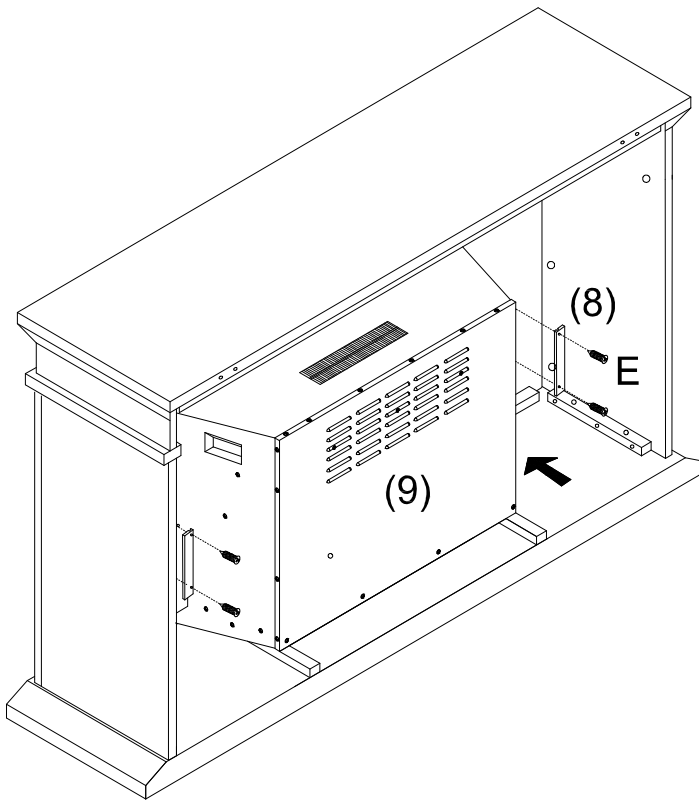
Insert cam locks (C) into holes on assembled unit.

Screw cam bolts (B) into holes on top panel (7).

Attach top panel (7) to assembled unit by inserting wood dowels (A) and cam bolts (B) into corresponding holes until top panel (7) and assembled unit meet.

Tighten by rotating cam locks (C) clockwise with Phillips screwdriver.

Figure 4

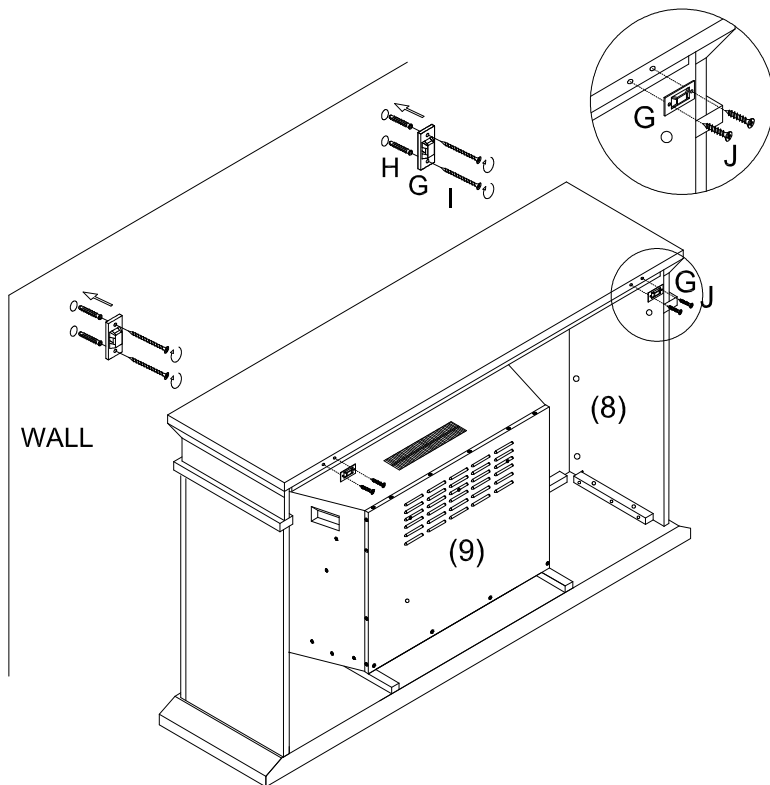


Place firebox (9) into the back of the unit.

Use screws (E) to connect wood blocks (8) to support rails.

Tighten screws (E) with Phillips screwdriver.

Figure 5



Attach brackets (G) to the top panel (7) with screws (J).

Tighten screws (J) using Phillips screwdriver.

Mark two desired locations on the wall and drill two 3/16" holes.

Insert anchors (H) into the two holes on wall as shown. Use a hammer to insert the plastic anchors until they are flush with the wall.

Then attach the brackets (G) onto the wall using screw (I).

Tighten screw (I) using Phillips screwdriver.

Figure 6

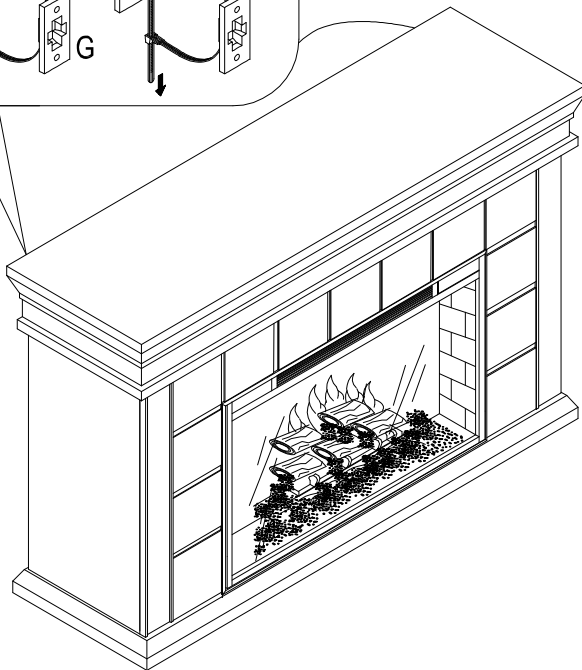
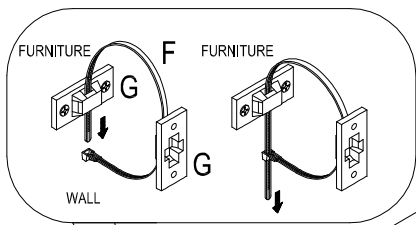


Figure 7

Move this item close to the wall bracket (G) and tie in all bracket (G) together with plastic strap (F) as shown in diagram.

**Anti-tipping hardware must be used for this product to avoid tipping and injury.**

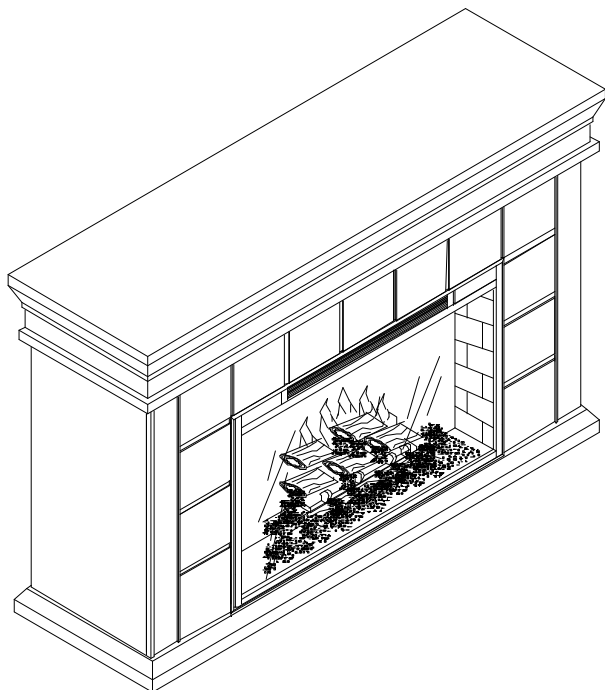


Figure 8

Now your new fireplace is ready to use.

**Top support up to 85 lb.**

# Parts Replacement Form

## Customer Information

Name \_\_\_\_\_

Address \_\_\_\_\_

City/State/Zip Code \_\_\_\_\_

Phone Number \_\_\_\_\_

Please indicate where you purchased this item: Store/Website/Catalog

\_\_\_\_\_

Please indicate color/size/style number:

\_\_\_\_\_

Style No	Parts Letter	Parts Description	Quantity Needed
----------	--------------	-------------------	-----------------

_____	_____	_____	_____
-------	-------	-------	-------

_____	_____	_____	_____
-------	-------	-------	-------

_____	_____	_____	_____
-------	-------	-------	-------

Please immediately examine this product carefully. Any request for missing parts or damage replacement must be received within 90 days of your receipt of the product. Replacement, if available, will be honored within this time frame. Parts will not be available for items arriving fully assembled. We do not recommend modifying product(s) and we are not responsible for any damages due to product modification(s). If damages or missing parts are not reported within 90 days of your receipt, we are under no obligation to provide parts or replacement merchandise.

Please contact Southern Enterprises at 800-633-5096 or in Dallas 972-869-0111/ 9am – 4pm Mon-Fri Central time if you have product issues or email us at [service@seidal.com](mailto:service@seidal.com). Please ask for customer service representative for issues involving damages or replacement parts. Please ask for technical assistance representative for any issues with product and assembly/construction.

Please contact the retailer that you purchased from for returns.



**Southern**  
**ENTERPRISES**

Customer Service 1-800-633-5096

[service@seidal.com](mailto:service@seidal.com)

Southern Enterprises, Inc.

600 Freeport Parkway, Suite 200

Coppell, Texas 75019