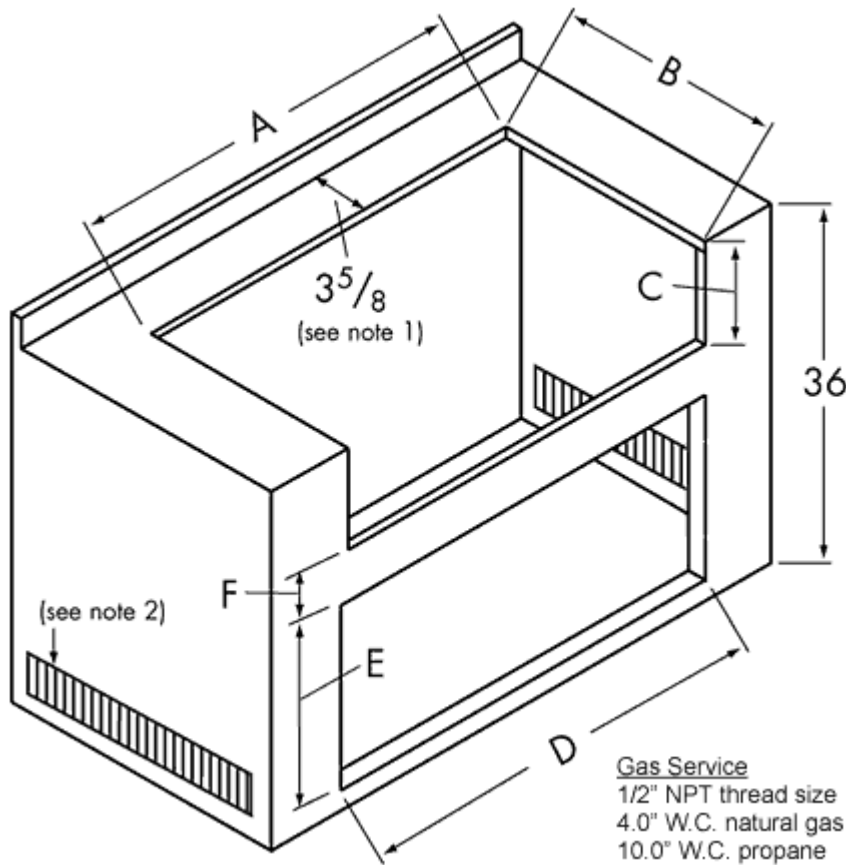


CUTOUT SIZES FOR SOLAIRE GRILLS & ACCESSORIES



Dimension A
 27" Grills • 26"
 30" Grills • 28 1/2"
 42" Grills • 40 1/2"
 56" Grills • 54 1/2"
 IRIJ-27 & 27XL • 31 3/8"
 IRIJ-30 • 35"
 IRIJ-42 • 47"
 IRIJ-56 • 61"

Dimension B
 AGBQ-27 • 16 1/4"
 AGBQ-27XL • 21"
 30, 42, 56" Grills • 23"
 IRIJ-27 • 17 11/16"
 IRIJ-27XL • 22 9/16"
 IRIJ 30, 42, 56 • 24 1/2"

Dimension C
 27" Grills • 8 7/8"
 30, 42, 56" Grills • 10 1/4"
 IRIJ-27 & 27XL • 10"
 IRIJ 30, 42, 56 • 11 1/4"

Dimension D
 Door # IRAD-21 • 18 1/4"
 Doors # IRAD-30 • 27 1/4"
 Doors # IRAD-42 • 39 1/4"
 Refrig. # RC42 • 42 3/8"

Dimension E
 All Doors • 18 1/4"
 Refrig. # RC42 • 21 3/8"

Dimension F
 All Doors • 3 7/8"
 Refrig. # RC42 • 2 1/8"

Note 1: Min. 2" clearance required between edge of cutout and inside back wall of enclosure for gas regulator.

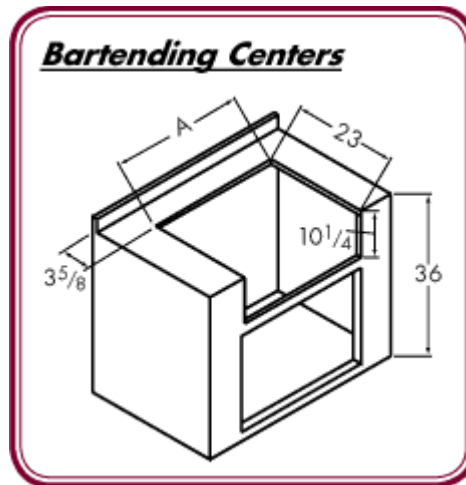
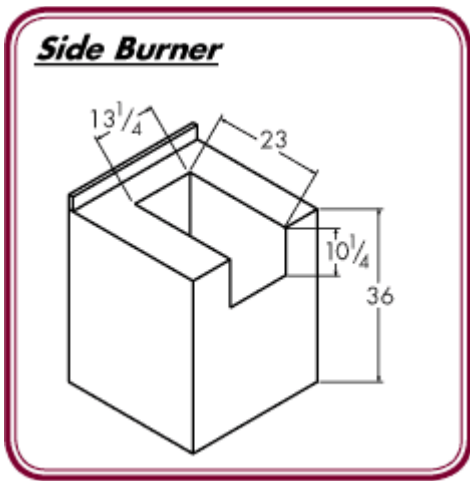
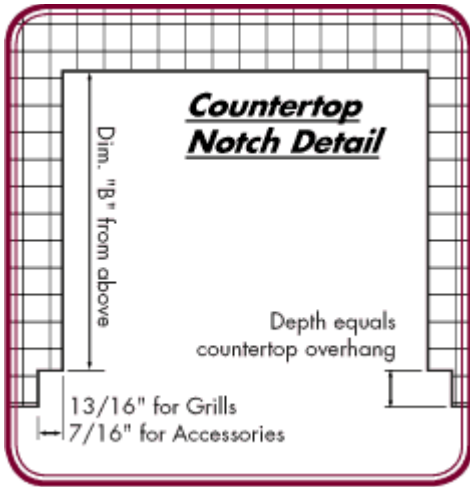
Note 2: Refrigerator installations require ventilation on both sides of enclosure. Minimum front-to-back inside clearance is 25 3/8."

SPECIAL NOTE: Grill installation into combustible enclosure requires insulated jacket. Order part #SOL-IRIJ-XX, where "XX" is the size of the grill in inches.

NATURAL GAS SUPPLY NOTE: A standard 3/8" ID flexible natural gas supply hose has a maximum capacity of 60,000 BTUs and should be used with 27" and 30" grills only. A 1/2" ID natural gas supply hose is required for larger models, or for 30" grills with a side burner. The proper hose is available from Solaire, order part #SOL-12HOSE12.

DETAIL FOR FLUSH-MOUNTING

If the countertop of your island overhangs the cabinet face, the countertop must be notched to accommodate the control panel or front of the Solaire equipment.



Dimension A

IRDT-24 • 23 1/4" IRDT-30 • 28 1/2"