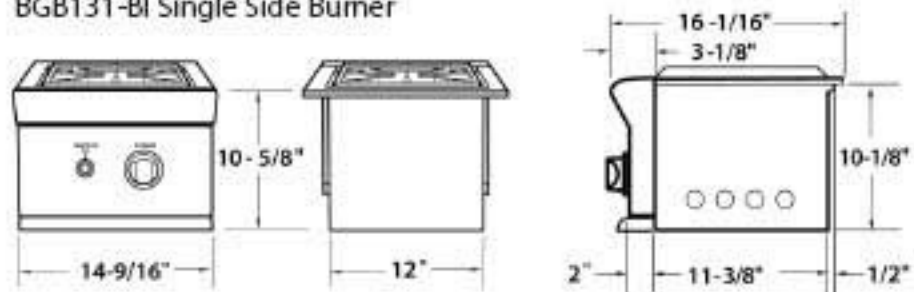
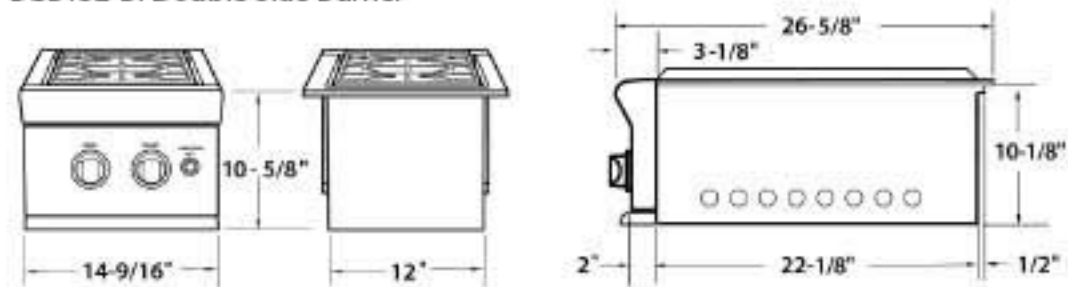


# Built-in Side Burner Dimensions

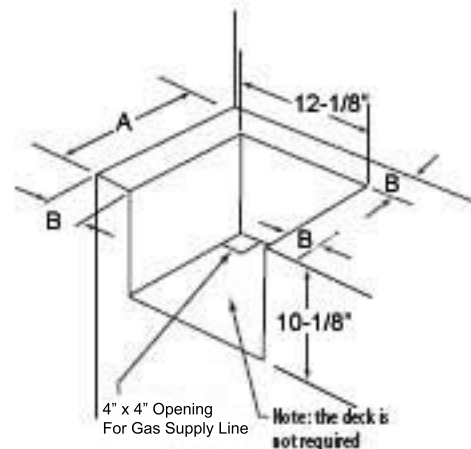
BGB131-BI Single Side Burner



BGB132-BI Double Side Burner



# Professional Side Burner Island Preparation



MODEL	A	B
BGB131-BI	12"	6" min.
BGB132-BI	22-3/8"	6" min.

MODEL NUMBER	BGB131-BI	BGB132-BI
30" CART MOUNT		
BUILT-IN	✓	✓
SIDE BURNER(S)	1 @ 17,000 Btu/hr	2 @ 17,000 Btu/hr
SHIPPING WEIGHT (LBS)	35.8	64.0
SHIPPING DIMENSIONS (HEIGHT X WIDTH X DEPTH)	13.5 x 14.5 x 19	16 x 18 x 30

## Gas Requirements:

### Natural

- 1/2" NPT male with a 3/8" flare adapter
- Operational Pressure: 4" W.C.
- Supply Pressure: 6" to 9" W.C.

### Propane

- 1/2" NPT male with a 3/8" flare adapter
- Operational Pressure: 10" W.C.
- Supply Pressure: 11" to 14" W.C.

Ordering Data: Please specify gas type (natural or propane) when ordering.