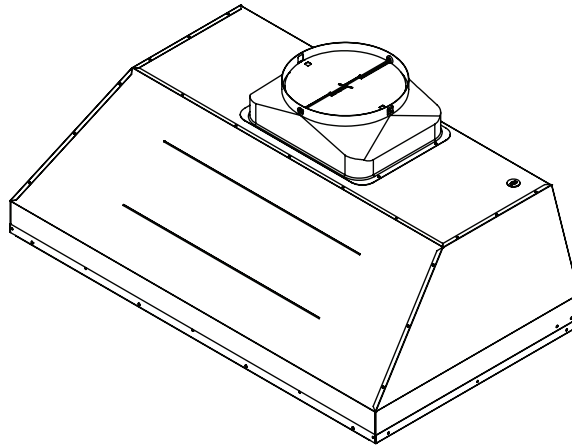


# Use, Care, and Installation Guide

## Spruce

AK9834AS  
AK9840AS  
AK9846AS  
AK9858AS



INTENDED FOR OUTDOOR COVERED PATIO OR LANAI AREA.



Model number: \_\_\_\_\_  
Serial Number: \_\_\_\_\_  
Date of Purchase: \_\_\_\_\_  
Sales Dealer: \_\_\_\_\_

JUL20.0401 © Zephyr Ventilation LLC.

**READ AND SAVE THESE INSTRUCTIONS**



**SAFETY NOTICE**..... 2-3

**LIST OF MATERIALS**..... 4

**INSTALLATION**

    Ducting Calculation Sheet..... 5

    Mounting Height & Clearance..... 6

    Ducting Options..... 7

    Specifications..... 8

    Electrical..... 9

    Installing the One Piece Insert..... 10

    Insert Preparation..... 11

**FEATURES & CONTROLS**

    Rotary Controls..... 12

**MAINTENANCE**

    Cleaning & Installing Filters..... 13

    Lights & Parts List..... 14

**WIRING DIAGRAM**..... 15

**TROUBLESHOOTING**..... 16

**WARRANTY**..... 17

**PRODUCT REGISTRATION**..... 18

**Important Safety Notice**

**WARNING**

TO REDUCE THE RISK OF FIRE OR ELECTRIC SHOCK, DO NOT USE THIS FAN WITH ANY SOLID-STATE CONTROL DEVICE.

**WARNING**

TO REDUCE THE RISK OF FIRE ELECTRIC SHOCK, OR INJURY TO PERSONS, OBSERVE THE FOLLOWING:

- a. Use this unit only in the manner intended by the manufacturer, if you have questions, contact the manufacturer.
- b. Before servicing or cleaning unit, switch power off at service panel and lock panel to prevent power from being switched on accidentally. When the service disconnecting means cannot be locked, securely fasten a prominent warning device, such as a tag, to the service panel.
- c. This unit must be grounded and protected by a GFCI.
- d. Suitable for use in damp locations only when installed in a GFCI PROTECTED branch-circuit.

**CAUTION**

For general ventilating use only. Do not use to exhaust hazardous or explosive materials and vapors. Take care when using cleaning agents or detergents. Suitable for use in household cooking area.

**WARNING**

TO REDUCE THE RISK OF RANGE TOP GREASE FIRE:

- a. Never leave surface units unattended at high settings. Boilovers cause smoking and greasy spillovers that may ignite. Heat oils slowly on low or medium settings.
- b. Always turn hood ON when cooking at high heat or when flaming food
- c. Clean ventilating fans frequently. Grease should not be allowed to accumulate on fan or filter.
- d. Use proper pan size. Always use cookware appropriate for the size of the surface element.
- e. Keep fan, filters and grease laden surfaces clean.
- f. Use high setting on hood only when necessary.
- g. Don't leave hood unattended when cooking.
- h. Always use cookware and utensils appropriate for the type of and amount of food being prepared.

**WARNING**

TO REDUCE THE RISK OF INJURY TO PERSONS IN THE EVENT OF A RANGE TOP FIRE, OBSERVE THE FOLLOWING:

- a. SMOTHER FLAMES with a close-fitting lid, cookie sheet, or metal tray, then turn off the burner. BE CAREFUL TO PREVENT BURNS. If the flames do not go out immediately, EVACUATE AND CALL THE FIRE DEPARTMENT.
- b. NEVER PICK UP A FLAMING PAN – You may be burned.
- c. DO NOT USE WATER, including wet dishcloths or towels – a violent steam explosion will result.
- d. Use an extinguisher ONLY if:
  - 1. You know you have a Class ABC extinguisher, and you already know how to operate it.
  - 2. The fire is small and contained in the area where it started.
  - 3. The fire department is being called.
  - 4. You can fight the fire with your back to an exit

**WARNING**

TO REDUCE THE RISK OF FIRE, ELECTRIC SHOCK OR INJURY TO PERSONS, OBSERVE THE FOLLOWING:

- a. Installation work and electrical wiring must be done by qualified person(s) in accordance with all applicable codes and standards. Including fire-rated construction.
- b. Sufficient air is needed for power combustion and exhausting of gases through the flue (chimney) of fuel burning equipment to prevent back-drafting. Follow the heating equipment manufacturer's guideline and safety standards such as those published by the National Fire Protection Association (NFPA) and the American Society for Heating, Refrigeration and Air Conditioning Engineers (ASHRAE) and the local code authorities.
- c. When cutting or drilling into wall or ceiling, do not damage electrical wiring and other hidden utilities.
- d. Ducted fans must always vent to the outdoors.
- e. NEVER place a switch where it can be reached from a tub or shower.
- f. Make sure the power is off before installing, wiring or maintenancing.

**WARNING**

TO REDUCE THE RISK OF FIRE, USE ONLY METAL DUCTWORK.

**CAUTION**

To reduce risk of fire and to properly exhaust air outside - Do not vent exhaust air into spaces within walls, ceilings, attics, crawl spaces or garages.

**OPERATION**

Always leave safety grilles and filters in place. Without these components, operating blowers could catch onto hair, fingers and loose clothing.

The manufacturer declines all responsibility in the event of failure to observe the instructions given here for installation, maintenance and suitable use of the product. The manufacturer further declines all responsibility for injury due to negligence and the warranty of the unit automatically expires due to improper maintenance.

**\*NOTE: Please check [www.zephyronline.com](http://www.zephyronline.com) for revisions before doing any custom work.**

**ELECTRICAL REQUIREMENTS**

**Important:**

Observe all governing codes and ordinances.

It is the customer's responsibility:

- To contact a qualified electrical installer.
- To assure that the electrical installation is adequate and in conformance with National Electrical Code, ANSI/NFPA 70 latest edition\* or CSA standards C22.1-94, Canadian Electrical Code, Part 1 and C22.2 No.0-M91 - latest edition\*\* and all local codes and ordinances.

If codes permit and a separate ground wire is used, it is recommended that a qualified electrician determine that the ground path is adequate.

Do not ground to a gas pipe.

Check with a qualified electrician if you are not sure the range hood is properly grounded.

Do not have a fuse in the neutral or ground circuit.

\*National Fire Protection Association Batterymarch Park, Quincy, Massachusetts 02269

\*\* CSA International 8501 East Pleasant Valley Road, Cleveland, Ohio 44131-5575

This appliance requires a 120V 60Hz electrical supply and connected to an individual properly grounded branch circuit protected by a 15 or 20 ampere circuit breaker or time delay fuse. Wiring must be 2 wire with ground. Please also refer to Electrical Diagram on product.

A cable locking connector (not supplied) might also be required by local codes. Check with local requirements, purchase and install appropriate connector if necessary.

INTENDED FOR OUTDOOR COVERED PATIO OR LANAI AREA.

SUITABLE FOR USE IN DAMP LOCATIONS WHEN INSTALLED IN A **GFCI PROTECTED BRANCH-CIRCUIT.**

Prop. 65 Warning for California Residents



**WARNING:**

Cancer and Reproductive Harm - [www.P65Warnings.ca.gov](http://www.P65Warnings.ca.gov)

# List of Materials

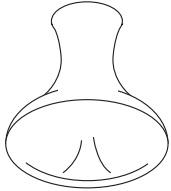
**MODELS:** AK9834AS, AK9840AS, AK9846AS AND AK9858AS

## PARTS SUPPLIED

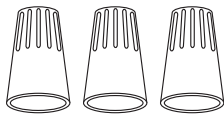
- 1 - Insert hood body
- 2 - Baffle filters (3 for AK9846AS & AK9858AS)
- 4 - Halogen light bulbs (pre-installed)
- 1 - Dual internal blower (pre-installed)
- 1 - 10" round duct collar
- 1 - Hardware package

## HARDWARE PACKAGE CONTENTS

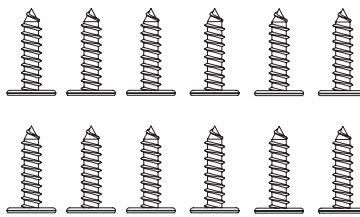
Light Bulb Removal  
Suction Cup (1)



Wire Caps (3)



#8 x 1/2" (12)



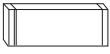
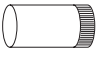
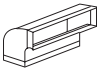
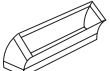

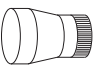
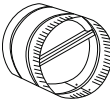


M4 x 6mm (4)







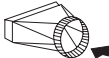




## PARTS NOT SUPPLIED

- Ducting, conduit and all installation tools
- Cable connector (*if required by local codes*)

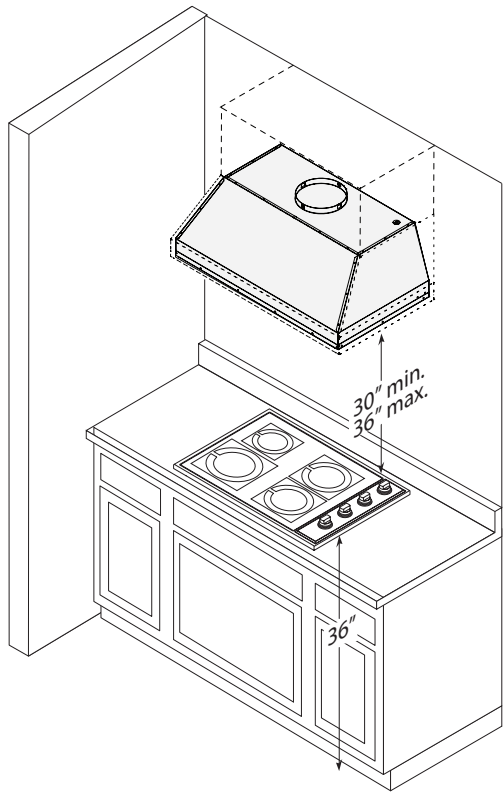
# Installation – Ducting Calculation Sheet

Duct pieces		Equivalent number length x used =	Total
	3-1/4" x 10" Rect., straight	1 Ft. x ( ) =	Ft.
	6", 7", 8", 10" Round, straight	1 Ft. x ( ) =	Ft.
	3-1/4" x 10" Rect. 90° elbow	15 Ft. x ( ) =	Ft.
	3-1/4" x 10" Rect. 45° elbow	9 Ft. x ( ) =	Ft.
	3-1/4" x 10" Rect. 90° flat elbow	24 Ft. x ( ) =	Ft.
	7" to 6" or 8" to 7" Round tapered reducer	25 Ft. x ( ) =	Ft.
	6", 7", 8" Round in-line damper	15 Ft. x ( ) =	Ft.
	6", 7", 8", 10" Round, 90° elbow	15 Ft. x ( ) =	Ft.
	6", 7", 8", 10" Round, 45° elbow	9 Ft. x ( ) =	Ft.
Subtotal column 1 =			Ft.

**Maximum Duct Length:** For satisfactory air movement, the total duct length should not exceed 100 equivalent feet.

Duct pieces		Equivalent number length x used =	Total
	3-1/4" x 10" Rect. to 6" round transition	5 Ft. x ( ) =	Ft.
	3-1/4" x 10" Rect. to 6" round transition 90° elbow	20 Ft. x ( ) =	Ft.
	6" round to 3-1/4" x 10" rect. transition	1 Ft. x ( ) =	Ft.
	6" round to 3-1/4" x 10" rect. transition 90° elbow	16 Ft. x ( ) =	Ft.
	7" round to 3 1/4" x 10" rect. transition	8 Ft. x ( ) =	Ft.
	7" round to 3-1/4" x 10" rect. transition 90° elbow	23 Ft. x ( ) =	Ft.
	3-1/4" x 10" Rect. wall cap with damper	30 Ft. x ( ) =	Ft.
	6", 7", 8", 10" Round, wall cap with damper	30 Ft. x ( ) =	Ft.
	6", 7", 8", 10" Round roof cap	30 Ft. x ( ) =	Ft.
Subtotal column 2 =			Ft.
Subtotal column 1 =			Ft.
Total ductwork =			Ft.

# Installation – Mounting Height & Clearance



Minimum mount height between range top to hood bottom should be no less than 30".

Maximum mount height should be no higher than 36".

It is important to install the hood at the proper mounting height. Hoods mounted too low could result in heat damage and fire hazard; while hoods mounted too high will be hard to reach and will lose its performance and efficiency.

If available, also refer range manufacturer's height clearance requirements and recommended hood mounting height above range.

**Vertical Ducting:**  
10" round minimum

**Horizontal Ducting:**  
N/A

## DUCTING

A minimum of 10" round duct must be used to maintain maximum air flow efficiency.

Always use rigid type metal ducts only. Flexible ducts could restrict air flow by up to 50%.

Also use calculation (on page 5) to compute total available duct run when using elbows, transitions and caps.

ALWAYS, when possible, reduce the number or transitions and turns. If long duct run is required, increase duct size.

If turns or transitions are required; install as far away from hood duct output and as far apart, between the two as possible.

## DAMAGE-SHIPMENT / INSTALLATION:

- Please fully inspect unit for damage before installation.
- If the unit is damaged in shipment, return the unit to the store in which it was bought for repair or replacement.
- If the unit is damaged by the customer, repair or replacement is the responsibility of the customer.
- If the unit is damaged by the installer (if other than the customer), repair or replacement must be made by arrangement between customer and installer.

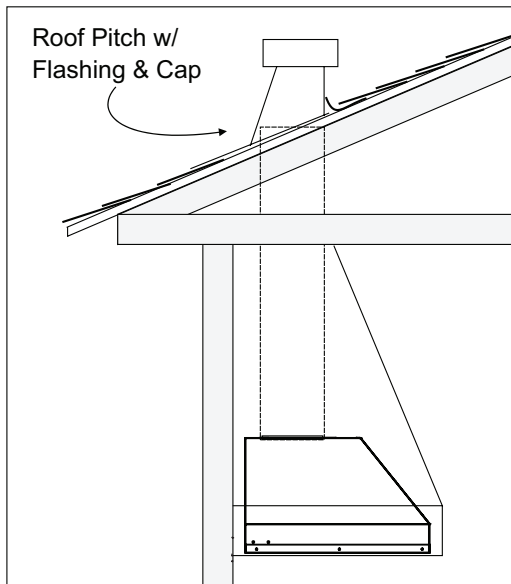
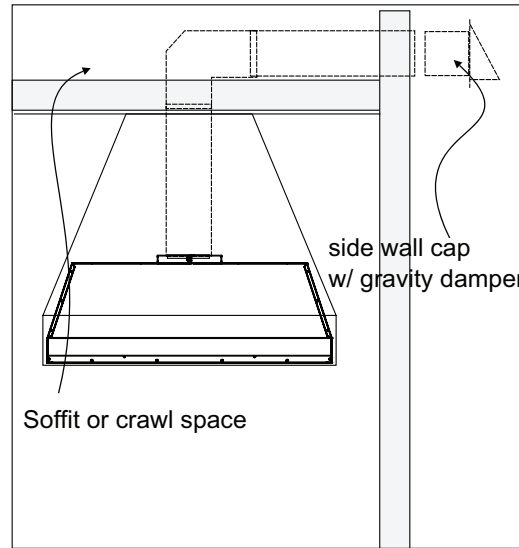
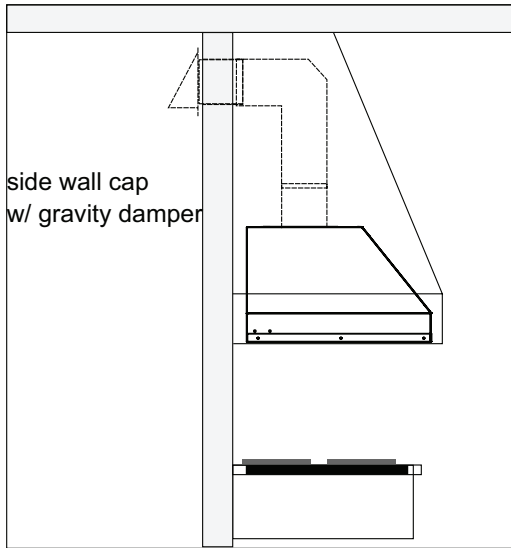
**WARNING FIRE HAZARD**

NEVER exhaust air or terminate duct work into spaces between walls, crawl spaces, ceiling, attics or garages. All exhaust must be ducted to the outside.

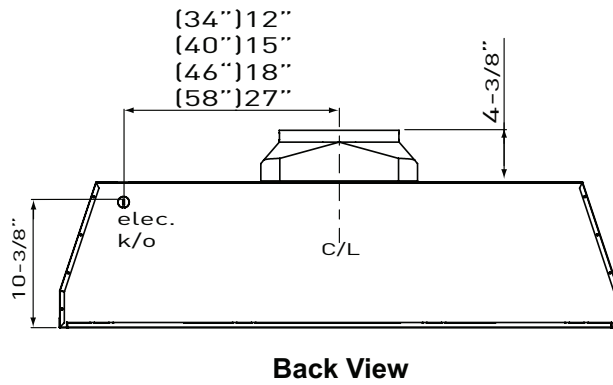
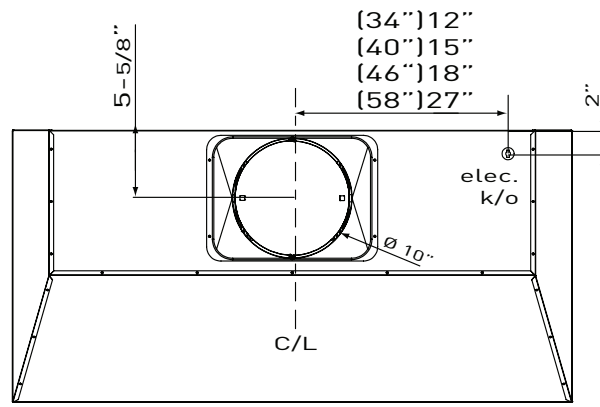
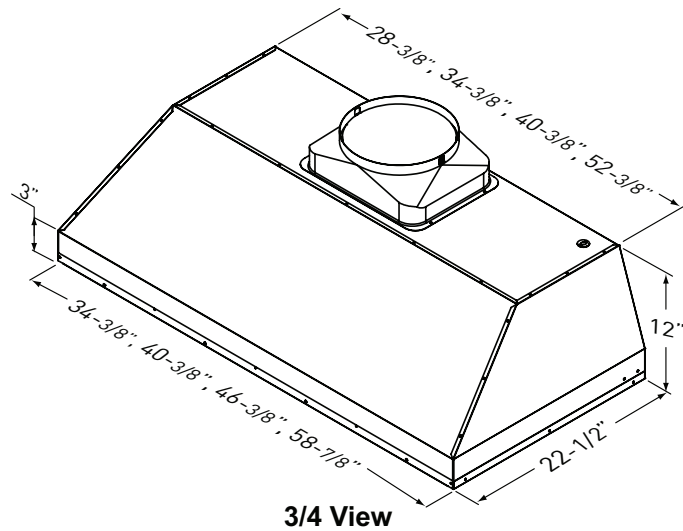
Use single wall rigid metal ductwork only.

Fasten all connections with sheet metal screws and tape all joints with certified Silver Tape or Duct Tape.

**Some Ducting Options**



# Installation – Specifications



**ELECTRICAL  
WARNING**

All Electrical work must be performed by qualified electrician or person with similar technical know how and background.

For personal safety, remove house fuse or open circuit breaker before beginning installation. Do not use extension cord or adapter plug with this appliance.

Follow national electrical codes or prevailing local codes and ordinances.

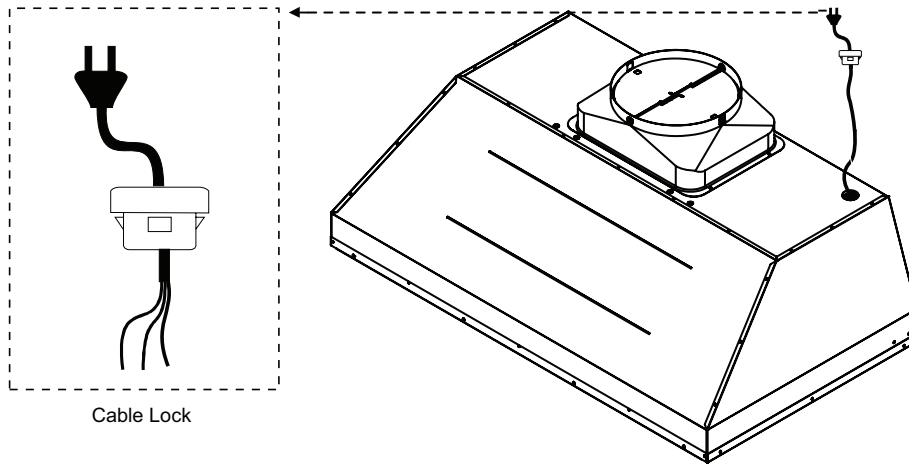
**Electrical Supply:**

This appliance requires a 120V 60Hz electrical supply, and connected to an individual, properly grounded branch circuit, protected by a 15 or 20 ampere circuit breaker or time delay fuse. Wiring must be 2 wire w/ ground. Please also refer Electrical Diagram labeled on product.

**Cable Lock:**

A cable locking connector (not supplied) might also be required by local codes. Check with local requirements and codes, purchase and install appropriate connector if necessary.

**⚠ CAUTION:** This unit must be grounded and protected by a GFCI.  
Suitable for use in damp locations only when installed in a GFCI PROTECTED branch-circuit.



# Installation – Installing the One Piece Insert

**⚠ CAUTION:** At least two installers are required due to the weight and size of the hood.

**If possible, power up and test all functions prior to installation.**

1. Remove all packing materials and protective film prior to installation. Use caution during installation to prevent scratches or damage to the stainless steel.
2. Cut out an opening in the bottom of the cabinet by following the dimensions in FIG. 1.
3. Prepare insert for installation into cabinet by following the steps on page 11.
4. Lift insert into bottom opening of cabinet and secure to interior of cabinet using (8) #8 x 1/2" stainless steel screws; (4) screws in the front and (4) screws in the sides. See FIG. 2.

**WARNING:** Make sure the surface you are securing the insert to is capable of holding the weight of AK98. Failure to do so may cause personal injury or damage to cooking surface or counter.

5. Finalize installation of electrical and duct work. Seal duct work with certified aluminum duct tape. Power on insert, check for leaks around duct tape and verify proper operation.
 

**NOTE:** If access to top of insert is not available after installation, electrical and duct work connection may need to be made prior to installing the insert.
6. Re-install the previously removed bottom panel, side spacer panels, grease tray, and baffle filters.

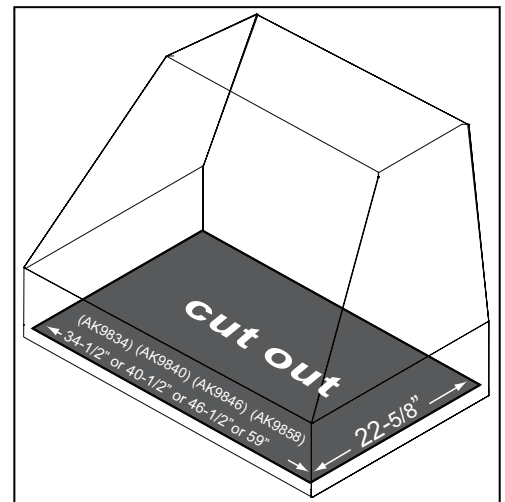


FIG. 1

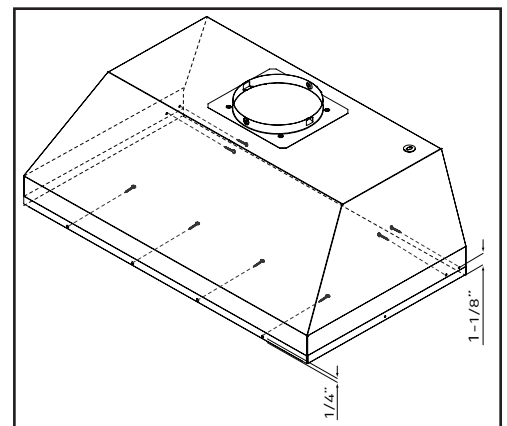
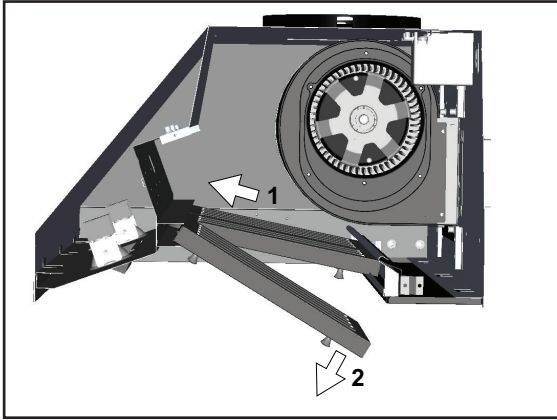
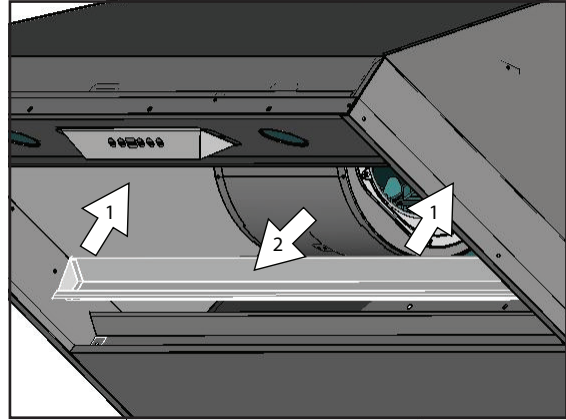


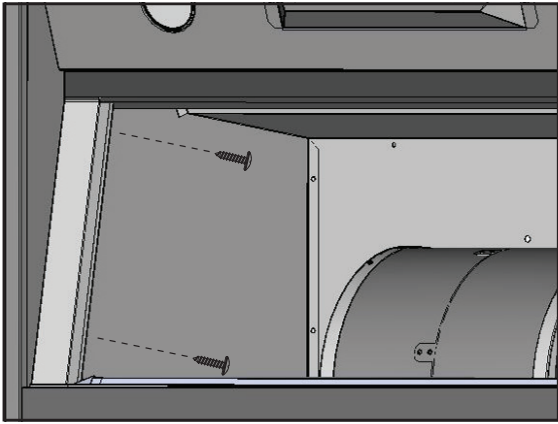
FIG. 2



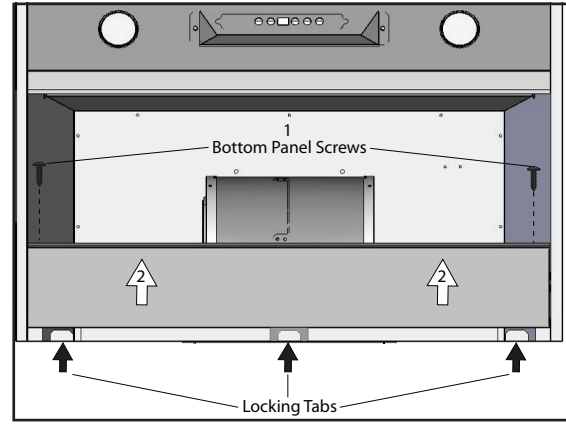
1. Remove baffle filters by: 1) Pulling filter toward front of insert. 2) Pivoting rear of filter down.



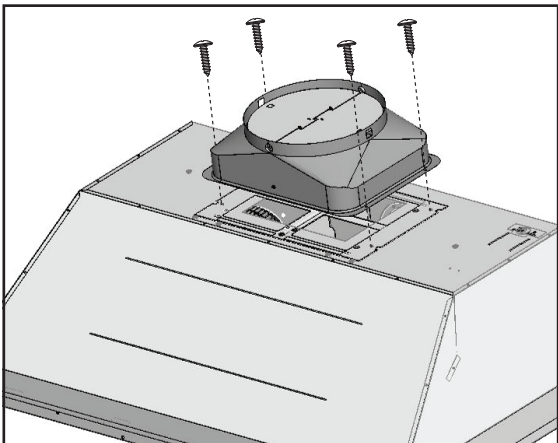
2. Remove grease tray by: 1) Pulling up on tray to release from bottom panel. 2) Lifting tray out of insert body.



3. Remove left and right side spacer panels by removing (2) screws from behind each panel.



4. Remove bottom panel by: 1) Removing (2) screws from left and right sides of bottom panel. 2) Pulling bottom panel toward front of insert to release from locking tabs.

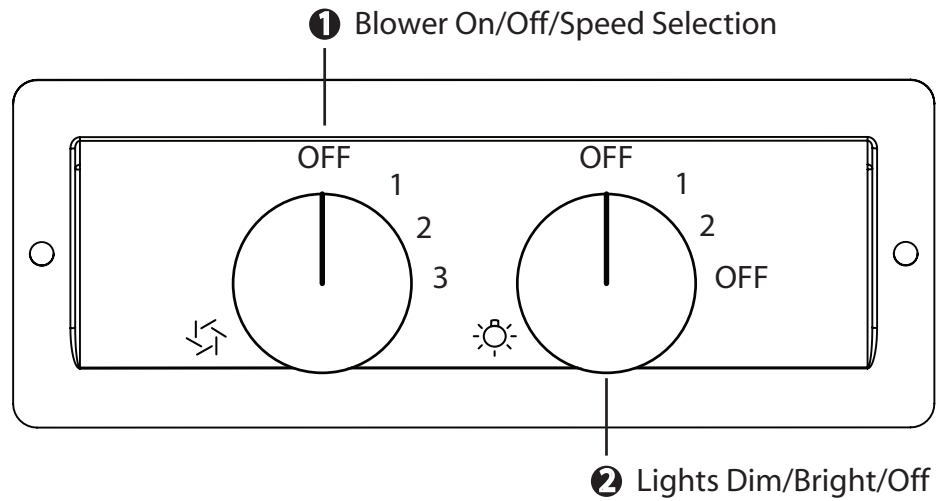


5. Secure 10" round ducting collar to top of insert by (4) M4 x 6mm screws.



6. Hood preparation is complete. Refer to page 10, step 4 to complete installation.

## Controls – Rotary Controls



**1** Blower On/Off/Speed Selection

Rotate dial to change speed levels, (1) for low speed, (2) for medium speed and (3) for high :

**2** Lights Dim/Bright/Off

Rotate dial to change light settings, (1) for dim light and (2) for bright light

**SURFACE MAINTENANCE:**

Do not use corrosive detergents, abrasive detergents or oven cleaners.  
 Do not use any product containing chlorine bleach or any product containing chloride.  
 Do not use steel wool or abrasive scrubbing pads which will scratch and damage surface.

**Cleaning Stainless Steel**

Clean periodically with warm soapy water and clean cotton cloth or micro fiber cloth. Always rub in the direction of the stainless steel grain. To remove heavier grease build up use a liquid degreaser detergent.

After cleaning use a non-abrasive stainless steel polish/cleaners, to polish and buff out the stainless luster and grain. Always scrub lightly, with clean cotton cloth or micro fiber cloth and buff in the direction of the stainless steel grain.

**Cleaning the Baffle Filters**

The filters are intended to trap residue and grease from cooking. Although the filters should never need replacing, they are required to be cleaned every 30 days or more often depending on cooking habits.

Filters may be placed in dishwasher at low heat or soaked in hot soapy water. Dry filters and re-install before using hood.

**Installing the Baffle Filters, FIG 5:**

1. Place filter into top groove of the insert as shown and pull towards front of insert using handles.
2. Pivot back of filter upwards so it is angled in the insert.
3. Push filter into channel on back of insert to lock into place.

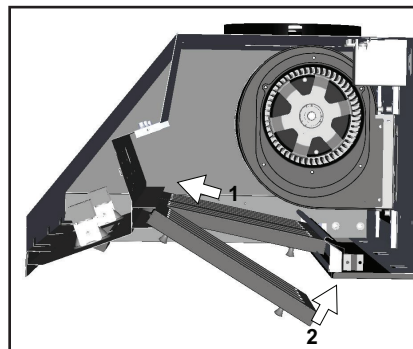


FIG. 5

**Cleaning the Grease Tray**

The grease tray is intended to catch residue and grease that may drip from the baffle filters. The grease tray should be cleaned when baffle filters are cleaned. Clean the grease tray by soaking in hot soapy water and gently scrubbing any residue off with a soft terry cloth. Dry grease tray and re-install before using hood.

**Removing the Grease Tray**

Grease tray has a hooked lip that attaches to bottom panel top edge.

Remove grease tray by:

1. Pull up on tray to release from bottom panel. FIG. 6-1
2. Pull tray out of insert body. FIG. 6-2

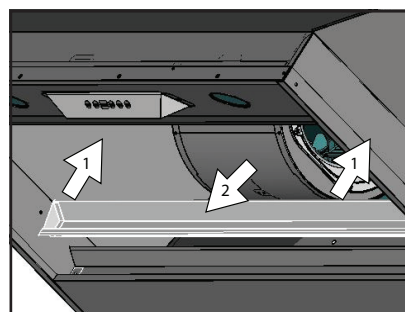


FIG. 6

## REPLACING LIGHT BULBS

**CAUTION:** Light bulb becomes extremely hot when turned on.

**DO NOT** touch bulb until switched off and cooled. Touching hot bulbs could cause serious burns.

Make sure all power is turned off and bulbs are not hot.

Remove by turning bulb counter clockwise. FIG 7. **Note:** Bulb does not unscrew; it turns 60 degrees, stops and falls out.

If bulbs are difficult to turn due to prolonged use, firmly attach the glass suction cup provided to the bulb or use a rubber/ latex glove and turn counter clockwise.

### Directional Lighting

The light bulbs can be tilted forwards and backwards to better direct light over your cooking surface. FIG 8.

**WARNING:** Only direct the bulbs when they are cool to the touch.

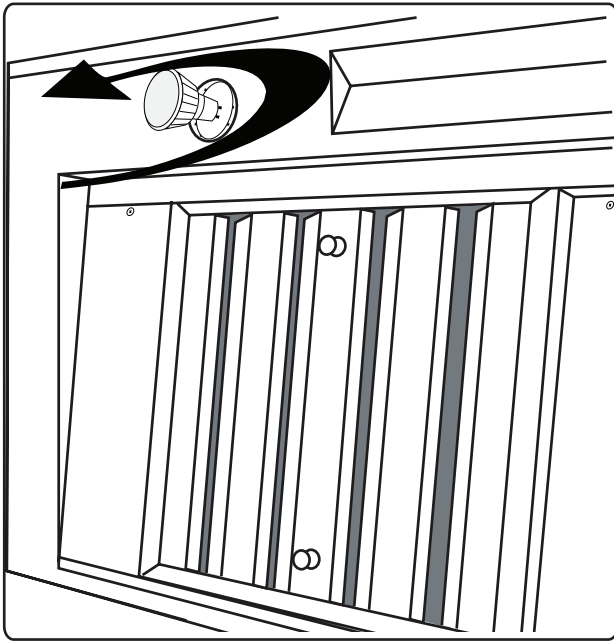


FIG. 7

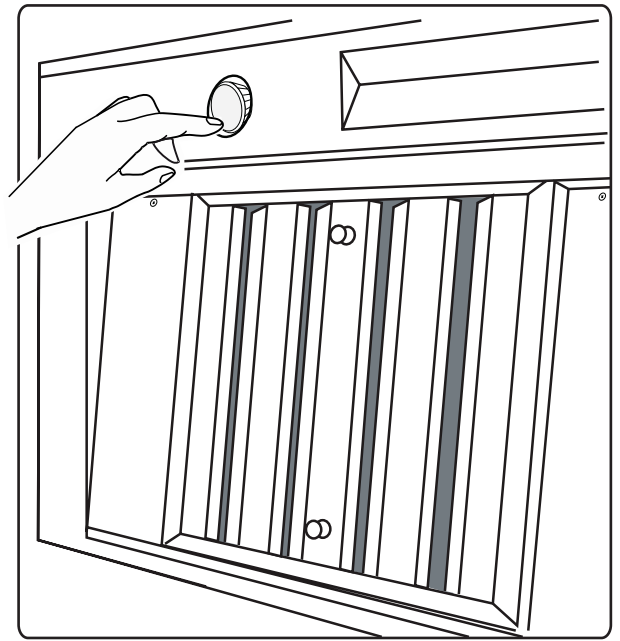


FIG. 8

## REPLACEMENT PARTS

### DESCRIPTION

### PART #

Light Bulb MR16 (GU10) 35W (each)

Z0B0023

Optional LED Light Bulb (GU10) 6W (each)

Z0B0040

Pro Baffle Filter (each)

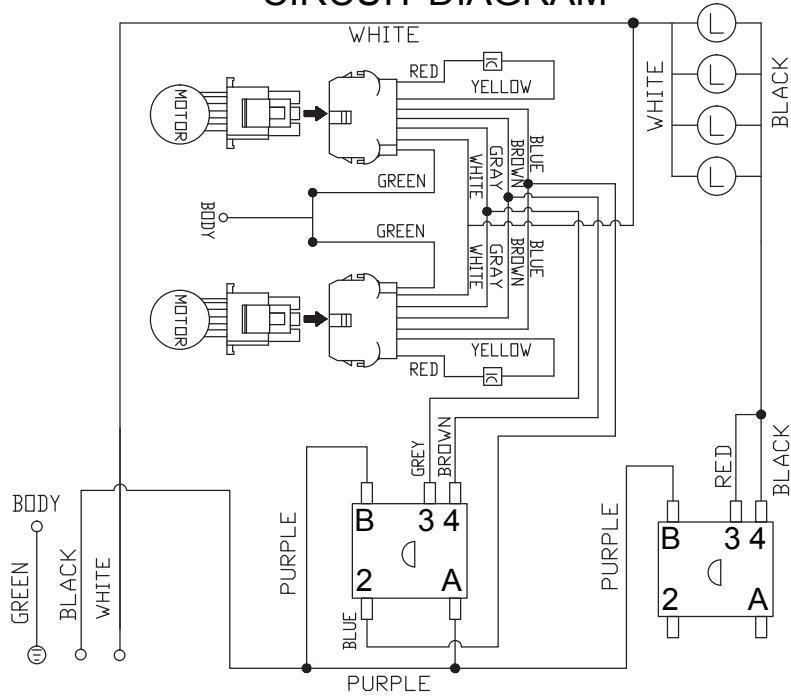
50210031

To order parts, visit us online at <http://store.zephyronline.com> or call us at 1.888.880.8368

USE ONLY TYPE MR16, GU10, 35W. **MAX.** HALOGEN LIGHT BULBS.

AK9834AS, AK9840AS	VOLTS	HZ	MAX AMPS
AK9846AS, AK9858AS	120	60	Dual Motor 9

### CIRCUIT DIAGRAM



REMARKS:CONDENSER 22uF 250VAC 2PCS FIT AC120V 60Hz

## Wiring Diagram

# Troubleshooting

## TROUBLESHOOTING PROCEDURES FOR SPRUCE

Issue	Cause	What to do
After installation, the unit doesn't work.	1. The power source is not turned ON.	1. Make sure the circuit breaker and the unit's power is ON.
	2. The power line and the cable locking connector is not connecting properly.	2. Check the power connection with the unit is connected properly.
	3. The switch board and control board wirings are disconnected.	3. Make sure the wirings between the switch board and control board are connected properly.
	4. The wires on control board are loose.	4. Make sure the wires on the control board are connected properly.
	5. The switch board or control board is defective.	5. Change the switch board or control board.
Light works, but blower is not turning.	1. The blower wire is not connected.	1. Make sure the blower wire is plugged into the molex connector.
	2. The thermally protected system detects if the blower is too hot to operate and shuts the blower down.	2. The blower will function properly after the thermally protected system cool down.
	3. Damaged capacitor.	3. Change the capacitor.
	4. Blower molex plug pin is not making contact.	4. Disconnect the blower molex plug, check pins inside plug to see if pin is pushed inside plug too far. Reseat pin if needed.
	5. The blower is defective, possibly seized.	5. Change the blower.
The unit is vibrating.	1. The blower is not secure in place.	1. Tighten the blower in place.
	2. The hood is not secured in place.	2. Check the installation of the hood.
	3. Damaged blower wheel.	3. Change the blower.
The unit is whistling.	1. The filter is not in the correct position.	1. Adjust the filters until the whistling stops.
	2. The duct pipe connections are not sealed or connected properly.	2. Check the duct pipe connections to be sure all connections are sealed properly.
The blower is working, but the lights are not.	1. Defective halogen bulb.	1. Change the halogen bulb.
	2. The light bulb is loose.	2. Tighten the light bulb.
	3. The light bulb plug is disconnected.	3. Connect the light bulb plug.
The hood is not venting out properly.	1. The hood might be hanging too high from the cook top.	1. Adjust the distance between the cook top and the bottom of the hood within 30" and 36" range.
	2. The wind from the opened windows or opened doors in the surrounding area are affecting the ventilation of the hood.	2. Close all the windows and doors to eliminate the outside wind flow.
	3. Blockage in the duct opening or duct work.	3. Remove all the blocking from the duct work or duct opening.
	4. The direction of duct opening is against the wind.	4. Adjust the duct opening direction.
	5. Using the wrong size of ducting.	5. Change the ducting to correct size.
Filter is vibrating.	1. Filter is loose.	1. Adjust or change the filter.
	2. Spring clip is broken inside filter opening.	2. Change the spring clip.



**STAPLE YOUR RECEIPT HERE**  
**Proof of the original purchase date is needed to obtain service under warranty**

**TO OBTAIN SERVICE UNDER WARRANTY OR FOR ANY SERVICE RELATED QUESTIONS, please call:**  
**1-888-880-8368**

Zephyr Ventilation, LLC (referred to herein as “we” or “us”) warrants to the original consumer purchaser (referred to herein as “you” or “your”) of Zephyr products (the “Products”) that such Products will be free from defects in materials or workmanship as follows:

**Three Year Limited Warranty for Parts:** For three years from the date of your original purchase of the Products, we will provide, free of charge, Products or parts (including LED light bulbs, if applicable) to replace those that failed due to manufacturing defects subject to the exclusions and limitations below. We may choose, in our sole discretion, to repair or replace parts before we elect to replace the Products.

**One Year Limited Warranty for Labor:** For one year from the date of your original purchase of the Products, we will provide, free of charge, the labor cost associated with repairing the Products or parts to replace those that failed due to manufacturing defects subject to the exclusions and limitations below. After the first year from the date of your original purchase, you are responsible for all labor costs associated with this warranty.

**Warranty Exclusions:** This warranty covers only repair or replacement, at our option, of defective Products or parts and does not cover any other costs related to the Products including but not limited to: (a) normal maintenance and service required for the Products and consumable parts such as fluorescent, incandescent or halogen light bulbs, mesh and charcoal filters and fuses; (b) any Products or parts which have been subject to freight damage, misuse, negligence, accident, faulty installation or installation contrary to recommended installation instructions, improper maintenance or repair (other than by us); (c) commercial or government use of the Products or use otherwise inconsistent with its intended purpose; (d) natural wear of the finish of the Products or wear caused by improper maintenance, use of corrosive and abrasive cleaning products, pads, and oven cleaner products; (e) chips, dents or cracks caused by abuse or misuse of the Products; (f) service trips to your home to teach you how to use the Products; (g) damage to the Products caused by accident, fire, floods, acts of God; or (h) Custom installations or alterations that impact serviceability of the Products. If you are outside our service area, additional charges may apply for shipping costs for warranty repair at our designated service locations and for the travel cost to have a service technician come to your home to repair, remove or reinstall the Products. After the first year from the date of your original purchase, you are also responsible for all labor costs associated with this warranty. All Products must be installed by a qualified professional installer to be eligible for warranty repairs or service.

**Limitations of Warranty. OUR OBLIGATION TO REPAIR OR REPLACE, AT OUR OPTION, SHALL BE YOUR SOLE AND EXCLUSIVE REMEDY UNDER THIS WARRANTY. WE SHALL NOT BE LIABLE FOR INCIDENTAL, CONSEQUENTIAL OR SPECIAL DAMAGES ARISING OUT OF OR IN CONNECTION WITH THE USE OR PERFORMANCE OF THE PRODUCTS. THE EXPRESS WARRANTIES IN THE PRECEDING SECTION ARE EXCLUSIVE AND IN LIEU OF ALL OTHER EXPRESS WARRANTIES. WE HEREBY DISCLAIM AND EXCLUDE ALL OTHER EXPRESS WARRANTIES FOR THE PRODUCTS, AND DISCLAIM AND EXCLUDE ALL WARRANTIES IMPLIED BY LAW, INCLUDING THOSE OF MERCHANTABILITY AND FITNESS FOR A PARTICULAR PURPOSE.**

Some states or provinces do not allow limitations on the duration of an implied warranty or the exclusion or limitation of incidental or consequential damages, so the above limitations or exclusions may not apply to you. To the extent that applicable law prohibits the exclusion of implied warranties, the duration of any applicable implied warranty is limited to the same three-year and one-year periods described above if permitted by applicable law. Any oral or written description of the Products is for the sole purpose of identifying the Products and shall not be construed as an express warranty. Prior to using, implementing or permitting use of the Products, you shall determine the suitability of the Products for the intended use, and you shall assume all risk and liability whatsoever in connection with such determination. We reserve the right to use functionally equivalent refurbished or reconditioned parts or Products as warranty replacements or as part of warranty service. This warranty is not transferable from the original purchaser and only applies to the consumer residence where the Product was originally installed located in the United States and Canada. This warranty is not extended to resellers.

**To Obtain Service Under Limited Warranty:** To qualify for warranty service, you must: (a) notify us at the address or telephone number stated below within 60 days of the discovery of the defect; (b) give the model number and serial number; and (c) describe the nature of any defect in the Product or part. At the time of the request for warranty service, you must present evidence of your proof of purchase and proof of the original purchase date. If we determine that the warranty exclusions listed above apply or if you fail to provide the necessary documentation to obtain service, you will be responsible for all shipping, travel, labor and other costs related to the services. This warranty is not extended or restarted upon warranty repair or replacements.

Please check our website for any additional Product information, [www.zephyronline.com](http://www.zephyronline.com).

**Zephyr Ventilation Service Department, 2277 Harbor Bay Parkway, Alameda, CA 94502 1-888-880-8368**

# PRODUCT REGISTRATION

Congratulations on your Zephyr range hood purchase! Please take a moment to register your new range hood at [www.zephyronline.com/registration](http://www.zephyronline.com/registration)

## IT'S IMPORTANT

Prompt registration helps in more ways than one.

- Ensures warranty coverage should you need service.
- Ownership verification for insurance purposes.
- Notification of product changes or recalls.



Zephyr Ventilation | 2277 Harbor Bay Pkwy. | Alameda, CA 94502 | 1.888.880.8368